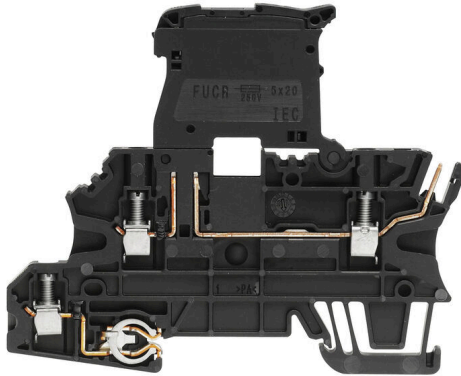


WMF 2.5 FU BLZ PE SW**Weidmüller Interface GmbH & Co. KG**Klingenbergstraße 26
D-32758 Detmold
Germany

www.weidmueller.com

Product image

In process control systems for facilities in the process and power generation sectors, incoming signals from field devices are often connected with terminal blocks in marshalling cabinets. Terminal blocks are used despite the existence of alternative technologies such as Remote I/O and Fieldbus. This is mainly because they offer a sturdy and simple connection system, and because they are clearly arranged. Our WMF (Weidmüller Multi Funktional) line of terminal blocks provide a multi-functional solution for marshalling signals.

General ordering data

| | |
|------------|--|
| Version | Fuse terminal, Screw connection, black, 2.5 mm ² , 6.3 A, 250 V, Number of connections: 4, Number of levels: 3, TS 35 |
| Order No. | 1162820000 |
| Type | WMF 2.5 FU BLZ PE SW |
| GTIN (EAN) | 4032248992171 |
| Qty. | 50 items |

WMF 2.5 FU BLZ PE SW

Weidmüller Interface GmbH & Co. KG
 Klingenbergstraße 26
 D-32758 Detmold
 Germany

www.weidmueller.com

Technical data

Approvals

Approvals



ROHS Conform

UL File Number Search [UL Website](#)

Certificate No. (cURus) E60693

Dimensions and weights

| | | | |
|--------------------------|-------------|----------------|-------------|
| Depth | 74 mm | Depth (inches) | 2.9134 inch |
| Depth including DIN rail | 74.5 mm | Height | 90 mm |
| Height (inches) | 3.5433 inch | Width | 5.08 mm |
| Width (inches) | 0.2 inch | Net weight | 19.1 g |

Temperatures

| | | | |
|----------------------------------|----------------|----------------------------------|----------------|
| Storage temperature | -25 °C...55 °C | Ambient temperature | -50 °C...75 °C |
| Continuous operating temp., min. | -50 °C | Continuous operating temp., max. | 120 °C |

Environmental Product Compliance

| | |
|------------------------|-----------------------------|
| RoHS Compliance Status | Compliant without exemption |
| REACH SVHC | No SVHC above 0.1 wt% |

Material data

| | | | |
|---------------------------|-------|--------|-------|
| Basic material | Wemid | Colour | black |
| UL 94 flammability rating | V-0 | | |

System specifications

| | | | |
|-----------------------------------|---|--------------------------|-----|
| Version | 2 screw connections - 1 plug-in connection, Fuse isolator, With PE connection, for plug-in cross-connector, One end without connector | End cover plate required | Yes |
| Number of potentials | 2 | Number of levels | 3 |
| Levels cross-connected internally | Yes | PE connection | Yes |
| Mounting rail | TS 35 | PE function | Yes |

Additional technical data

| | | | |
|------------|-------|------------------|---------|
| Open sides | right | Type of mounting | Snap-on |
|------------|-------|------------------|---------|

CSA rating data

| | | | |
|-------------------------------|--------|-----------------------|----------------|
| Wire cross section max. (CSA) | 12 AWG | Certificate No. (CSA) | 200039-1057876 |
| Voltage size B (CSA) | 300 V | Current size B (CSA) | 17 A |
| Voltage size D (CSA) | 300 V | Current size D (CSA) | 10 A |
| Wire cross section min. (CSA) | 26 AWG | | |

WMF 2.5 FU BLZ PE SW

Weidmüller Interface GmbH & Co. KG
 Klingenbergstraße 26
 D-32758 Detmold
 Germany

www.weidmueller.com

Technical data

Conductors for clamping (additional connection)

Connection type, additional connection Plug-in connection

Conductors for clamping (rated connection)

| | | | |
|---|---------------------|---|---------------------|
| Gauge to IEC 60947-1 | A3 | Wire connection cross section AWG, max. | AWG 12 |
| Connection direction | on side | Tightening torque, max. | 0.6 Nm |
| Tightening torque, min. | 0.5 Nm | Stripping length | 10 mm |
| Type of connection 2 | Plug-in connection | Type of connection | Screw connection |
| Number of connections | 4 | Clamping range, max. | 4 mm ² |
| Clamping range, min. | 0.5 mm ² | Clamping screw | M 3 |
| Blade size | 0.6 x 3.5 mm | Wire connection cross section AWG, min. | AWG 26 |
| Wire connection cross-section, finely stranded with wire-end ferrules DIN 46228/4, max. | 2.5 mm ² | Wire connection cross-section, finely stranded with wire-end ferrules DIN 46228/4, min. | 0.5 mm ² |
| Wire connection cross-section, finely stranded with wire-end ferrules DIN 46228/1, max. | 2.5 mm ² | Wire connection cross-section, finely stranded with wire-end ferrules DIN 46228/1, min. | 0.5 mm ² |
| Wire connection cross section, finely stranded, max. | 4 mm ² | Wire connection cross section, finely stranded, min. | 0.5 mm ² |
| Connection cross-section, stranded, max. | 4 mm ² | Connection cross-section, stranded, min. | 0.5 mm ² |
| Wire connection cross-section, solid core, max. | 4 mm ² | Wire connection cross-section, solid core, min. | 0.5 mm ² |
| Connection cross-section, finely stranded, min. | 0.5 mm ² | | |

General

| | | | |
|---|---|---|--------|
| Wire connection cross section AWG, max. | AWG 12 | Wire connection cross section AWG, min. | AWG 26 |
| Standards | IEC 60947-7-2, IEC 61984, In accordance with IEC 60947-7-1, IEC 60947-7-3 | Mounting rail | TS 35 |

Rating data

| | | | |
|--|---------------------|---------------------------------|---|
| Rated cross-section | 2.5 mm ² | Rated voltage | 250 V |
| Rated DC voltage | 250 V | Nominal current | 6.3 A |
| Current at maximum wires | 6.3 A | Standards | IEC 60947-7-2, IEC 61984, In accordance with IEC 60947-7-1, IEC 60947-7-3 |
| Volume resistance according to IEC 60947-7-x | 1.33 mΩ | Rated impulse withstand voltage | 8 kV |
| Power loss in accordance with IEC 60947-7-x | 0.77 W | Surge voltage category | III |
| Pollution severity | 3 | | |

UL rating data

| | | | |
|--|--------|--|--------|
| Conductor size Factory wiring max. (cURus) | 12 AWG | Voltage size B (cURus) | 300 V |
| Voltage size D (cURus) | 300 V | Wire cross section max. (cURus) | 12 AWG |
| Certificate No. (cURus) | E60693 | Wire cross section min. (cURus) | 26 AWG |
| Conductor size Field wiring min. (cURus) | 26 AWG | Conductor size Factory wiring min. (cURus) | 26 AWG |

WMF 2.5 FU BLZ PE SW

Weidmüller Interface GmbH & Co. KG
Klingenbergstraße 26
D-32758 Detmold
Germany

www.weidmueller.com

Technical data

| | | | |
|---|------|------------------------|------|
| Current size B (cURus) | 17 A | Current size D (cURus) | 10 A |
| Conductor size Field wiring max. (cURus) 12 AWG | | | |

Classifications

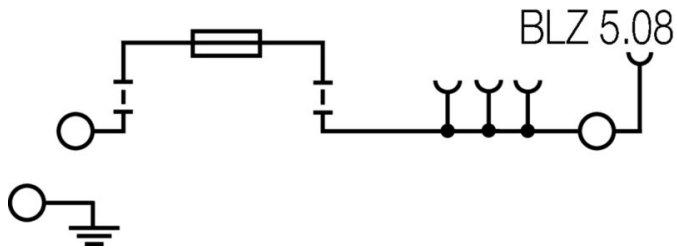
| | | | |
|-------------|-------------|-------------|-------------|
| ETIM 8.0 | EC000899 | ETIM 9.0 | EC000899 |
| ETIM 10.0 | EC000899 | ECLASS 14.0 | 27-25-01-13 |
| ECLASS 15.0 | 27-25-01-13 | | |

WMF 2.5 FU BLZ PE SW

Weidmüller Interface GmbH & Co. KG
Klingenbergstraße 26
D-32758 Detmold
Germany

www.weidmueller.com

Drawings



WMF 2.5 FU BLZ PE SW

Weidmüller Interface GmbH & Co. KG
 Klingenbergstraße 26
 D-32758 Detmold
 Germany

www.weidmueller.com

Accessories

Accessories



The comprehensive accessories of the Klippon® Connect portfolio are perfectly matched down to the last detail. This facilitates mounting while adhering to required norms

General ordering data

| | | | |
|------------|----------------------------|--|--|
| Type | AP WMF2.5 | Version | |
| Order No. | 1142990000 | End plate for terminals, beige, Height: 87.25 mm, Width: 1.5 mm, | |
| GTIN (EAN) | 4032248925889 | V-0, Wemid, Snap-on: Yes | |
| Qty. | 50 ST | | |

End bracket



Weidmüller's range of products includes end brackets that guarantee a permanent, reliable mounting on the terminal rail and prevent sliding. Versions with and without screws are available. The end brackets include marking options, also for group markers, and also a test plug holder.

General ordering data

| | | | |
|------------|----------------------------|--|--|
| Type | WEW 35/2 | Version | |
| Order No. | 1061200000 | End bracket, dark beige, TS 35, HB, Wemid, Width: 8 mm, 100 °C | |
| GTIN (EAN) | 4008190030230 | | |
| Qty. | 50 ST | | |

Accessories



The comprehensive accessories of the Klippon® Connect portfolio are perfectly matched down to the last detail. This facilitates mounting while adhering to required norms

General ordering data

| | | | |
|------------|----------------------------|---|--|
| Type | WBB WMF2.5 BLZ | Version | |
| Order No. | 1142980000 | Partition plate (terminal), dark beige, Height: 88.5 mm, Width: 5.08 mm, V-0, Wemid | |
| GTIN (EAN) | 4032248925896 | | |
| Qty. | 10 ST | | |

WMF 2.5 FU BLZ PE SW

Weidmüller Interface GmbH & Co. KG
Klingenbergstraße 26
D-32758 Detmold
Germany

www.weidmueller.com

Accessories

| | | |
|------------|----------------------------|---|
| Type | IL WMF2.5 BLZ OR | Version |
| Order No. | 1167440000 | Locking clips (terminal), PA 66, orange |
| GTIN (EAN) | 4032248958474 | |
| Qty. | 50 ST | |

Slotted screwdriver



Slotted screwdriver with rounded blade SD DIN 5265, ISO 2380/2, output to DIN 5264, ISO 2380/1. ChromTop tip, SoftFinish grip

General ordering data

| | | |
|------------|----------------------------|--------------------------|
| Type | SDS 0.6X3.5X100 | Version |
| Order No. | 9008330000 | Screwdriver, Screwdriver |
| GTIN (EAN) | 4032248056286 | |
| Qty. | 1 ST | |

BLZP 5.08HC/90 SN



Female plugs with clamping-yoke connection for connecting wires with a right-angle (90° or 270°) outlet direction. The female connectors provide space for labelling and can be coded. Fastened by means of a flange or release latch. They also provide an integrated plus/minus screw, protection against faulty insertion of the wire, and they are delivered with open clamping yokes. HC = High Current.

General ordering data

| | | |
|------------|----------------------------|---|
| Type | BLZP 5.08HC/02/90 SN BK... | Version |
| Order No. | 1948240000 | PCB plug-in connector, female plug, 5.08 mm, Number of poles: 2, 90°, Clamping yoke connection, Clamping range, max. : 4 mm², Box |
| GTIN (EAN) | 4032248624768 | |
| Qty. | 180 ST | |
| Type | BLZP 5.08HC/02/90 SN OR... | Version |
| Order No. | 1948000000 | PCB plug-in connector, female plug, 5.08 mm, Number of poles: 2, 90°, Clamping yoke connection, Clamping range, max. : 4 mm², Box |
| GTIN (EAN) | 4032248624225 | |
| Qty. | 180 ST | |
| Type | BLZP 5.08HC/03/90 SN BK... | Version |
| Order No. | 1948250000 | PCB plug-in connector, female plug, 5.08 mm, Number of poles: 3, 90°, Clamping yoke connection, Clamping range, max. : 4 mm², Box |
| GTIN (EAN) | 4032248624775 | |
| Qty. | 120 ST | |
| Type | BLZP 5.08HC/03/90 SN OR... | Version |
| Order No. | 1948010000 | PCB plug-in connector, female plug, 5.08 mm, Number of poles: 3, 90°, Clamping yoke connection, Clamping range, max. : 4 mm², Box |
| GTIN (EAN) | 4032248624232 | |
| Qty. | 120 ST | |

WMF 2.5 FU BLZ PE SW

Weidmüller Interface GmbH & Co. KG
 Klingenbergstraße 26
 D-32758 Detmold
 Germany

Accessories

www.weidmueller.com

| | | |
|------------|----------------------------|---|
| Type | BLZP 5.08HC/04/90 SN BK... | Version |
| Order No. | 1948260000 | PCB plug-in connector, female plug, 5.08 mm, Number of poles: 4, |
| GTIN (EAN) | 4032248624782 | 90°, Clamping yoke connection, Clamping range, max. : 4 mm², Box |
| Qty. | 90 ST | |
| Type | BLZP 5.08HC/04/90 SN OR... | Version |
| Order No. | 1948020000 | PCB plug-in connector, female plug, 5.08 mm, Number of poles: 4, |
| GTIN (EAN) | 4032248624249 | 90°, Clamping yoke connection, Clamping range, max. : 4 mm², Box |
| Qty. | 90 ST | |
| Type | BLZP 5.08HC/05/90 SN BK... | Version |
| Order No. | 1948270000 | PCB plug-in connector, female plug, 5.08 mm, Number of poles: 5, |
| GTIN (EAN) | 4032248624799 | 90°, Clamping yoke connection, Clamping range, max. : 4 mm², Box |
| Qty. | 72 ST | |
| Type | BLZP 5.08HC/05/90 SN OR... | Version |
| Order No. | 1948030000 | PCB plug-in connector, female plug, 5.08 mm, Number of poles: 5, |
| GTIN (EAN) | 4032248624256 | 90°, Clamping yoke connection, Clamping range, max. : 4 mm², Box |
| Qty. | 72 ST | |
| Type | BLZP 5.08HC/06/90 SN BK... | Version |
| Order No. | 1948280000 | PCB plug-in connector, female plug, 5.08 mm, Number of poles: 6, |
| GTIN (EAN) | 4032248624805 | 90°, Clamping yoke connection, Clamping range, max. : 4 mm², Box |
| Qty. | 60 ST | |
| Type | BLZP 5.08HC/06/90 SN OR... | Version |
| Order No. | 1948040000 | PCB plug-in connector, female plug, 5.08 mm, Number of poles: 6, |
| GTIN (EAN) | 4032248624263 | 90°, Clamping yoke connection, Clamping range, max. : 4 mm², Box |
| Qty. | 60 ST | |
| Type | BLZP 5.08HC/07/90 SN BK... | Version |
| Order No. | 1948290000 | PCB plug-in connector, female plug, 5.08 mm, Number of poles: 7, |
| GTIN (EAN) | 4032248624812 | 90°, Clamping yoke connection, Clamping range, max. : 4 mm², Box |
| Qty. | 48 ST | |
| Type | BLZP 5.08HC/07/90 SN OR... | Version |
| Order No. | 1948050000 | PCB plug-in connector, female plug, 5.08 mm, Number of poles: 7, |
| GTIN (EAN) | 4032248624270 | 90°, Clamping yoke connection, Clamping range, max. : 4 mm², Box |
| Qty. | 48 ST | |
| Type | BLZP 5.08HC/08/90 SN BK... | Version |
| Order No. | 1948300000 | PCB plug-in connector, female plug, 5.08 mm, Number of poles: 8, |
| GTIN (EAN) | 4032248624829 | 90°, Clamping yoke connection, Clamping range, max. : 4 mm², Box |
| Qty. | 42 ST | |
| Type | BLZP 5.08HC/08/90 SN OR... | Version |
| Order No. | 1948060000 | PCB plug-in connector, female plug, 5.08 mm, Number of poles: 8, |
| GTIN (EAN) | 4032248624287 | 90°, Clamping yoke connection, Clamping range, max. : 4 mm², Box |
| Qty. | 42 ST | |
| Type | BLZP 5.08HC/09/90 SN BK... | Version |
| Order No. | 1948310000 | PCB plug-in connector, female plug, 5.08 mm, Number of poles: 9, |
| GTIN (EAN) | 4032248624836 | 90°, Clamping yoke connection, Clamping range, max. : 4 mm², Box |
| Qty. | 36 ST | |
| Type | BLZP 5.08HC/09/90 SN OR... | Version |
| Order No. | 1948070000 | PCB plug-in connector, female plug, 5.08 mm, Number of poles: 9, |
| GTIN (EAN) | 4032248624294 | 90°, Clamping yoke connection, Clamping range, max. : 4 mm², Box |
| Qty. | 36 ST | |
| Type | BLZP 5.08HC/10/90 SN BK... | Version |
| Order No. | 1948320000 | PCB plug-in connector, female plug, 5.08 mm, Number of poles: 10, |
| GTIN (EAN) | 4032248624843 | 90°, Clamping yoke connection, Clamping range, max. : 4 mm², Box |
| Qty. | 36 ST | |

WMF 2.5 FU BLZ PE SW

Weidmüller Interface GmbH & Co. KG
 Klingenbergstraße 26
 D-32758 Detmold
 Germany

www.weidmueller.com

Accessories

| | | |
|------------|----------------------------|---|
| Type | BLZP 5.08HC/10/90 SN OR... | Version |
| Order No. | 1948080000 | PCB plug-in connector, female plug, 5.08 mm, Number of poles: 10, |
| GTIN (EAN) | 4032248624300 | 90°, Clamping yoke connection, Clamping range, max. : 4 mm ² , Box |
| Qty. | 36 ST | |
| Type | BLZP 5.08HC/11/90 SN BK... | Version |
| Order No. | 1948330000 | PCB plug-in connector, female plug, 5.08 mm, Number of poles: 11, |
| GTIN (EAN) | 4032248624850 | 90°, Clamping yoke connection, Clamping range, max. : 4 mm ² , Box |
| Qty. | 30 ST | |
| Type | BLZP 5.08HC/11/90 SN OR... | Version |
| Order No. | 1948100000 | PCB plug-in connector, female plug, 5.08 mm, Number of poles: 11, |
| GTIN (EAN) | 4032248624522 | 90°, Clamping yoke connection, Clamping range, max. : 4 mm ² , Box |
| Qty. | 30 ST | |
| Type | BLZP 5.08HC/12/90 SN BK... | Version |
| Order No. | 1948340000 | PCB plug-in connector, female plug, 5.08 mm, Number of poles: 12, |
| GTIN (EAN) | 4032248624867 | 90°, Clamping yoke connection, Clamping range, max. : 4 mm ² , Box |
| Qty. | 30 ST | |
| Type | BLZP 5.08HC/12/90 SN OR... | Version |
| Order No. | 1948110000 | PCB plug-in connector, female plug, 5.08 mm, Number of poles: 12, |
| GTIN (EAN) | 4032248624539 | 90°, Clamping yoke connection, Clamping range, max. : 4 mm ² , Box |
| Qty. | 30 ST | |
| Type | BLZP 5.08HC/13/90 SN BK... | Version |
| Order No. | 1948350000 | PCB plug-in connector, female plug, 5.08 mm, Number of poles: 13, |
| GTIN (EAN) | 4032248624874 | 90°, Clamping yoke connection, Clamping range, max. : 4 mm ² , Box |
| Qty. | 24 ST | |
| Type | BLZP 5.08HC/13/90 SN OR... | Version |
| Order No. | 1948120000 | PCB plug-in connector, female plug, 5.08 mm, Number of poles: 13, |
| GTIN (EAN) | 4032248624546 | 90°, Clamping yoke connection, Clamping range, max. : 4 mm ² , Box |
| Qty. | 24 ST | |
| Type | BLZP 5.08HC/14/90 SN BK... | Version |
| Order No. | 1948360000 | PCB plug-in connector, female plug, 5.08 mm, Number of poles: 14, |
| GTIN (EAN) | 4032248624881 | 90°, Clamping yoke connection, Clamping range, max. : 4 mm ² , Box |
| Qty. | 24 ST | |
| Type | BLZP 5.08HC/14/90 SN OR... | Version |
| Order No. | 1948130000 | PCB plug-in connector, female plug, 5.08 mm, Number of poles: 14, |
| GTIN (EAN) | 4032248624553 | 90°, Clamping yoke connection, Clamping range, max. : 4 mm ² , Box |
| Qty. | 24 ST | |
| Type | BLZP 5.08HC/15/90 SN BK... | Version |
| Order No. | 1948370000 | PCB plug-in connector, female plug, 5.08 mm, Number of poles: 15, |
| GTIN (EAN) | 4032248624898 | 90°, Clamping yoke connection, Clamping range, max. : 4 mm ² , Box |
| Qty. | 24 ST | |
| Type | BLZP 5.08HC/15/90 SN OR... | Version |
| Order No. | 1948140000 | PCB plug-in connector, female plug, 5.08 mm, Number of poles: 15, |
| GTIN (EAN) | 4032248624560 | 90°, Clamping yoke connection, Clamping range, max. : 4 mm ² , Box |
| Qty. | 24 ST | |
| Type | BLZP 5.08HC/16/90 SN BK... | Version |
| Order No. | 1948380000 | PCB plug-in connector, female plug, 5.08 mm, Number of poles: 16, |
| GTIN (EAN) | 4032248624904 | 90°, Clamping yoke connection, Clamping range, max. : 4 mm ² , Box |
| Qty. | 18 ST | |
| Type | BLZP 5.08HC/16/90 SN OR... | Version |
| Order No. | 1948150000 | PCB plug-in connector, female plug, 5.08 mm, Number of poles: 16, |
| GTIN (EAN) | 4032248624577 | 90°, Clamping yoke connection, Clamping range, max. : 4 mm ² , Box |
| Qty. | 18 ST | |

WMF 2.5 FU BLZ PE SW

Weidmüller Interface GmbH & Co. KG
 Klingenbergstraße 26
 D-32758 Detmold
 Germany

Accessories

www.weidmueller.com

BLZP 5.08HC/90F SN



Female plugs with clamping-yoke connection for connecting wires with a right-angle (90° or 270°) outlet direction. The female connectors provide space for labelling and can be coded. Fastened by means of a flange or release latch. They also provide an integrated plus/minus screw, protection against faulty insertion of the wire, and they are delivered with open clamping yokes. HC = High Current.

General ordering data

| | | |
|------------|----------------------------|---|
| Type | BLZP 5.08HC/02/90F SN B... | Version |
| Order No. | 1950040000 | PCB plug-in connector, female plug, 5.08 mm, Number of poles: 2, |
| GTIN (EAN) | 4032248627974 | 90°, Clamping yoke connection, Clamping range, max. : 4 mm ² , Box |
| Qty. | 90 ST | |
| Type | BLZP 5.08HC/02/90F SN O... | Version |
| Order No. | 1949800000 | PCB plug-in connector, female plug, 5.08 mm, Number of poles: 2, |
| GTIN (EAN) | 4032248627721 | 90°, Clamping yoke connection, Clamping range, max. : 4 mm ² , Box |
| Qty. | 90 ST | |
| Type | BLZP 5.08HC/03/90F SN B... | Version |
| Order No. | 1950050000 | PCB plug-in connector, female plug, 5.08 mm, Number of poles: 3, |
| GTIN (EAN) | 4032248627981 | 90°, Clamping yoke connection, Clamping range, max. : 4 mm ² , Box |
| Qty. | 72 ST | |
| Type | BLZP 5.08HC/03/90F SN O... | Version |
| Order No. | 1949810000 | PCB plug-in connector, female plug, 5.08 mm, Number of poles: 3, |
| GTIN (EAN) | 4032248627738 | 90°, Clamping yoke connection, Clamping range, max. : 4 mm ² , Box |
| Qty. | 72 ST | |
| Type | BLZP 5.08HC/04/90F SN B... | Version |
| Order No. | 1950060000 | PCB plug-in connector, female plug, 5.08 mm, Number of poles: 4, |
| GTIN (EAN) | 4032248627998 | 90°, Clamping yoke connection, Clamping range, max. : 4 mm ² , Box |
| Qty. | 60 ST | |
| Type | BLZP 5.08HC/04/90F SN O... | Version |
| Order No. | 1949820000 | PCB plug-in connector, female plug, 5.08 mm, Number of poles: 4, |
| GTIN (EAN) | 4032248627745 | 90°, Clamping yoke connection, Clamping range, max. : 4 mm ² , Box |
| Qty. | 60 ST | |
| Type | BLZP 5.08HC/05/90F SN B... | Version |
| Order No. | 1950070000 | PCB plug-in connector, female plug, 5.08 mm, Number of poles: 5, |
| GTIN (EAN) | 4032248628001 | 90°, Clamping yoke connection, Clamping range, max. : 4 mm ² , Box |
| Qty. | 48 ST | |
| Type | BLZP 5.08HC/05/90F SN O... | Version |
| Order No. | 1949830000 | PCB plug-in connector, female plug, 5.08 mm, Number of poles: 5, |
| GTIN (EAN) | 4032248627752 | 90°, Clamping yoke connection, Clamping range, max. : 4 mm ² , Box |
| Qty. | 48 ST | |
| Type | BLZP 5.08HC/06/90F SN B... | Version |
| Order No. | 1950080000 | PCB plug-in connector, female plug, 5.08 mm, Number of poles: 6, |
| GTIN (EAN) | 4032248628018 | 90°, Clamping yoke connection, Clamping range, max. : 4 mm ² , Box |
| Qty. | 42 ST | |
| Type | BLZP 5.08HC/06/90F SN G... | Version |
| Order No. | 1284860000 | PCB plug-in connector, female plug, 5.08 mm, Number of poles: 6, |
| GTIN (EAN) | 4050118075410 | 90°, Clamping yoke connection, Clamping range, max. : 4 mm ² , Box |
| Qty. | 42 ST | |

WMF 2.5 FU BLZ PE SW

Weidmüller Interface GmbH & Co. KG
 Klingenbergstraße 26
 D-32758 Detmold
 Germany

www.weidmueller.com

Accessories

| | | |
|------------|----------------------------|---|
| Type | BLZP 5.08HC/06/90F SN O... | Version |
| Order No. | 1949840000 | PCB plug-in connector, female plug, 5.08 mm, Number of poles: 6, |
| GTIN (EAN) | 4032248627769 | 90°, Clamping yoke connection, Clamping range, max. : 4 mm², Box |
| Qty. | 42 ST | |
| Type | BLZP 5.08HC/07/90F SN B... | Version |
| Order No. | 1950090000 | PCB plug-in connector, female plug, 5.08 mm, Number of poles: 7, |
| GTIN (EAN) | 4032248628025 | 90°, Clamping yoke connection, Clamping range, max. : 4 mm², Box |
| Qty. | 36 ST | |
| Type | BLZP 5.08HC/07/90F SN O... | Version |
| Order No. | 1949850000 | PCB plug-in connector, female plug, 5.08 mm, Number of poles: 7, |
| GTIN (EAN) | 4032248627776 | 90°, Clamping yoke connection, Clamping range, max. : 4 mm², Box |
| Qty. | 36 ST | |
| Type | BLZP 5.08HC/08/90F SN B... | Version |
| Order No. | 1950100000 | PCB plug-in connector, female plug, 5.08 mm, Number of poles: 8, |
| GTIN (EAN) | 4032248628032 | 90°, Clamping yoke connection, Clamping range, max. : 4 mm², Box |
| Qty. | 36 ST | |
| Type | BLZP 5.08HC/08/90F SN O... | Version |
| Order No. | 1949860000 | PCB plug-in connector, female plug, 5.08 mm, Number of poles: 8, |
| GTIN (EAN) | 4032248627783 | 90°, Clamping yoke connection, Clamping range, max. : 4 mm², Box |
| Qty. | 36 ST | |
| Type | BLZP 5.08HC/09/90F SN B... | Version |
| Order No. | 1950110000 | PCB plug-in connector, female plug, 5.08 mm, Number of poles: 9, |
| GTIN (EAN) | 4032248628049 | 90°, Clamping yoke connection, Clamping range, max. : 4 mm², Box |
| Qty. | 30 ST | |
| Type | BLZP 5.08HC/09/90F SN O... | Version |
| Order No. | 1949870000 | PCB plug-in connector, female plug, 5.08 mm, Number of poles: 9, |
| GTIN (EAN) | 4032248627790 | 90°, Clamping yoke connection, Clamping range, max. : 4 mm², Box |
| Qty. | 30 ST | |
| Type | BLZP 5.08HC/10/90F SN B... | Version |
| Order No. | 1950120000 | PCB plug-in connector, female plug, 5.08 mm, Number of poles: 10, |
| GTIN (EAN) | 4032248628056 | 90°, Clamping yoke connection, Clamping range, max. : 4 mm², Box |
| Qty. | 30 ST | |
| Type | BLZP 5.08HC/10/90F SN O... | Version |
| Order No. | 1949880000 | PCB plug-in connector, female plug, 5.08 mm, Number of poles: 10, |
| GTIN (EAN) | 4032248627806 | 90°, Clamping yoke connection, Clamping range, max. : 4 mm², Box |
| Qty. | 30 ST | |
| Type | BLZP 5.08HC/11/90F SN B... | Version |
| Order No. | 1950130000 | PCB plug-in connector, female plug, 5.08 mm, Number of poles: 11, |
| GTIN (EAN) | 4032248628063 | 90°, Clamping yoke connection, Clamping range, max. : 4 mm², Box |
| Qty. | 24 ST | |
| Type | BLZP 5.08HC/11/90F SN O... | Version |
| Order No. | 1949890000 | PCB plug-in connector, female plug, 5.08 mm, Number of poles: 11, |
| GTIN (EAN) | 4032248627813 | 90°, Clamping yoke connection, Clamping range, max. : 4 mm², Box |
| Qty. | 24 ST | |
| Type | BLZP 5.08HC/12/90F SN B... | Version |
| Order No. | 1950140000 | PCB plug-in connector, female plug, 5.08 mm, Number of poles: 12, |
| GTIN (EAN) | 4032248628070 | 90°, Clamping yoke connection, Clamping range, max. : 4 mm², Box |
| Qty. | 24 ST | |
| Type | BLZP 5.08HC/12/90F SN O... | Version |
| Order No. | 1949900000 | PCB plug-in connector, female plug, 5.08 mm, Number of poles: 12, |
| GTIN (EAN) | 4032248627837 | 90°, Clamping yoke connection, Clamping range, max. : 4 mm², Box |
| Qty. | 24 ST | |

WMF 2.5 FU BLZ PE SW

Weidmüller Interface GmbH & Co. KG
 Klingenbergstraße 26
 D-32758 Detmold
 Germany

www.weidmueller.com

Accessories

| | | |
|------------|----------------------------|---|
| Type | BLZP 5.08HC/13/90F SN B... | Version |
| Order No. | 1950150000 | PCB plug-in connector, female plug, 5.08 mm, Number of poles: 13, |
| GTIN (EAN) | 4032248628087 | 90°, Clamping yoke connection, Clamping range, max. : 4 mm ² , Box |
| Qty. | 24 ST | |
| Type | BLZP 5.08HC/13/90F SN O... | Version |
| Order No. | 1949910000 | PCB plug-in connector, female plug, 5.08 mm, Number of poles: 13, |
| GTIN (EAN) | 4032248627844 | 90°, Clamping yoke connection, Clamping range, max. : 4 mm ² , Box |
| Qty. | 24 ST | |
| Type | BLZP 5.08HC/14/90F SN B... | Version |
| Order No. | 1950160000 | PCB plug-in connector, female plug, 5.08 mm, Number of poles: 14, |
| GTIN (EAN) | 4032248628094 | 90°, Clamping yoke connection, Clamping range, max. : 4 mm ² , Box |
| Qty. | 18 ST | |
| Type | BLZP 5.08HC/14/90F SN O... | Version |
| Order No. | 1949920000 | PCB plug-in connector, female plug, 5.08 mm, Number of poles: 14, |
| GTIN (EAN) | 4032248627851 | 90°, Clamping yoke connection, Clamping range, max. : 4 mm ² , Box |
| Qty. | 18 ST | |
| Type | BLZP 5.08HC/15/90F SN B... | Version |
| Order No. | 1950170000 | PCB plug-in connector, female plug, 5.08 mm, Number of poles: 15, |
| GTIN (EAN) | 4032248628100 | 90°, Clamping yoke connection, Clamping range, max. : 4 mm ² , Box |
| Qty. | 18 ST | |
| Type | BLZP 5.08HC/15/90F SN O... | Version |
| Order No. | 1949930000 | PCB plug-in connector, female plug, 5.08 mm, Number of poles: 15, |
| GTIN (EAN) | 4032248627868 | 90°, Clamping yoke connection, Clamping range, max. : 4 mm ² , Box |
| Qty. | 18 ST | |
| Type | BLZP 5.08HC/16/90F SN B... | Version |
| Order No. | 1950180000 | PCB plug-in connector, female plug, 5.08 mm, Number of poles: 16, |
| GTIN (EAN) | 4032248628117 | 90°, Clamping yoke connection, Clamping range, max. : 4 mm ² , Box |
| Qty. | 18 ST | |
| Type | BLZP 5.08HC/16/90F SN O... | Version |
| Order No. | 1949940000 | PCB plug-in connector, female plug, 5.08 mm, Number of poles: 16, |
| GTIN (EAN) | 4032248627875 | 90°, Clamping yoke connection, Clamping range, max. : 4 mm ² , Box |
| Qty. | 18 ST | |
| Type | BLZP 5.08HC/17/90F SN B... | Version |
| Order No. | 1950190000 | PCB plug-in connector, female plug, 5.08 mm, Number of poles: 17, |
| GTIN (EAN) | 4032248628124 | 90°, Clamping yoke connection, Clamping range, max. : 4 mm ² , Box |
| Qty. | 18 ST | |
| Type | BLZP 5.08HC/17/90F SN O... | Version |
| Order No. | 1949950000 | PCB plug-in connector, female plug, 5.08 mm, Number of poles: 17, |
| GTIN (EAN) | 4032248627882 | 90°, Clamping yoke connection, Clamping range, max. : 4 mm ² , Box |
| Qty. | 18 ST | |
| Type | BLZP 5.08HC/18/90F SN B... | Version |
| Order No. | 1950200000 | PCB plug-in connector, female plug, 5.08 mm, Number of poles: 18, |
| GTIN (EAN) | 4032248628131 | 90°, Clamping yoke connection, Clamping range, max. : 4 mm ² , Box |
| Qty. | 18 ST | |
| Type | BLZP 5.08HC/18/90F SN O... | Version |
| Order No. | 1949960000 | PCB plug-in connector, female plug, 5.08 mm, Number of poles: 18, |
| GTIN (EAN) | 4032248627899 | 90°, Clamping yoke connection, Clamping range, max. : 4 mm ² , Box |
| Qty. | 18 ST | |
| Type | BLZP 5.08HC/19/90F SN B... | Version |
| Order No. | 1950210000 | PCB plug-in connector, female plug, 5.08 mm, Number of poles: 19, |
| GTIN (EAN) | 4032248628148 | 90°, Clamping yoke connection, Clamping range, max. : 4 mm ² , Box |
| Qty. | 12 ST | |

WMF 2.5 FU BLZ PE SW

Weidmüller Interface GmbH & Co. KG
 Klingenbergstraße 26
 D-32758 Detmold
 Germany

Accessories

www.weidmueller.com

| | | |
|------------|----------------------------|---|
| Type | BLZP 5.08HC/19/90F SN O... | Version |
| Order No. | 1949970000 | PCB plug-in connector, female plug, 5.08 mm, Number of poles: 19, |
| GTIN (EAN) | 4032248627905 | 90°, Clamping yoke connection, Clamping range, max. : 4 mm ² , Box |
| Qty. | 12 ST | |
| Type | BLZP 5.08HC/20/90F SN B... | Version |
| Order No. | 1950220000 | PCB plug-in connector, female plug, 5.08 mm, Number of poles: 20, |
| GTIN (EAN) | 4032248628155 | 90°, Clamping yoke connection, Clamping range, max. : 4 mm ² , Box |
| Qty. | 12 ST | |
| Type | BLZP 5.08HC/20/90F SN O... | Version |
| Order No. | 1949980000 | PCB plug-in connector, female plug, 5.08 mm, Number of poles: 20, |
| GTIN (EAN) | 4032248627912 | 90°, Clamping yoke connection, Clamping range, max. : 4 mm ² , Box |
| Qty. | 12 ST | |
| Type | BLZP 5.08HC/21/90F SN B... | Version |
| Order No. | 1950230000 | PCB plug-in connector, female plug, 5.08 mm, Number of poles: 21, |
| GTIN (EAN) | 4032248628162 | 90°, Clamping yoke connection, Clamping range, max. : 4 mm ² , Box |
| Qty. | 12 ST | |
| Type | BLZP 5.08HC/21/90F SN O... | Version |
| Order No. | 1949990000 | PCB plug-in connector, female plug, 5.08 mm, Number of poles: 21, |
| GTIN (EAN) | 4032248627929 | 90°, Clamping yoke connection, Clamping range, max. : 4 mm ² , Box |
| Qty. | 12 ST | |
| Type | BLZP 5.08HC/22/90F SN B... | Version |
| Order No. | 1950240000 | PCB plug-in connector, female plug, 5.08 mm, Number of poles: 22, |
| GTIN (EAN) | 4032248628179 | 90°, Clamping yoke connection, Clamping range, max. : 4 mm ² , Box |
| Qty. | 12 ST | |
| Type | BLZP 5.08HC/22/90F SN O... | Version |
| Order No. | 1950010000 | PCB plug-in connector, female plug, 5.08 mm, Number of poles: 22, |
| GTIN (EAN) | 4032248627936 | 90°, Clamping yoke connection, Clamping range, max. : 4 mm ² , Box |
| Qty. | 12 ST | |
| Type | BLZP 5.08HC/23/90F SN B... | Version |
| Order No. | 1950250000 | PCB plug-in connector, female plug, 5.08 mm, Number of poles: 23, |
| GTIN (EAN) | 4032248628186 | 90°, Clamping yoke connection, Clamping range, max. : 4 mm ² , Box |
| Qty. | 12 ST | |
| Type | BLZP 5.08HC/23/90F SN O... | Version |
| Order No. | 1950020000 | PCB plug-in connector, female plug, 5.08 mm, Number of poles: 23, |
| GTIN (EAN) | 4032248627950 | 90°, Clamping yoke connection, Clamping range, max. : 4 mm ² , Box |
| Qty. | 12 ST | |
| Type | BLZP 5.08HC/24/90F SN B... | Version |
| Order No. | 1950260000 | PCB plug-in connector, female plug, 5.08 mm, Number of poles: 24, |
| GTIN (EAN) | 4032248628193 | 90°, Clamping yoke connection, Clamping range, max. : 4 mm ² , Box |
| Qty. | 12 ST | |
| Type | BLZP 5.08HC/24/90F SN O... | Version |
| Order No. | 1950030000 | PCB plug-in connector, female plug, 5.08 mm, Number of poles: 24, |
| GTIN (EAN) | 4032248627967 | 90°, Clamping yoke connection, Clamping range, max. : 4 mm ² , Box |
| Qty. | 12 ST | |

WMF 2.5 FU BLZ PE SW

Weidmüller Interface GmbH & Co. KG
 Klingenbergstraße 26
 D-32758 Detmold
 Germany

www.weidmueller.com

Accessories

Accessories



The comprehensive accessories of the Klippon® Connect portfolio are perfectly matched down to the last detail. This facilitates mounting while adhering to required norms

General ordering data

| | | | |
|------------|----------------------------|---|--|
| Type | WAD WMF2.5 | Version | |
| Order No. | 1142970000 | Terminal cover, dark beige, Wemid, Height: 11 mm, Width: 9.96 mm, | |
| GTIN (EAN) | 4032248926039 | Depth: 9.68 mm, V-0 | |
| Qty. | 50 ST | | |

Blank



The Dekafix (DEK) marker is the universal marker for all conductor and plug-in connectors as well as for electronic sub-assemblies. The system is ideal for short number sequences and covers a wide range of ready-printed markers.

Strips for fast installation in only one work step. The printing is easy to read, rich in contrast and available in various widths.

- Large range of ready-to-use markers
 - Strips for fast installation
 - Terminal markers, suitable for all Weidmüller cable connectors
 - Available as blank MultiCard or with standard printing
- For custom printing: Please send us a file of our labeling software M-Print PRO or M-Print PRO Online (without installation) for your labeling specifications.

General ordering data

| | | | |
|------------|----------------------------|--|--|
| Type | DEK 5/5 MC NE WS | Version | |
| Order No. | 1609801044 | Dekafix, Terminal marker, 5 x 5 mm, Pitch in mm (P): 5.00 | |
| GTIN (EAN) | 4008190397111 | Weidmueller, white | |
| Qty. | 1000 ST | | |
| Type | WS 10/5 M MC NE WS | Version | |
| Order No. | 1792000000 | WS, Terminal marker, 10 x 5 mm, Pitch in mm (P): 5.00 Weidmueller, | |
| GTIN (EAN) | 4032248223862 | Allen-Bradley, white | |
| Qty. | 720 ST | | |

WMF 2.5 FU BLZ PE SW

Weidmüller Interface GmbH & Co. KG
Klingenbergstraße 26
D-32758 Detmold
Germany

www.weidmueller.com

Accessories

Marker holder



The marker holder offer the possibility of additional mounting of standard markers with a pitch of 5 or 5.1 mm. The angled holders can be optionally snapped together and could be mounted in all standard marking channels of the Klippon® Connect modular terminal blocks. Fitting marker types could be found under the respective accessories of the designation marking holder.

General ordering data

| | | |
|------------|----------------------------|----------------------------|
| Type | BZT 1 WS 10/5 | Version |
| Order No. | 1805490000 | Accessories, Marker holder |
| GTIN (EAN) | 4032248270231 | |
| Qty. | 100 ST | |
| Type | BZT 1 ZA WS 10/5 | Version |
| Order No. | 1805520000 | Accessories, Marker holder |
| GTIN (EAN) | 4032248270248 | |
| Qty. | 100 ST | |

Cross-connections



The distribution or multiplication of a potential to adjoining terminal blocks is realized via a cross-connection. Additional wiring effort can be easily avoided. Even if the poles are broken out, contact reliability in the terminal blocks is still ensured. Our portfolio offers pluggable and screwable cross-connection systems for modular terminal blocks.

General ordering data

| | | |
|------------|----------------------------|---|
| Type | ZQV 2.5N/10 | Version |
| Order No. | 1527690000 | Cross-connector (terminal), Plugged, orange, 24 A, Number of poles: 10, Pitch in mm (P): 5.10, Insulated: Yes, Width: 48.7 mm |
| GTIN (EAN) | 4050118447989 | |
| Qty. | 20 ST | |
| Type | ZQV 2.5N/10 BL | Version |
| Order No. | 1527880000 | Cross-connector (terminal), Plugged, blue, 24 A, Number of poles: 10, Pitch in mm (P): 5.10, Insulated: Yes, Width: 48.7 mm |
| GTIN (EAN) | 4050118448573 | |
| Qty. | 20 ST | |
| Type | ZQV 2.5N/10 RD | Version |
| Order No. | 2108910000 | Cross-connector (terminal), Plugged, red, 24 A, Number of poles: 10, Pitch in mm (P): 5.10, Insulated: Yes, Width: 48.7 mm |
| GTIN (EAN) | 4050118486018 | |
| Qty. | 20 ST | |
| Type | ZQV 2.5N/2 | Version |
| Order No. | 1527540000 | Cross-connector (terminal), Plugged, orange, 24 A, Number of poles: 2, Pitch in mm (P): 5.10, Insulated: Yes, Width: 7.9 mm |
| GTIN (EAN) | 4050118448467 | |
| Qty. | 60 ST | |

WMF 2.5 FU BLZ PE SW

Weidmüller Interface GmbH & Co. KG
 Klingenbergstraße 26
 D-32758 Detmold
 Germany

www.weidmueller.com

Accessories

| | | |
|------------|----------------------------|---|
| Type | ZQV 2.5N/2 BL | Version |
| Order No. | 1527740000 | Cross-connector (terminal), Plugged, blue, 24 A, Number of poles: 2, |
| GTIN (EAN) | 4050118448658 | Pitch in mm (P): 5.10, Insulated: Yes, Width: 7.9 mm |
| Qty. | 60 ST | |
| Type | ZQV 2.5N/2 RD | Version |
| Order No. | 2108470000 | Cross-connector (terminal), Plugged, red, 24 A, Number of poles: 2, |
| GTIN (EAN) | 4050118448542 | Pitch in mm (P): 5.10, Insulated: Yes, Width: 7.9 mm |
| Qty. | 60 ST | |
| Type | ZQV 2.5N/20 | Version |
| Order No. | 1527720000 | Cross-connector (terminal), Plugged, orange, 24 A, Number of poles: |
| GTIN (EAN) | 4050118447972 | 20, Pitch in mm (P): 5.10, Insulated: Yes, Width: 102 mm |
| Qty. | 20 ST | |
| Type | ZQV 2.5N/20 BL | Version |
| Order No. | 1527890000 | Cross-connector (terminal), Plugged, blue, 24 A, Number of poles: 20, |
| GTIN (EAN) | 4050118448566 | Pitch in mm (P): 5.10, Insulated: Yes, Width: 102 mm |
| Qty. | 20 ST | |
| Type | ZQV 2.5N/20 RD | Version |
| Order No. | 2108920000 | Cross-connector (terminal), Plugged, red, 24 A, Number of poles: 20, |
| GTIN (EAN) | 4050118448599 | Pitch in mm (P): 5.10, Insulated: Yes, Width: 102 mm |
| Qty. | 20 ST | |
| Type | ZQV 2.5N/3 | Version |
| Order No. | 1527570000 | Cross-connector (terminal), Plugged, orange, 24 A, Number of poles: |
| GTIN (EAN) | 4050118448450 | 3, Pitch in mm (P): 5.10, Insulated: Yes, Width: 13 mm |
| Qty. | 60 ST | |
| Type | ZQV 2.5N/3 BL | Version |
| Order No. | 1527770000 | Cross-connector (terminal), Plugged, blue, 24 A, Number of poles: 3, |
| GTIN (EAN) | 4050118448641 | Pitch in mm (P): 5.10, Insulated: Yes, Width: 13 mm |
| Qty. | 60 ST | |
| Type | ZQV 2.5N/3 RD | Version |
| Order No. | 2108690000 | Cross-connector (terminal), Plugged, red, 24 A, Number of poles: 3, |
| GTIN (EAN) | 4050118448535 | Pitch in mm (P): 5.10, Insulated: Yes, Width: 13 mm |
| Qty. | 60 ST | |
| Type | ZQV 2.5N/4 | Version |
| Order No. | 1527590000 | Cross-connector (terminal), Plugged, orange, 24 A, Number of poles: |
| GTIN (EAN) | 4050118448443 | 4, Pitch in mm (P): 5.10, Insulated: Yes, Width: 18.1 mm |
| Qty. | 60 ST | |
| Type | ZQV 2.5N/4 BL | Version |
| Order No. | 1527780000 | Cross-connector (terminal), Plugged, blue, 24 A, Number of poles: 4, |
| GTIN (EAN) | 4050118448634 | Pitch in mm (P): 5.10, Insulated: Yes, Width: 18.1 mm |
| Qty. | 60 ST | |
| Type | ZQV 2.5N/4 RD | Version |
| Order No. | 2108700000 | Cross-connector (terminal), Plugged, red, 24 A, Number of poles: 4, |
| GTIN (EAN) | 4050118448528 | Pitch in mm (P): 5.10, Insulated: Yes, Width: 18.1 mm |
| Qty. | 60 ST | |
| Type | ZQV 2.5N/5 | Version |
| Order No. | 1527620000 | Cross-connector (terminal), Plugged, orange, 24 A, Number of poles: |
| GTIN (EAN) | 4050118448436 | 5, Pitch in mm (P): 5.10, Insulated: Yes, Width: 23.2 mm |
| Qty. | 20 ST | |
| Type | ZQV 2.5N/5 BL | Version |
| Order No. | 1527790000 | Cross-connector (terminal), Plugged, blue, 24 A, Number of poles: 5, |
| GTIN (EAN) | 4050118448627 | Pitch in mm (P): 5.10, Insulated: Yes, Width: 23.2 mm |
| Qty. | 20 ST | |

WMF 2.5 FU BLZ PE SW

Weidmüller Interface GmbH & Co. KG
 Klingenbergstraße 26
 D-32758 Detmold
 Germany

www.weidmueller.com

Accessories

| | | |
|------------|----------------------------|---|
| Type | ZQV 2.5N/5 RD | Version |
| Order No. | 2108710000 | Cross-connector (terminal), Plugged, red, 24 A, Number of poles: 5, |
| GTIN (EAN) | 4050118448511 | Pitch in mm (P): 5.10, Insulated: Yes, Width: 23.2 mm |
| Qty. | 20 ST | |
| Type | ZQV 2.5N/50 | Version |
| Order No. | 1527730000 | Cross-connector (terminal), Plugged, orange, 24 A, Number of poles: |
| GTIN (EAN) | 4050118411362 | 50, Pitch in mm (P): 5.10, Insulated: Yes, Width: 255 mm |
| Qty. | 5 ST | |
| Type | ZQV 2.5N/50 BL | Version |
| Order No. | 1527920000 | Cross-connector (terminal), Plugged, blue, 24 A, Number of poles: 50, |
| GTIN (EAN) | 4050118448559 | Pitch in mm (P): 5.10, Insulated: Yes, Width: 255 mm |
| Qty. | 5 ST | |
| Type | ZQV 2.5N/50 RD | Version |
| Order No. | 2109000000 | Cross-connector (terminal), Plugged, red, 24 A, Number of poles: 50, |
| GTIN (EAN) | 4050118486001 | Pitch in mm (P): 5.10, Insulated: Yes, Width: 255 mm |
| Qty. | 5 ST | |
| Type | ZQV 2.5N/6 | Version |
| Order No. | 1527630000 | Cross-connector (terminal), Plugged, orange, 24 A, Number of poles: |
| GTIN (EAN) | 4050118448429 | 6, Pitch in mm (P): 5.10, Insulated: Yes, Width: 28.3 mm |
| Qty. | 20 ST | |
| Type | ZQV 2.5N/6 BL | Version |
| Order No. | 1527820000 | Cross-connector (terminal), Plugged, blue, 24 A, Number of poles: 6, |
| GTIN (EAN) | 4050118448610 | Pitch in mm (P): 5.10, Insulated: Yes, Width: 28.3 mm |
| Qty. | 20 ST | |
| Type | ZQV 2.5N/6 RD | Version |
| Order No. | 2108720000 | Cross-connector (terminal), Plugged, red, 24 A, Number of poles: 6, |
| GTIN (EAN) | 4050118448504 | Pitch in mm (P): 5.10, Insulated: Yes, Width: 28.3 mm |
| Qty. | 20 ST | |
| Type | ZQV 2.5N/7 | Version |
| Order No. | 1527640000 | Cross-connector (terminal), Plugged, orange, 24 A, Number of poles: |
| GTIN (EAN) | 4050118448412 | 7, Pitch in mm (P): 5.10, Insulated: Yes, Width: 33.4 mm |
| Qty. | 20 ST | |
| Type | ZQV 2.5N/7 BL | Version |
| Order No. | 1527830000 | Cross-connector (terminal), Plugged, blue, 24 A, Number of poles: 7, |
| GTIN (EAN) | 4050118448603 | Pitch in mm (P): 5.10, Insulated: Yes, Width: 33.4 mm |
| Qty. | 20 ST | |
| Type | ZQV 2.5N/7 RD | Version |
| Order No. | 2108810000 | Cross-connector (terminal), Plugged, red, 24 A, Number of poles: 7, |
| GTIN (EAN) | 4050118448498 | Pitch in mm (P): 5.10, Insulated: Yes, Width: 33.4 mm |
| Qty. | 20 ST | |
| Type | ZQV 2.5N/8 | Version |
| Order No. | 1527670000 | Cross-connector (terminal), Plugged, orange, 24 A, Number of poles: |
| GTIN (EAN) | 4050118448405 | 8, Pitch in mm (P): 5.10, Insulated: Yes, Width: 38.5 mm |
| Qty. | 20 ST | |
| Type | ZQV 2.5N/8 BL | Version |
| Order No. | 1527840000 | Cross-connector (terminal), Plugged, blue, 24 A, Number of poles: 6, |
| GTIN (EAN) | 4050118448597 | Pitch in mm (P): 5.10, Insulated: Yes, Width: 38.5 mm |
| Qty. | 20 ST | |
| Type | ZQV 2.5N/8 RD | Version |
| Order No. | 2108870000 | Cross-connector (terminal), Plugged, red, 24 A, Number of poles: 8, |
| GTIN (EAN) | 4050118448481 | Pitch in mm (P): 5.10, Insulated: Yes, Width: 38.5 mm |
| Qty. | 20 ST | |

WMF 2.5 FU BLZ PE SW

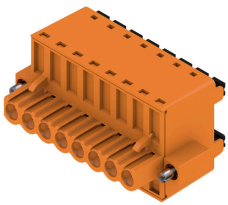
Weidmüller Interface GmbH & Co. KG
Klingenbergstraße 26
D-32758 Detmold
Germany

www.weidmueller.com

Accessories

| | | |
|------------|----------------------------|--|
| Type | ZQV 2.5N/9 | Version |
| Order No. | 1527680000 | Cross-connector (terminal), Plugged, orange, 24 A, Number of poles: |
| GTIN (EAN) | 4050118447996 | 9, Pitch in mm (P): 5.10, Insulated: Yes, Width: 43.6 mm |
| Qty. | 20 ST | |
| Type | ZQV 2.5N/9 BL | Version |
| Order No. | 1527870000 | Cross-connector (terminal), Plugged, blue, 24 A, Number of poles: 9, |
| GTIN (EAN) | 4050118448580 | Pitch in mm (P): 5.10, Insulated: Yes, Width: 43.6 mm |
| Qty. | 20 ST | |
| Type | ZQV 2.5N/9 RD | Version |
| Order No. | 2108900000 | Cross-connector (terminal), Plugged, red, 24 A, Number of poles: 9, |
| GTIN (EAN) | 4050118448474 | Pitch in mm (P): 5.10, Insulated: Yes, Width: 43.6 mm |
| Qty. | 20 ST | |

BLDF 5.08/180F SN



The powerful daisy-chain solution for high-performance signal bus applications is also suitable for 400V auxiliary power chains with 18.5A current-carrying capacity. The large clamping capacity (up to 2.5mm² wire cross-sections) is particularly beneficial for long bus cables or high currents because of the low voltage drop. Four flange variations, including the patented release latch, allow for user-friendly unplugging designs.

General ordering data

| | | |
|------------|----------------------------|--|
| Type | BLDF 5.08/08/180F SN OR... | Version |
| Order No. | 1065120000 | PCB plug-in connector, female plug, 5.08 mm, Number of poles: 8, |
| GTIN (EAN) | 4032248817658 | 180°, PUSH IN with actuator, Clamping range, max. : 3.31 mm ² , Box |
| Qty. | 24 ST | |
| Type | BLDF 5.08/08/180F SN BK... | Version |
| Order No. | 1001000000 | PCB plug-in connector, female plug, 5.08 mm, Number of poles: 8, |
| GTIN (EAN) | 4032248817559 | 180°, PUSH IN with actuator, Clamping range, max. : 3.31 mm ² , Box |
| Qty. | 24 ST | |
| Type | BLDF 5.08/07/180F SN OR... | Version |
| Order No. | 1065110000 | PCB plug-in connector, female plug, 5.08 mm, Number of poles: 7, |
| GTIN (EAN) | 4032248817832 | 180°, PUSH IN with actuator, Clamping range, max. : 3.31 mm ² , Box |
| Qty. | 24 ST | |
| Type | BLDF 5.08/07/180F SN BK... | Version |
| Order No. | 1000990000 | PCB plug-in connector, female plug, 5.08 mm, Number of poles: 7, |
| GTIN (EAN) | 4032248817474 | 180°, PUSH IN with actuator, Clamping range, max. : 3.31 mm ² , Box |
| Qty. | 24 ST | |
| Type | BLDF 5.08/06/180F SN OR... | Version |
| Order No. | 1065090000 | PCB plug-in connector, female plug, 5.08 mm, Number of poles: 6, |
| GTIN (EAN) | 4032248817801 | 180°, PUSH IN with actuator, Clamping range, max. : 3.31 mm ² , Box |
| Qty. | 28 ST | |
| Type | BLDF 5.08/06/180F SN BK... | Version |
| Order No. | 1000980000 | PCB plug-in connector, female plug, 5.08 mm, Number of poles: 6, |
| GTIN (EAN) | 4032248817375 | 180°, PUSH IN with actuator, Clamping range, max. : 3.31 mm ² , Box |
| Qty. | 28 ST | |

WMF 2.5 FU BLZ PE SW

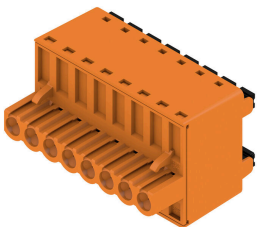
Weidmüller Interface GmbH & Co. KG
 Klingenbergstraße 26
 D-32758 Detmold
 Germany

www.weidmueller.com

Accessories

| | | |
|------------|----------------------------|---|
| Type | BLDF 5.08/05/180F SN OR... | Version |
| Order No. | 1065080000 | PCB plug-in connector, female plug, 5.08 mm, Number of poles: 5, |
| GTIN (EAN) | 4032248817856 | 180°, PUSH IN with actuator, Clamping range, max. : 3.31 mm², Box |
| Qty. | 32 ST | |
| Type | BLDF 5.08/05/180F SN BK... | Version |
| Order No. | 1000970000 | PCB plug-in connector, female plug, 5.08 mm, Number of poles: 5, |
| GTIN (EAN) | 4032248817337 | 180°, PUSH IN with actuator, Clamping range, max. : 3.31 mm², Box |
| Qty. | 32 ST | |
| Type | BLDF 5.08/04/180F SN OR... | Version |
| Order No. | 1059420000 | PCB plug-in connector, female plug, 5.08 mm, Number of poles: 4, |
| GTIN (EAN) | 4032248817894 | 180°, PUSH IN with actuator, Clamping range, max. : 3.31 mm², Box |
| Qty. | 40 ST | |
| Type | BLDF 5.08/04/180F SN BK... | Version |
| Order No. | 1000960000 | PCB plug-in connector, female plug, 5.08 mm, Number of poles: 4, |
| GTIN (EAN) | 4032248817344 | 180°, PUSH IN with actuator, Clamping range, max. : 3.31 mm², Box |
| Qty. | 40 ST | |
| Type | BLDF 5.08/03/180F SN OR... | Version |
| Order No. | 1012060000 | PCB plug-in connector, female plug, 5.08 mm, Number of poles: 3, |
| GTIN (EAN) | 4032248818037 | 180°, PUSH IN with actuator, Clamping range, max. : 3.31 mm², Box |
| Qty. | 48 ST | |
| Type | BLDF 5.08/03/180F SN BK... | Version |
| Order No. | 1000950000 | PCB plug-in connector, female plug, 5.08 mm, Number of poles: 3, |
| GTIN (EAN) | 4032248817085 | 180°, PUSH IN with actuator, Clamping range, max. : 3.31 mm², Box |
| Qty. | 48 ST | |
| Type | BLDF 5.08/02/180F SN OR... | Version |
| Order No. | 1001220000 | PCB plug-in connector, female plug, 5.08 mm, Number of poles: 2, |
| GTIN (EAN) | 4032248817955 | 180°, PUSH IN with actuator, Clamping range, max. : 3.31 mm², Box |
| Qty. | 60 ST | |
| Type | BLDF 5.08/02/180F SN BK... | Version |
| Order No. | 1000930000 | PCB plug-in connector, female plug, 5.08 mm, Number of poles: 2, |
| GTIN (EAN) | 4032248817252 | 180°, PUSH IN with actuator, Clamping range, max. : 3.31 mm², Box |
| Qty. | 60 ST | |

BLDF 5.08/180 SN



The powerful daisy-chain solution for high-performance signal bus applications is also suitable for 400V auxiliary power chains with 18.5A current-carrying capacity. The large clamping capacity (up to 2.5mm² wire cross-sections) is particularly beneficial for long bus cables or high currents because of the low voltage drop. Four flange variations, including the patented release latch, allow for user-friendly unplugging designs.

General ordering data

| | | |
|------------|----------------------------|---|
| Type | BLDF 5.08/02/180 SN BK ... | Version |
| Order No. | 1000860000 | PCB plug-in connector, female plug, 5.08 mm, Number of poles: 2, |
| GTIN (EAN) | 4032248817030 | 180°, PUSH IN with actuator, Clamping range, max. : 3.31 mm², Box |
| Qty. | 120 ST | |

WMF 2.5 FU BLZ PE SW

Weidmüller Interface GmbH & Co. KG
 Klingenbergstraße 26
 D-32758 Detmold
 Germany

www.weidmueller.com

Accessories

| | | |
|------------|----------------------------|---|
| Type | BLDF 5.08/02/180 SN OR ... | Version |
| Order No. | 1001150000 | PCB plug-in connector, female plug, 5.08 mm, Number of poles: 2, |
| GTIN (EAN) | 4032248818020 | 180°, PUSH IN with actuator, Clamping range, max. : 3.31 mm², Box |
| Qty. | 120 ST | |
| Type | BLDF 5.08/03/180 SN BK ... | Version |
| Order No. | 1000870000 | PCB plug-in connector, female plug, 5.08 mm, Number of poles: 3, |
| GTIN (EAN) | 4032248817276 | 180°, PUSH IN with actuator, Clamping range, max. : 3.31 mm², Box |
| Qty. | 80 ST | |
| Type | BLDF 5.08/03/180 SN OR ... | Version |
| Order No. | 1001160000 | PCB plug-in connector, female plug, 5.08 mm, Number of poles: 3, |
| GTIN (EAN) | 4032248817726 | 180°, PUSH IN with actuator, Clamping range, max. : 3.31 mm², Box |
| Qty. | 80 ST | |
| Type | BLDF 5.08/03/180 SN OR ... | Version |
| Order No. | 2759190000 | PCB plug-in connector, female plug, 5.08 mm, Number of poles: 3, |
| GTIN (EAN) | 4064675007289 | 180°, PUSH IN with actuator, Tension-clamp connection, Clamping |
| Qty. | 80 ST | range, max. : 3.31 mm², Box |
| Type | BLDF 5.08/04/180 SN BK ... | Version |
| Order No. | 1000880000 | PCB plug-in connector, female plug, 5.08 mm, Number of poles: 4, |
| GTIN (EAN) | 4032248817269 | 180°, PUSH IN with actuator, Clamping range, max. : 3.31 mm², Box |
| Qty. | 60 ST | |
| Type | BLDF 5.08/04/180 SN OR ... | Version |
| Order No. | 1001170000 | PCB plug-in connector, female plug, 5.08 mm, Number of poles: 4, |
| GTIN (EAN) | 4032248818075 | 180°, PUSH IN with actuator, Clamping range, max. : 3.31 mm², Box |
| Qty. | 60 ST | |
| Type | BLDF 5.08/05/180 SN BK ... | Version |
| Order No. | 1000890000 | PCB plug-in connector, female plug, 5.08 mm, Number of poles: 5, |
| GTIN (EAN) | 4032248817078 | 180°, PUSH IN with actuator, Clamping range, max. : 3.31 mm², Box |
| Qty. | 48 ST | |
| Type | BLDF 5.08/05/180 SN OR ... | Version |
| Order No. | 1001180000 | PCB plug-in connector, female plug, 5.08 mm, Number of poles: 5, |
| GTIN (EAN) | 4032248818228 | 180°, PUSH IN with actuator, Clamping range, max. : 3.31 mm², Box |
| Qty. | 48 ST | |
| Type | BLDF 5.08/06/180 SN BK ... | Version |
| Order No. | 1000900000 | PCB plug-in connector, female plug, 5.08 mm, Number of poles: 6, |
| GTIN (EAN) | 4032248817412 | 180°, PUSH IN with actuator, Clamping range, max. : 3.31 mm², Box |
| Qty. | 40 ST | |
| Type | BLDF 5.08/06/180 SN OR ... | Version |
| Order No. | 1001190000 | PCB plug-in connector, female plug, 5.08 mm, Number of poles: 6, |
| GTIN (EAN) | 4032248818174 | 180°, PUSH IN with actuator, Clamping range, max. : 3.31 mm², Box |
| Qty. | 40 ST | |
| Type | BLDF 5.08/07/180 SN BK ... | Version |
| Order No. | 1000910000 | PCB plug-in connector, female plug, 5.08 mm, Number of poles: 7, |
| GTIN (EAN) | 4032248817450 | 180°, PUSH IN with actuator, Clamping range, max. : 3.31 mm², Box |
| Qty. | 32 ST | |
| Type | BLDF 5.08/07/180 SN OR ... | Version |
| Order No. | 1001200000 | PCB plug-in connector, female plug, 5.08 mm, Number of poles: 7, |
| GTIN (EAN) | 4032248817535 | 180°, PUSH IN with actuator, Clamping range, max. : 3.31 mm², Box |
| Qty. | 32 ST | |
| Type | BLDF 5.08/08/180 SN BK ... | Version |
| Order No. | 1000920000 | PCB plug-in connector, female plug, 5.08 mm, Number of poles: 8, |
| GTIN (EAN) | 4032248817092 | 180°, PUSH IN with actuator, Clamping range, max. : 3.31 mm², Box |
| Qty. | 28 ST | |

WMF 2.5 FU BLZ PE SW

Weidmüller Interface GmbH & Co. KG
Klingenbergstraße 26
D-32758 Detmold
Germany

www.weidmueller.com

Accessories

| | | |
|------------|----------------------------|---|
| Type | BLDF 5.08/08/180 SN OR ... | Version |
| Order No. | 1001210000 | PCB plug-in connector, female plug, 5.08 mm, Number of poles: 8, |
| GTIN (EAN) | 4032248817573 | 180°, PUSH IN with actuator, Clamping range, max. : 3.31 mm², Box |
| Qty. | 28 ST | |

BLF 5.08HC/90F SN



Just as reliable as the millionfold proven original and featuring innovative details:

The BLF 5.08HC PUSH IN version of the BLZP 5.08HC female connector is not only different in terms of connection system; it also has a more compact design. Weidmüller's innovative PUSH IN spring connection system stands for the future of easy and tool-free wire connection. HC = High Current.

In terms of versatility, the BLF 5.08HC offers just as much as the version which served as a model:

- 3 tested-and-proven wire outlet directions provide the usual flexibility for application-specific design
- 4 flange variations and the patented release latch allow the locking concept to be based on the requirements of the user
- Use the BLF 5.08HC and SL 5.08HC plug combination to reach the max. rated specifications

General ordering data

| | | |
|------------|----------------------------|---|
| Type | BLF 5.08HC/21/90F SN OR... | Version |
| Order No. | 1477230000 | PCB plug-in connector, female plug, 5.08 mm, Number of poles: 21, |
| GTIN (EAN) | 4050118284546 | 90°, PUSH IN with actuator, Clamping range, max. : 3.31 mm², Box |
| Qty. | 12 ST | |
| Type | BLF 5.08HC/20/90F SN OR... | Version |
| Order No. | 1002270000 | PCB plug-in connector, female plug, 5.08 mm, Number of poles: 20, |
| GTIN (EAN) | 4032248694433 | 90°, PUSH IN with actuator, Clamping range, max. : 3.31 mm², Box |
| Qty. | 12 ST | |
| Type | BLF 5.08HC/19/90F SN OR... | Version |
| Order No. | 1002260000 | PCB plug-in connector, female plug, 5.08 mm, Number of poles: 19, |
| GTIN (EAN) | 4032248694419 | 90°, PUSH IN with actuator, Clamping range, max. : 3.31 mm², Box |
| Qty. | 12 ST | |
| Type | BLF 5.08HC/18/90F SN OR... | Version |
| Order No. | 1002250000 | PCB plug-in connector, female plug, 5.08 mm, Number of poles: 18, |
| GTIN (EAN) | 4032248694402 | 90°, PUSH IN with actuator, Clamping range, max. : 3.31 mm², Box |
| Qty. | 18 ST | |
| Type | BLF 5.08HC/17/90F SN OR... | Version |
| Order No. | 1002240000 | PCB plug-in connector, female plug, 5.08 mm, Number of poles: 17, |
| GTIN (EAN) | 4032248694396 | 90°, PUSH IN with actuator, Clamping range, max. : 3.31 mm², Box |
| Qty. | 18 ST | |
| Type | BLF 5.08HC/16/90F SN OR... | Version |
| Order No. | 1002230000 | PCB plug-in connector, female plug, 5.08 mm, Number of poles: 16, |
| GTIN (EAN) | 4032248694389 | 90°, PUSH IN with actuator, Clamping range, max. : 3.31 mm², Box |
| Qty. | 18 ST | |
| Type | BLF 5.08HC/16/90F SN BK... | Version |
| Order No. | 1000360001 | PCB plug-in connector, female plug, 5.08 mm, Number of poles: 16, |
| GTIN (EAN) | 4032248690329 | 90°, PUSH IN with actuator, Clamping range, max. : 3.31 mm², Box |
| Qty. | 18 ST | |

WMF 2.5 FU BLZ PE SW

Weidmüller Interface GmbH & Co. KG
 Klingenbergstraße 26
 D-32758 Detmold
 Germany

www.weidmueller.com

Accessories

| | | |
|------------|----------------------------|---|
| Type | BLF 5.08HC/15/90F SN OR... | Version |
| Order No. | 1002220000 | PCB plug-in connector, female plug, 5.08 mm, Number of poles: 15, |
| GTIN (EAN) | 4032248694372 | 90°, PUSH IN with actuator, Clamping range, max. : 3.31 mm², Box |
| Qty. | 18 ST | |
| Type | BLF 5.08HC/14/90F SN OR... | Version |
| Order No. | 1002210000 | PCB plug-in connector, female plug, 5.08 mm, Number of poles: 14, |
| GTIN (EAN) | 4032248694365 | 90°, PUSH IN with actuator, Clamping range, max. : 3.31 mm², Box |
| Qty. | 18 ST | |
| Type | BLF 5.08HC/13/90F SN OR... | Version |
| Order No. | 1002200000 | PCB plug-in connector, female plug, 5.08 mm, Number of poles: 13, |
| GTIN (EAN) | 4032248694358 | 90°, PUSH IN with actuator, Clamping range, max. : 3.31 mm², Box |
| Qty. | 24 ST | |
| Type | BLF 5.08HC/12/90F SN OR... | Version |
| Order No. | 1002190000 | PCB plug-in connector, female plug, 5.08 mm, Number of poles: 12, |
| GTIN (EAN) | 4032248694341 | 90°, PUSH IN with actuator, Clamping range, max. : 3.31 mm², Box |
| Qty. | 24 ST | |
| Type | BLF 5.08HC/12/90F SN BK... | Version |
| Order No. | 1000320001 | PCB plug-in connector, female plug, 5.08 mm, Number of poles: 12, |
| GTIN (EAN) | 4032248690282 | 90°, PUSH IN with actuator, Clamping range, max. : 3.31 mm², Box |
| Qty. | 24 ST | |
| Type | BLF 5.08HC/11/90F SN OR... | Version |
| Order No. | 1002180000 | PCB plug-in connector, female plug, 5.08 mm, Number of poles: 11, |
| GTIN (EAN) | 4032248694334 | 90°, PUSH IN with actuator, Clamping range, max. : 3.31 mm², Box |
| Qty. | 24 ST | |
| Type | BLF 5.08HC/10/90F SN OR... | Version |
| Order No. | 1002170000 | PCB plug-in connector, female plug, 5.08 mm, Number of poles: 10, |
| GTIN (EAN) | 4032248694327 | 90°, PUSH IN with actuator, Clamping range, max. : 3.31 mm², Box |
| Qty. | 30 ST | |
| Type | BLF 5.08HC/10/90F SN BK... | Version |
| Order No. | 1000300001 | PCB plug-in connector, female plug, 5.08 mm, Number of poles: 10, |
| GTIN (EAN) | 4032248690268 | 90°, PUSH IN with actuator, Clamping range, max. : 3.31 mm², Box |
| Qty. | 30 ST | |
| Type | BLF 5.08HC/09/90F SN OR... | Version |
| Order No. | 1002160000 | PCB plug-in connector, female plug, 5.08 mm, Number of poles: 9, |
| GTIN (EAN) | 4032248694310 | 90°, PUSH IN with actuator, Clamping range, max. : 3.31 mm², Box |
| Qty. | 30 ST | |
| Type | BLF 5.08HC/08/90F SN OR... | Version |
| Order No. | 1002150000 | PCB plug-in connector, female plug, 5.08 mm, Number of poles: 8, |
| GTIN (EAN) | 4032248694105 | 90°, PUSH IN with actuator, Clamping range, max. : 3.31 mm², Box |
| Qty. | 36 ST | |
| Type | BLF 5.08HC/08/90F SN BK... | Version |
| Order No. | 1000280001 | PCB plug-in connector, female plug, 5.08 mm, Number of poles: 8, |
| GTIN (EAN) | 4032248690244 | 90°, PUSH IN with actuator, Clamping range, max. : 3.31 mm², Box |
| Qty. | 36 ST | |
| Type | BLF 5.08HC/07/90F SN OR... | Version |
| Order No. | 1002140000 | PCB plug-in connector, female plug, 5.08 mm, Number of poles: 7, |
| GTIN (EAN) | 4032248694099 | 90°, PUSH IN with actuator, Clamping range, max. : 3.31 mm², Box |
| Qty. | 36 ST | |
| Type | BLF 5.08HC/06/90F SN OR... | Version |
| Order No. | 1002130000 | PCB plug-in connector, female plug, 5.08 mm, Number of poles: 6, |
| GTIN (EAN) | 4032248694082 | 90°, PUSH IN with actuator, Clamping range, max. : 3.31 mm², Box |
| Qty. | 42 ST | |

WMF 2.5 FU BLZ PE SW

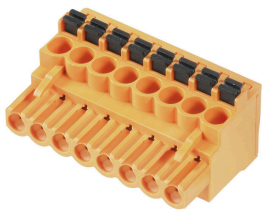
Weidmüller Interface GmbH & Co. KG
 Klingenbergstraße 26
 D-32758 Detmold
 Germany

www.weidmueller.com

Accessories

| | | |
|------------|----------------------------|--|
| Type | BLF 5.08HC/06/90F SN BK... | Version |
| Order No. | 1000260001 | PCB plug-in connector, female plug, 5.08 mm, Number of poles: 6, |
| GTIN (EAN) | 4032248690220 | 90°, PUSH IN with actuator, Clamping range, max. : 3.31 mm², Box |
| Qty. | 42 ST | |
| Type | BLF 5.08HC/05/90F SN OR... | Version |
| Order No. | 1002120000 | PCB plug-in connector, female plug, 5.08 mm, Number of poles: 5, |
| GTIN (EAN) | 4032248694075 | 90°, PUSH IN with actuator, Clamping range, max. : 3.31 mm², Box |
| Qty. | 48 ST | |
| Type | BLF 5.08HC/04/90F SN OR... | Version |
| Order No. | 1002110000 | PCB plug-in connector, female plug, 5.08 mm, Number of poles: 4, |
| GTIN (EAN) | 4032248694068 | 90°, PUSH IN with actuator, Clamping range, max. : 3.31 mm², Box |
| Qty. | 60 ST | |
| Type | BLF 5.08HC/04/90F SN BK... | Version |
| Order No. | 1000240001 | PCB plug-in connector, female plug, 5.08 mm, Number of poles: 4, |
| GTIN (EAN) | 4032248690206 | 90°, PUSH IN with actuator, Clamping range, max. : 3.31 mm², Box |
| Qty. | 60 ST | |
| Type | BLF 5.08HC/03/90F SN OR... | Version |
| Order No. | 1002100000 | PCB plug-in connector, female plug, 5.08 mm, Number of poles: 3, |
| GTIN (EAN) | 4032248694051 | 90°, PUSH IN with actuator, Clamping range, max. : 3.31 mm², Box |
| Qty. | 72 ST | |
| Type | BLF 5.08HC/02/90F SN OR... | Version |
| Order No. | 1002090000 | PCB plug-in connector, female plug, 5.08 mm, Number of poles: 2, |
| GTIN (EAN) | 4032248694044 | 90°, PUSH IN with actuator, Clamping range, max. : 3.31 mm², Box |
| Qty. | 90 ST | |
| Type | BLF 5.08HC/02/90F SN BK... | Version |
| Order No. | 1000220001 | PCB plug-in connector, female plug, 5.08 mm, Number of poles: 2, |
| GTIN (EAN) | 4032248690183 | 90°, PUSH IN with actuator, Clamping range, max. : 3.31 mm², Box |
| Qty. | 90 ST | |

BLF 5.08HC/90 SN



Just as reliable as the millionfold proven original and featuring innovative details:

The BLF 5.08HC PUSH IN version of the BLZP 5.08HC female connector is not only different in terms of connection system; it also has a more compact design. Weidmüller's innovative PUSH IN spring connection system stands for the future of easy and tool-free wire connection. HC = High Current.

In terms of versatility, the BLF 5.08HC offers just as much as the version which served as a model:

- 3 tested-and-proven wire outlet directions provide the usual flexibility for application-specific design
- 4 flange variations and the patented release latch allow the locking concept to be based on the requirements of the user
- Use the BLF 5.08HC and SL 5.08HC plug combination to reach the max. rated specifications

General ordering data

| | | |
|------------|----------------------------|--|
| Type | BLF 5.08HC/02/90 SN BK ... | Version |
| Order No. | 1000030001 | PCB plug-in connector, female plug, 5.08 mm, Number of poles: 2, |
| GTIN (EAN) | 4032248689965 | 90°, PUSH IN with actuator, Clamping range, max. : 3.31 mm², Box |
| Qty. | 180 ST | |

WMF 2.5 FU BLZ PE SW

Weidmüller Interface GmbH & Co. KG
 Klingenbergstraße 26
 D-32758 Detmold
 Germany

www.weidmueller.com

Accessories

| | | |
|------------|----------------------------|--|
| Type | BLF 5.08HC/02/90 SN OR ... | Version |
| Order No. | 1001530000 | PCB plug-in connector, female plug, 5.08 mm, Number of poles: 2, |
| GTIN (EAN) | 4032248693337 | 90°, PUSH IN with actuator, Clamping range, max. : 3.31 mm², Box |
| Qty. | 180 ST | |
| Type | BLF 5.08HC/03/90 SN BK ... | Version |
| Order No. | 1000040001 | PCB plug-in connector, female plug, 5.08 mm, Number of poles: 3, |
| GTIN (EAN) | 4032248689972 | 90°, PUSH IN with actuator, Clamping range, max. : 3.31 mm², Box |
| Qty. | 120 ST | |
| Type | BLF 5.08HC/03/90 SN OR ... | Version |
| Order No. | 1001540000 | PCB plug-in connector, female plug, 5.08 mm, Number of poles: 3, |
| GTIN (EAN) | 4032248693344 | 90°, PUSH IN with actuator, Clamping range, max. : 3.31 mm², Box |
| Qty. | 120 ST | |
| Type | BLF 5.08HC/03/90 SN OR ... | Version |
| Order No. | 2766910000 | PCB plug-in connector, female plug, 5.08 mm, Number of poles: 3, |
| GTIN (EAN) | 4064675022527 | 90°, PUSH IN with actuator, Clamping range, max. : 3.31 mm², Box |
| Qty. | 120 ST | |
| Type | BLF 5.08HC/03/90 SN OR ... | Version |
| Order No. | 2764380000 | PCB plug-in connector, female plug, 5.08 mm, Number of poles: 3, |
| GTIN (EAN) | 4064675017332 | 90°, PUSH IN with actuator, Tension-clamp connection, Clamping range, max. : 3.31 mm², Box |
| Qty. | 120 ST | |
| Type | BLF 5.08HC/04/90 SN BK ... | Version |
| Order No. | 1000050001 | PCB plug-in connector, female plug, 5.08 mm, Number of poles: 4, |
| GTIN (EAN) | 4032248689989 | 90°, PUSH IN with actuator, Clamping range, max. : 3.31 mm², Box |
| Qty. | 90 ST | |
| Type | BLF 5.08HC/04/90 SN OR ... | Version |
| Order No. | 1001550000 | PCB plug-in connector, female plug, 5.08 mm, Number of poles: 4, |
| GTIN (EAN) | 4032248693351 | 90°, PUSH IN with actuator, Clamping range, max. : 3.31 mm², Box |
| Qty. | 90 ST | |
| Type | BLF 5.08HC/05/90 SN BK ... | Version |
| Order No. | 1000060001 | PCB plug-in connector, female plug, 5.08 mm, Number of poles: 5, |
| GTIN (EAN) | 4032248689996 | 90°, PUSH IN with actuator, Clamping range, max. : 3.31 mm², Box |
| Qty. | 72 ST | |
| Type | BLF 5.08HC/05/90 SN OR ... | Version |
| Order No. | 1001560000 | PCB plug-in connector, female plug, 5.08 mm, Number of poles: 5, |
| GTIN (EAN) | 4032248693368 | 90°, PUSH IN with actuator, Clamping range, max. : 3.31 mm², Box |
| Qty. | 72 ST | |
| Type | BLF 5.08HC/06/90 SN BK ... | Version |
| Order No. | 1000070001 | PCB plug-in connector, female plug, 5.08 mm, Number of poles: 6, |
| GTIN (EAN) | 4032248690008 | 90°, PUSH IN with actuator, Clamping range, max. : 3.31 mm², Box |
| Qty. | 60 ST | |
| Type | BLF 5.08HC/06/90 SN OR ... | Version |
| Order No. | 1001570000 | PCB plug-in connector, female plug, 5.08 mm, Number of poles: 6, |
| GTIN (EAN) | 4032248693375 | 90°, PUSH IN with actuator, Clamping range, max. : 3.31 mm², Box |
| Qty. | 60 ST | |
| Type | BLF 5.08HC/07/90 SN OR ... | Version |
| Order No. | 1001580000 | PCB plug-in connector, female plug, 5.08 mm, Number of poles: 7, |
| GTIN (EAN) | 4032248693382 | 90°, PUSH IN with actuator, Clamping range, max. : 3.31 mm², Box |
| Qty. | 48 ST | |
| Type | BLF 5.08HC/08/90 SN BK ... | Version |
| Order No. | 1000090001 | PCB plug-in connector, female plug, 5.08 mm, Number of poles: 8, |
| GTIN (EAN) | 4032248690022 | 90°, PUSH IN with actuator, Clamping range, max. : 3.31 mm², Box |
| Qty. | 42 ST | |

WMF 2.5 FU BLZ PE SW

Weidmüller Interface GmbH & Co. KG
 Klingenbergstraße 26
 D-32758 Detmold
 Germany

www.weidmueller.com

Accessories

| | | |
|------------|----------------------------|---|
| Type | BLF 5.08HC/08/90 SN OR ... | Version |
| Order No. | 1001590000 | PCB plug-in connector, female plug, 5.08 mm, Number of poles: 8, |
| GTIN (EAN) | 4032248693399 | 90°, PUSH IN with actuator, Clamping range, max. : 3.31 mm², Box |
| Qty. | 42 ST | |
| Type | BLF 5.08HC/09/90 SN OR ... | Version |
| Order No. | 1001600000 | PCB plug-in connector, female plug, 5.08 mm, Number of poles: 9, |
| GTIN (EAN) | 4032248693405 | 90°, PUSH IN with actuator, Clamping range, max. : 3.31 mm², Box |
| Qty. | 36 ST | |
| Type | BLF 5.08HC/10/90 SN BK ... | Version |
| Order No. | 1000110001 | PCB plug-in connector, female plug, 5.08 mm, Number of poles: 10, |
| GTIN (EAN) | 4032248690046 | 90°, PUSH IN with actuator, Clamping range, max. : 3.31 mm², Box |
| Qty. | 36 ST | |
| Type | BLF 5.08HC/10/90 SN OR ... | Version |
| Order No. | 1001610000 | PCB plug-in connector, female plug, 5.08 mm, Number of poles: 10, |
| GTIN (EAN) | 4032248693412 | 90°, PUSH IN with actuator, Clamping range, max. : 3.31 mm², Box |
| Qty. | 36 ST | |
| Type | BLF 5.08HC/11/90 SN BK ... | Version |
| Order No. | 1000120001 | PCB plug-in connector, female plug, 5.08 mm, Number of poles: 11, |
| GTIN (EAN) | 4032248690060 | 90°, PUSH IN with actuator, Clamping range, max. : 3.31 mm², Box |
| Qty. | 30 ST | |
| Type | BLF 5.08HC/11/90 SN OR ... | Version |
| Order No. | 1001620000 | PCB plug-in connector, female plug, 5.08 mm, Number of poles: 11, |
| GTIN (EAN) | 4032248693429 | 90°, PUSH IN with actuator, Clamping range, max. : 3.31 mm², Box |
| Qty. | 30 ST | |
| Type | BLF 5.08HC/12/90 SN BK ... | Version |
| Order No. | 1000130001 | PCB plug-in connector, female plug, 5.08 mm, Number of poles: 12, |
| GTIN (EAN) | 4032248690084 | 90°, PUSH IN with actuator, Clamping range, max. : 3.31 mm², Box |
| Qty. | 30 ST | |
| Type | BLF 5.08HC/12/90 SN OR ... | Version |
| Order No. | 1001630000 | PCB plug-in connector, female plug, 5.08 mm, Number of poles: 12, |
| GTIN (EAN) | 4032248693436 | 90°, PUSH IN with actuator, Clamping range, max. : 3.31 mm², Box |
| Qty. | 30 ST | |
| Type | BLF 5.08HC/13/90 SN BK ... | Version |
| Order No. | 1000140001 | PCB plug-in connector, female plug, 5.08 mm, Number of poles: 13, |
| GTIN (EAN) | 4032248690091 | 90°, PUSH IN with actuator, Clamping range, max. : 3.31 mm², Box |
| Qty. | 24 ST | |
| Type | BLF 5.08HC/13/90 SN OR ... | Version |
| Order No. | 1001640000 | PCB plug-in connector, female plug, 5.08 mm, Number of poles: 13, |
| GTIN (EAN) | 4032248693443 | 90°, PUSH IN with actuator, Clamping range, max. : 3.31 mm², Box |
| Qty. | 24 ST | |
| Type | BLF 5.08HC/14/90 SN BK ... | Version |
| Order No. | 1000150001 | PCB plug-in connector, female plug, 5.08 mm, Number of poles: 14, |
| GTIN (EAN) | 4032248690107 | 90°, PUSH IN with actuator, Clamping range, max. : 3.31 mm², Box |
| Qty. | 24 ST | |
| Type | BLF 5.08HC/14/90 SN OR ... | Version |
| Order No. | 1001650000 | PCB plug-in connector, female plug, 5.08 mm, Number of poles: 14, |
| GTIN (EAN) | 4032248693450 | 90°, PUSH IN with actuator, Clamping range, max. : 3.31 mm², Box |
| Qty. | 24 ST | |
| Type | BLF 5.08HC/15/90 SN OR ... | Version |
| Order No. | 1001660000 | PCB plug-in connector, female plug, 5.08 mm, Number of poles: 15, |
| GTIN (EAN) | 4032248693467 | 90°, PUSH IN with actuator, Clamping range, max. : 3.31 mm², Box |
| Qty. | 24 ST | |

WMF 2.5 FU BLZ PE SW

Weidmüller Interface GmbH & Co. KG
 Klingenbergstraße 26
 D-32758 Detmold
 Germany

www.weidmueller.com

Accessories

| | | |
|------------|----------------------------|---|
| Type | BLF 5.08HC/16/90 SN BK ... | Version |
| Order No. | 1000170001 | PCB plug-in connector, female plug, 5.08 mm, Number of poles: 16, |
| GTIN (EAN) | 4032248690121 | 90°, PUSH IN with actuator, Clamping range, max. : 3.31 mm², Box |
| Qty. | 18 ST | |
| Type | BLF 5.08HC/16/90 SN OR ... | Version |
| Order No. | 1001670000 | PCB plug-in connector, female plug, 5.08 mm, Number of poles: 16, |
| GTIN (EAN) | 4032248693474 | 90°, PUSH IN with actuator, Clamping range, max. : 3.31 mm², Box |
| Qty. | 18 ST | |
| Type | BLF 5.08HC/17/90 SN BK ... | Version |
| Order No. | 1000180001 | PCB plug-in connector, female plug, 5.08 mm, Number of poles: 17, |
| GTIN (EAN) | 4032248690138 | 90°, PUSH IN with actuator, Clamping range, max. : 3.31 mm², Box |
| Qty. | 18 ST | |
| Type | BLF 5.08HC/17/90 SN OR ... | Version |
| Order No. | 1001680000 | PCB plug-in connector, female plug, 5.08 mm, Number of poles: 17, |
| GTIN (EAN) | 4032248693481 | 90°, PUSH IN with actuator, Clamping range, max. : 3.31 mm², Box |
| Qty. | 18 ST | |
| Type | BLF 5.08HC/18/90 SN BK ... | Version |
| Order No. | 1000190001 | PCB plug-in connector, female plug, 5.08 mm, Number of poles: 18, |
| GTIN (EAN) | 4032248690145 | 90°, PUSH IN with actuator, Clamping range, max. : 3.31 mm², Box |
| Qty. | 18 ST | |
| Type | BLF 5.08HC/18/90 SN OR ... | Version |
| Order No. | 1001690000 | PCB plug-in connector, female plug, 5.08 mm, Number of poles: 18, |
| GTIN (EAN) | 4032248693498 | 90°, PUSH IN with actuator, Clamping range, max. : 3.31 mm², Box |
| Qty. | 18 ST | |
| Type | BLF 5.08HC/19/90 SN BK ... | Version |
| Order No. | 1000200001 | PCB plug-in connector, female plug, 5.08 mm, Number of poles: 19, |
| GTIN (EAN) | 4032248690152 | 90°, PUSH IN with actuator, Clamping range, max. : 3.31 mm², Box |
| Qty. | 18 ST | |
| Type | BLF 5.08HC/19/90 SN OR ... | Version |
| Order No. | 1001700000 | PCB plug-in connector, female plug, 5.08 mm, Number of poles: 19, |
| GTIN (EAN) | 4032248693504 | 90°, PUSH IN with actuator, Clamping range, max. : 3.31 mm², Box |
| Qty. | 18 ST | |
| Type | BLF 5.08HC/20/90 SN OR ... | Version |
| Order No. | 1001710000 | PCB plug-in connector, female plug, 5.08 mm, Number of poles: 20, |
| GTIN (EAN) | 4032248693511 | 90°, PUSH IN with actuator, Clamping range, max. : 3.31 mm², Box |
| Qty. | 18 ST | |