

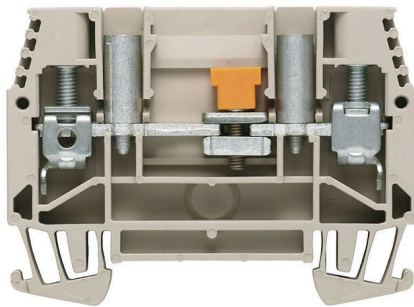
WTL 6/1/STB**Weidmüller Interface GmbH & Co. KG**

Klingenbergstraße 26

D-32758 Detmold

Germany

www.weidmueller.com

Product image**Current and voltage transformer wiring**

Our test disconnect terminal blocks featuring spring and screw connection technology allow you to create all the important converter circuits for measuring current, voltage and power in a safe and sophisticated way.

General ordering data

Version	Measuring transformer disconnect terminal, Screw connection, 500, 41, 2
Order No.	1016900000
Type	WTL 6/1/STB
GTIN (EAN)	4008190029715
Qty.	50 items

Technical data

Approvals

Approvals



ROHS Conform

UL File Number Search [UL Website](#)

Certificate No. (UR) E60693

Dimensions and weights

Depth	47.5 mm	Depth (inches)	1.8701 inch
Depth including DIN rail	48.5 mm	Height	65 mm
Height (inches)	2.5591 inch	Width	7.9 mm
Width (inches)	0.311 inch	Net weight	23.92 g

Temperatures

Storage temperature	-25 °C...55 °C	Ambient temperature	-5 °C...40 °C
Continuous operating temp., min.	-50 °C	Continuous operating temp., max.	120 °C

Environmental Product Compliance

RoHS Compliance Status	Compliant with exemption
RoHS Exemption (if applicable/known)	6c
REACH SVHC	Lead 7439-92-1
SCIP	0eb7d846-d0a1-43e5-93a4-d7c6856c4cda

Material data

Basic material	Wemid	Colour	dark beige
UL 94 flammability rating	V-0		

System specifications

Version	Screw connection, Spacer, With sockets, One end without connector	End cover plate required	Yes
Number of potentials	1	Number of levels	1
Number of clamping points per level	2	Number of potentials per tier	1
PE connection	No	Mounting rail	TS 35
N-function	No	PE function	No
PEN function	No		

Additional technical data

Open sides	right	Number of similar terminals	1
Explosion-tested version	No	Type of mounting	Snap-on

CSA rating data

Wire cross section max. (CSA)	8 AWG	Voltage size C (CSA)	600 V
Current size C (CSA)	45 A	Certificate No. (CSA)	200039-1057876
Wire cross section min. (CSA)	20 AWG		

Technical data

Conductors for clamping (additional connection)

Connection type, additional connection Screw connection

Conductors for clamping (rated connection)

Gauge to IEC 60947-1	A5	Wire connection cross section AWG, max.	AWG 8
Connection direction	on side	Tightening torque, max.	1.6 Nm
Tightening torque, min.	1 Nm	Stripping length	12 mm
Type of connection	Screw connection	Number of connections	2
Clamping range, max.	10 mm ²	Clamping range, min.	0.5 mm ²
Clamping screw	M 3.5	Blade size	0.8 x 4.0 mm
Wire connection cross section AWG, min.	AWG 20	Wire connection cross-section, finely stranded with wire-end ferrules DIN 46228/4, max.	6 mm ²
Wire connection cross-section, finely stranded with wire-end ferrules DIN 46228/4, min.	0.5 mm ²	Wire connection cross-section, finely stranded with wire-end ferrules DIN 46228/1, max.	6 mm ²
Wire connection cross-section, finely stranded with wire-end ferrules DIN 46228/1, min.	0.5 mm ²	Wire connection cross section, finely stranded, max.	10 mm ²
Wire connection cross section, finely stranded, min.	0.5 mm ²	Connection cross-section, stranded, max.	10 mm ²
Connection cross-section, stranded, min.	0.5 mm ²	Torque level with DMS electric screwdriver	3
Wire connection cross-section, solid core, max.	10 mm ²	Wire connection cross-section, solid core, min.	0.5 mm ²

Dimensions

TS 35 offset 30 mm

General

Wire connection cross section AWG, max.	AWG 8	Wire connection cross section AWG, min.	AWG 20
Mounting rail	TS 35		

Rating data

Rated cross-section	6 mm ²	Rated voltage	500 V
Rated DC voltage	630 V	Nominal current	41 A
Current at maximum wires	57 A	Volume resistance according to IEC 60947-7-x	0.78 mΩ
Rated impulse withstand voltage	6 kV	Power loss in accordance with IEC 60947-7-x	1.31 W
Pollution severity	3		

UL rating data

Conductor size Factory wiring max. (UR)	8 AWG	Current size C (UR)	45 A
Voltage size C (UR)	300 V	Conductor size Factory wiring min. (UR)	20 AWG
Certificate No. (UR)	E60693	Conductor size Field wiring min. (UR)	20 AWG
Conductor size Field wiring max. (UR)	8 AWG		

Technical data

Classifications

ETIM 8.0	EC000902	ETIM 9.0	EC000902
ETIM 10.0	EC000902	ECLASS 14.0	27-25-01-09
ECLASS 15.0	27-25-01-09		

Drawings



Accessories

End plates and partition plates



Partition plates and end plates are essential accessories for terminal blocks. Partition plates provide optical and electrical separation of different potentials and functional groups, increasing safety and ensuring a clear structure inside the control cabinet. End plates close the terminal block row on the sides, protect against contact with live parts, and ensure a clean, stable finish. Both components are precisely matched to the respective Weidmüller terminal block series, contributing to safe, compliant, and professional wiring.

General ordering data

Type	WAP WTL6/1	Version
Order No.	1068300000	End plate for terminals, dark beige, Height: 65 mm, Width: 1.5 mm,
GTIN (EAN)	4008190088330	V-0, Wemid, Snap-on: No
Qty.	20 ST	
Type	WTW WTL6/1 DB	Version
Order No.	1068400000	Partition plate (terminal), dark beige, Height: 65 mm, Width: 1.5 mm,
GTIN (EAN)	4008190091996	V-0, Wemid
Qty.	20 ST	

Disconnect plugs



In contrast to the terminal blocks with integrated disconnect lever, our disconnect plugs can be completely detached or removed from the terminal block and the respective application and offer a flexible alternative solution to our standard disconnectors.

General ordering data

Type	QL 2 SAK6N	Version
Order No.	0194300000	Cross-connector (terminal), when screwed in, grey, 41 A, Number of
GTIN (EAN)	4008190182854	poles: 2, Pitch in mm (P): 7.90, Insulated: No, Width: 13.9 mm
Qty.	50 ST	

Cross-connections



The distribution or multiplication of a potential to adjoining terminal blocks is realized via a cross-connection. Additional wiring effort can be easily avoided. Even if the poles are broken out, contact reliability in the terminal blocks is still ensured. Our portfolio offers pluggable and screwable cross-connection systems for modular terminal blocks.

WTL 6/1/STB

Weidmüller Interface GmbH & Co. KG
 Klingenbergstraße 26
 D-32758 Detmold
 Germany

www.weidmueller.com

Accessories

General ordering data

Type	QL 3 SAK6N	Version
Order No.	0194400000	Cross-connector (terminal), when screwed in, grey, 41 A, Number of poles: 3, Pitch in mm (P): 7.90, Insulated: No, Width: 21.8 mm
GTIN (EAN)	4008190063351	
Qty.	50 ST	
Type	QL 4 SAK6N	Version
Order No.	0194500000	Cross-connector (terminal), when screwed in, grey, 57 A, Number of poles: 4, Pitch in mm (P): 7.90, Insulated: No, Width: 29.7 mm
GTIN (EAN)	4008190025601	
Qty.	50 ST	

Disconnect plugs

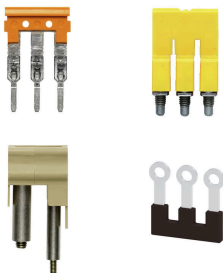


In contrast to the terminal blocks with integrated disconnect lever, our disconnect plugs can be completely detached or removed from the terminal block and the respective application and offer a flexible alternative solution to our standard disconnectors.

General ordering data

Type	QL 10 SAK6N	Version
Order No.	0338300000	Cross-connector (terminal), when screwed in, grey, 41 A, Number of poles: 10, Pitch in mm (P): 7.90, Insulated: No, Width: 77.1 mm
GTIN (EAN)	4008190176679	
Qty.	20 ST	

Cross-connections



The distribution or multiplication of a potential to adjoining terminal blocks is realized via a cross-connection. Additional wiring effort can be easily avoided. Even if the poles are broken out, contact reliability in the terminal blocks is still ensured. Our portfolio offers pluggable and screwable cross-connection systems for modular terminal blocks.

General ordering data

Type	VH 12/4.9/3.3	Version
Order No.	0249000000	Connecting sleeve (terminal), when screwed in, Width: 4.9 mm, Height: 4.9 mm, Depth: 12 mm, Number of poles: 1, Copper
GTIN (EAN)	4008190129507	
Qty.	100 ST	

Accessories

Accessorie



Current and voltage transformer wiring
 Our test disconnect terminal blocks featuring spring and screw connection technology allow you to create all the important converter circuits for measuring current, voltage and power in a safe and sophisticated way.

General ordering data

Type	KISC M3X20 SAK10 CU5	Version	
Order No.	0377100000	SAK Series, Mounting screw, Copper	
GTIN (EAN)	4008190060350		
Qty.	100 ST		
Type	QVS 2 SAKT1+2	Version	
Order No.	0307300000	Cross-connector (terminal), when screwed in, beige, 41 A, Number of	
GTIN (EAN)	4008190036140	poles: 2, Pitch in mm (P): 12.00, Insulated: Yes, Width: 15.4 mm	
Qty.	20 ST		

Cross-connections



The distribution or multiplication of a potential to adjoining terminal blocks is realized via a cross-connection. Additional wiring effort can be easily avoided. Even if the poles are broken out, contact reliability in the terminal blocks is still ensured. Our portfolio offers pluggable and screwable cross-connection systems for modular terminal blocks.

General ordering data

Type	QVS 3 SAKT1+2	Version	
Order No.	0329300000	Cross-connector (terminal), when screwed in, beige, 41 A, Number of	
GTIN (EAN)	4008190084714	poles: 3, Pitch in mm (P): 12.00, Insulated: Yes, Width: 22 mm	
Qty.	20 ST		

Accessorie



Current and voltage transformer wiring
 Our test disconnect terminal blocks featuring spring and screw connection technology allow you to create all the important converter circuits for measuring current, voltage and power in a safe and sophisticated way.

WTL 6/1/STB

Weidmüller Interface GmbH & Co. KG
 Klingenbergstraße 26
 D-32758 Detmold
 Germany

www.weidmueller.com

Accessories

General ordering data

Type	STB 35 IH/BL	Version	
Order No.	0388700000	Socket (terminal), Plug-in depth: 8 mm, Depth: 37.5 mm	
GTIN (EAN)	4008190082383		
Qty.	50 ST		

Testadapter and testsockets



Test adapters and test plugs are used for the electrical connection between terminal blocks and the test equipment. In this way, an electrical contact can be established in the wired state and measurements can be done easily.

General ordering data

Type	STB 35 IH/GN	Version	
Order No.	0388900000	Socket (terminal), Plug-in depth: 8 mm, Depth: 37.5 mm	
GTIN (EAN)	4008190010409		
Qty.	50 ST		

Accessorie



Current and voltage transformer wiring
 Our test disconnect terminal blocks featuring spring and screw connection technology allow you to create all the important converter circuits for measuring current, voltage and power in a safe and sophisticated way.

General ordering data

Type	STB 35 IH/GE	Version	
Order No.	0389000000	Socket (terminal), Plug-in depth: 8 mm, Depth: 37.5 mm	
GTIN (EAN)	4008190396985		
Qty.	50 ST		

WTL 6/1/STB

Weidmüller Interface GmbH & Co. KG

Klingenbergstraße 26

D-32758 Detmold

Germany

www.weidmueller.com

Accessories

Testadapter and testsockets



Test adapters and test plugs are used for the electrical connection between terminal blocks and the test equipment. In this way, an electrical contact can be established in the wired state and measurements can be done easily.

General ordering data

Type	STB 35 IH/VI	Version	
Order No.	0389100000	Socket (terminal), Plug-in depth: 8 mm, Depth: 37.5 mm	
GTIN (EAN)	4008190137755		
Qty.	50 ST		

Cross-connections



The distribution or multiplication of a potential to adjoining terminal blocks is realized via a cross-connection. Additional wiring effort can be easily avoided. Even if the poles are broken out, contact reliability in the terminal blocks is still ensured. Our portfolio offers pluggable and screwable cross-connection systems for modular terminal blocks.

General ordering data

Type	VH 19/6.3/4.3	Version	
Order No.	0318000000	Connecting sleeve (terminal), when screwed in, Width: 6 mm, Height: 6 mm, Depth: 19 mm, Number of poles: 1, Cu Zn	
GTIN (EAN)	4008190059460		
Qty.	50 ST		

Blank



The Dekafix (DEK) marker is the universal marker for all conductor and plug-in connectors as well as for electronic sub-assemblies. The system is ideal for short number sequences and covers a wide range of ready-printed markers.

Strips for fast installation in only one work step. The printing is easy to read, rich in contrast and available in various widths.

- Large range of ready-to-use markers
 - Strips for fast installation
 - Terminal markers, suitable for all Weidmüller cable connectors
 - Available as blank MultiCard or with standard printing
- For custom printing: Please send us a file of our labeling software M-Print PRO or M-Print PRO Online (without installation) for your labeling specifications.

WTL 6/1/STB

Weidmüller Interface GmbH & Co. KG
 Klingenbergstraße 26
 D-32758 Detmold
 Germany

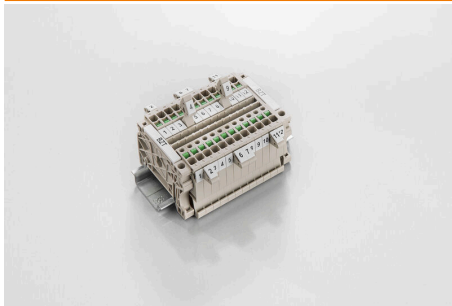
www.weidmueller.com

Accessories

General ordering data

Type	DEK 5/8 MC NE WS	Version
Order No.	1856740000	Dekafix, Terminal marker, 5 x 8 mm, Pitch in mm (P): 8.00
GTIN (EAN)	4032248400850	Weidmueller, white
Qty.	800 ST	
Type	WS 12/8 PLUS MC NE WS	Version
Order No.	1906000000	WS, Terminal marker, 12 x 8 mm, Pitch in mm (P): 8.00 Weidmueller,
GTIN (EAN)	4032248528158	white
Qty.	420 ST	

Marker holder



The marker holder offer the possibility of additional mounting of standard markers with a pitch of 5 or 5.1 mm. The angled holders can be optionally snapped together and could be mounted in all standard marking channels of the Klippon® Connect modular terminal blocks. Fitting marker types could be found under the respective accessories of the designation marking holder.

General ordering data

Type	BZT 1 WS 10/5	Version
Order No.	1805490000	Accessories, Marker holder
GTIN (EAN)	4032248270231	
Qty.	100 ST	
Type	BZT 1 ZA WS 10/5	Version
Order No.	1805520000	Accessories, Marker holder
GTIN (EAN)	4032248270248	
Qty.	100 ST	

Accessorie



Current and voltage transformer wiring
 Our test disconnect terminal blocks featuring spring and screw connection technology allow you to create all the important converter circuits for measuring current, voltage and power in a safe and sophisticated way.

General ordering data

Type	QVS 4 SAKT1+2	Version
Order No.	0307400000	Cross-connector (terminal), when screwed in, beige, 41 A, Number of
GTIN (EAN)	4008190091941	poles: 4, Pitch in mm (P): 12.00, Insulated: Yes, Width: 30 mm
Qty.	20 ST	
Type	QVS 2/S SAKT1+2	Version
Order No.	0358460000	Cross-connector (terminal), when screwed in, beige, 41 A, Number of
GTIN (EAN)	4008190157937	poles: 2, Pitch in mm (P): 12.00, Insulated: Yes, Width: 15.4 mm
Qty.	20 ST	

WTL 6/1/STB

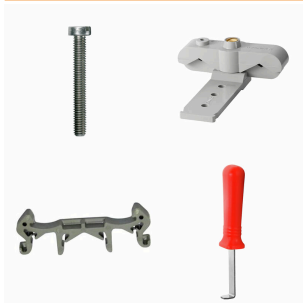
Weidmüller Interface GmbH & Co. KG
 Klingenbergstraße 26
 D-32758 Detmold
 Germany

www.weidmueller.com

Accessories

Type	QVS 2/4 SAKT4	Version
Order No.	1319260000	Cross-connector (terminal), when screwed in, orange, 32 A, Number of poles: 2, Pitch in mm (P): 12.00, Insulated: Yes, Width: 11 mm
GTIN (EAN)	4008190136512	
Qty.	20 ST	
Type	BS 25 IH/BL SAKT1	Version
Order No.	0335400000	Mounting screw (Terminal), 3.00 mm, Steel, Brass, Depth: 28.7 mm, Width: 5.5 mm, Height: 5.5 mm
GTIN (EAN)	4008190086879	
Qty.	50 ST	

Mounting support



We offer a broad portfolio of mounting support for easy handling and supplementation of our products. From various tools to insulating sleeves and various screws, our components are matched to each other down to the last detail and thus facilitate assembly in compliance with the respective standards and protective regulations.

General ordering data

Type	BS 25 IH/GE SAKT1	Version
Order No.	0335700000	Mounting screw (Terminal), 3.00 mm, Steel, Brass, Depth: 28.7 mm, Width: 5.5 mm, Height: 5.5 mm
GTIN (EAN)	4008190189235	
Qty.	50 ST	

Accessorie



Current and voltage transformer wiring
 Our test disconnect terminal blocks featuring spring and screw connection technology allow you to create all the important converter circuits for measuring current, voltage and power in a safe and sophisticated way.

General ordering data

Type	BS 25 IH/GN SAKT1	Version
Order No.	0335600000	Mounting screw (Terminal), 3.00 mm, Steel, Brass, Depth: 28.7 mm, Width: 5.5 mm, Height: 5.5 mm
GTIN (EAN)	4008190113490	
Qty.	50 ST	
Type	BS 25 IH/GR SAKT1	Version
Order No.	0335300000	Mounting screw (Terminal), 3.00 mm, Steel, Brass, Depth: 28.7 mm, Width: 5.5 mm, Height: 5.5 mm
GTIN (EAN)	4008190136864	
Qty.	50 ST	
Type	BS 25 IH/RT SAKT1	Version
Order No.	0335500000	Mounting screw (Terminal), 3.00 mm, Steel, Brass, Depth: 28.7 mm, Width: 5.5 mm, Height: 5.5 mm
GTIN (EAN)	4008190118877	
Qty.	50 ST	

WTL 6/1/STB

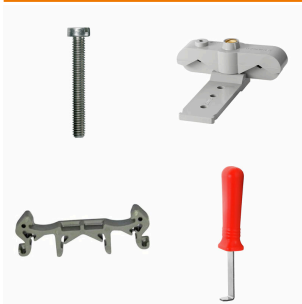
Weidmüller Interface GmbH & Co. KG
 Klingenbergstraße 26
 D-32758 Detmold
 Germany

www.weidmueller.com

Accessories

Type	BS 25 IH/SW SAKT 1	Version
Order No.	0335200000	Mounting screw (Terminal), 3.00 mm, Steel, Brass, Depth: 28.7 mm,
GTIN (EAN)	4008190114039	Width: 5.5 mm, Height: 5.5 mm
Qty.	50 ST	

Mounting support



We offer a broad portfolio of mounting support for easy handling and supplementation of our products. From various tools to insulating sleeves and various screws, our components are matched to each other down to the last detail and thus facilitate assembly in compliance with the respective standards and protective regulations.

General ordering data

Type	BS 25 IH/VI SAKT 1	Version
Order No.	0335800000	Mounting screw (Terminal), 3.00 mm, Steel, Brass, Depth: 28.7 mm,
GTIN (EAN)	4008190039196	Width: 5.5 mm, Height: 5.5 mm
Qty.	50 ST	
Type	BS 25 O.IH SAKT 1	Version
Order No.	0334700000	Mounting screw (Terminal), 3.00 mm, Brass, Depth: 28.7 mm, Width:
GTIN (EAN)	4008190118839	5.5 mm, Height: 5.5 mm
Qty.	50 ST	

Accessorie



Current and voltage transformer wiring
 Our test disconnect terminal blocks featuring spring and screw connection technology allow you to create all the important converter circuits for measuring current, voltage and power in a safe and sophisticated way.

General ordering data

Type	STB 30.5 IH/SW	Version
Order No.	0341000000	Socket (terminal), Plug-in depth: 10 mm, Depth: 31.7 mm
GTIN (EAN)	4008190015299	
Qty.	50 ST	
Type	STB 30.5 IH/GR	Version
Order No.	0341100000	Socket (terminal), Plug-in depth: 10 mm, Depth: 31.7 mm
GTIN (EAN)	4008190083960	
Qty.	50 ST	
Type	STB 30.5 IH/BL	Version
Order No.	0341200000	Socket (terminal), Plug-in depth: 10 mm, Depth: 31.7 mm
GTIN (EAN)	4008190044077	
Qty.	50 ST	

WTL 6/1/STB

Weidmüller Interface GmbH & Co. KG
 Klingenbergstraße 26
 D-32758 Detmold
 Germany

www.weidmueller.com

Accessories

Testadapter and testsockets



Test adapters and test plugs are used for the electrical connection between terminal blocks and the test equipment. In this way, an electrical contact can be established in the wired state and measurements can be done easily.

General ordering data

Type	STB 30.5 IH/RT	Version
Order No.	0341300000	Socket (terminal), Plug-in depth: 10 mm, Depth: 31.7 mm
GTIN (EAN)	4008190157852	
Qty.	50 ST	

Accessorie



Current and voltage transformer wiring
 Our test disconnect terminal blocks featuring spring and screw connection technology allow you to create all the important converter circuits for measuring current, voltage and power in a safe and sophisticated way.

General ordering data

Type	STB 30.5 IH/GN	Version
Order No.	0341400000	Socket (terminal), Plug-in depth: 10 mm, Depth: 31.7 mm
GTIN (EAN)	4008190008093	
Qty.	50 ST	
Type	STB 30.5 IH/GE	Version
Order No.	0341500000	Socket (terminal), Plug-in depth: 10 mm, Depth: 31.7 mm
GTIN (EAN)	4008190130961	
Qty.	50 ST	
Type	STB 30.5 IH/VI	Version
Order No.	0341600000	Socket (terminal), Plug-in depth: 10 mm, Depth: 31.7 mm
GTIN (EAN)	4008190026035	
Qty.	50 ST	

WTL 6/1/STB

Weidmüller Interface GmbH & Co. KG
 Klingenbergstraße 26
 D-32758 Detmold
 Germany

www.weidmueller.com

Accessories

Testadapter and testsockets



Test adapters and test plugs are used for the electrical connection between terminal blocks and the test equipment. In this way, an electrical contact can be established in the wired state and measurements can be done easily.

General ordering data

Type	STB 25 IH/RT	Version
Order No.	0343300000	Socket (terminal), Plug-in depth: 13 mm, Depth: 30.5 mm
GTIN (EAN)	4008190034115	
Qty.	50 ST	

Accessorie



Current and voltage transformer wiring
 Our test disconnect terminal blocks featuring spring and screw connection technology allow you to create all the important converter circuits for measuring current, voltage and power in a safe and sophisticated way.

General ordering data

Type	STB 25 IH/BL	Version
Order No.	0343400000	Socket (terminal), Plug-in depth: 13 mm, Depth: 30.5 mm
GTIN (EAN)	4008190107192	
Qty.	50 ST	
Type	STB 25 IH/SW	Version
Order No.	0271500000	Socket (terminal), Plug-in depth: 13 mm, Depth: 30 mm
GTIN (EAN)	4008190030162	
Qty.	50 ST	

Testadapter and testsockets



Test adapters and test plugs are used for the electrical connection between terminal blocks and the test equipment. In this way, an electrical contact can be established in the wired state and measurements can be done easily.

WTL 6/1/STB

Weidmüller Interface GmbH & Co. KG
 Klingenbergstraße 26
 D-32758 Detmold
 Germany

www.weidmueller.com

Accessories

General ordering data

Type	STB 25 IH/GN	Version
Order No.	0271200000	Socket (terminal), Plug-in depth: 13 mm, Depth: 30.5 mm
GTIN (EAN)	4008190155889	
Qty.	50 ST	
Type	STB 25 IH/VI	Version
Order No.	0271300000	Socket (terminal), Plug-in depth: 13 mm, Depth: 30 mm
GTIN (EAN)	4008190111342	
Qty.	50 ST	

Accessorie



Current and voltage transformer wiring
 Our test disconnect terminal blocks featuring spring and screw connection technology allow you to create all the important converter circuits for measuring current, voltage and power in a safe and sophisticated way.

General ordering data

Type	STB 25 IH/GR	Version
Order No.	0271400000	Socket (terminal), Plug-in depth: 13 mm, Depth: 30 mm
GTIN (EAN)	4008190029692	
Qty.	50 ST	
Type	STB 25 IH/GE	Version
Order No.	0267200000	Socket (terminal), Plug-in depth: 13 mm, Depth: 30 mm
GTIN (EAN)	4008190002862	
Qty.	50 ST	
Type	STB 35 IH/SW	Version
Order No.	0388500000	Socket (terminal), Plug-in depth: 8 mm, Depth: 37.5 mm
GTIN (EAN)	4008190089726	
Qty.	50 ST	
Type	STB 35 IH/GR	Version
Order No.	0388600000	Socket (terminal), Plug-in depth: 8 mm, Depth: 37.5 mm
GTIN (EAN)	4008190140656	
Qty.	50 ST	
Type	STB 35 IH/RT	Version
Order No.	0388800000	Socket (terminal), Plug-in depth: 8 mm, Depth: 37.5 mm
GTIN (EAN)	4008190177485	
Qty.	50 ST	

WTL 6/1/STB

Weidmüller Interface GmbH & Co. KG
 Klingenbergstraße 26
 D-32758 Detmold
 Germany

www.weidmueller.com

Accessories

Cross-connections



The distribution or multiplication of a potential to adjoining terminal blocks is realized via a cross-connection. Additional wiring effort can be easily avoided. Even if the poles are broken out, contact reliability in the terminal blocks is still ensured. Our portfolio offers pluggable and screwable cross-connection systems for modular terminal blocks.

General ordering data

Type	QS 2/8/4	Version	
Order No.	0270960000	Cross-connector (terminal), Plugged, beige, 44 A, Number of poles: 2,	
GTIN (EAN)	4008190077006	Pitch in mm (P): 8.00, Insulated: Yes, Width: 12 mm	
Qty.	20 ST		

End bracket



Weidmüller's range of products includes end brackets that guarantee a permanent, reliable mounting on the terminal rail and prevent sliding. Versions with and without screws are available. The end brackets include marking options, also for group markers, and also a test plug holder.

General ordering data

Type	WEW 35/2	Version	
Order No.	1061200000	End bracket, dark beige, TS 35, HB, Wemid, Width: 8 mm, 100 °C	
GTIN (EAN)	4008190030230		
Qty.	50 ST		

Accessorie



Current and voltage transformer wiring
 Our test disconnect terminal blocks featuring spring and screw connection technology allow you to create all the important converter circuits for measuring current, voltage and power in a safe and sophisticated way.

General ordering data

Type	SSP 3 SAKT1	Version	
Order No.	0531760000	Lockout device (terminal), orange	
GTIN (EAN)	4008190130787		
Qty.	100 ST		

WTL 6/1/STB

Weidmüller Interface GmbH & Co. KG
 Klingenbergstraße 26
 D-32758 Detmold
 Germany

Accessories

www.weidmueller.com

End plates and partition plates



Partition plates and end plates are essential accessories for terminal blocks. Partition plates provide optical and electrical separation of different potentials and functional groups, increasing safety and ensuring a clear structure inside the control cabinet. End plates close the terminal block row on the sides, protect against contact with live parts, and ensure a clean, stable finish. Both components are precisely matched to the respective Weidmüller terminal block series, contributing to safe, compliant, and professional wiring.

General ordering data

Type	TSCH 2	Version
Order No.	0353660000	Small partition (terminal), PA 66, beige, Continuous operating temp.,
GTIN (EAN)	4008190128432	max.: 100 °C
Qty.	100 ST	

DEK 5/8



WS/ DEK

MultiMark terminal markers use an innovative composite material made from two components. The hard base contour of the marker snaps securely into the connector. The elastic surface finish makes the marker easy to mount. This specially punched material enables the strips to be stretched to accommodate the slight variations in spacing that tend to add up, especially with long terminal blocks. Another advantage: the excellent printability of the surface material guarantees durable and wear-resistant labelling. A print resolution of 300 dpi also produces a very legible script.

Your benefits with MultiMark

- Firm hold and durable printing
- Continuous strips save installation time
- Easy mounting thanks to an innovative composite material
- Large label field for optimal legibility
- High flexibility thanks to manufacturer independence

General ordering data

Type	DEK 5/8 MM WS	Version
Order No.	2007130000	Dekafix, Terminal marker, 5 x 8 mm, Weidmueller, white
GTIN (EAN)	4050118392012	
Qty.	500 ST	

Accessorie



Current and voltage transformer wiring
 Our test disconnect terminal blocks featuring spring and screw connection technology allow you to create all the important converter circuits for measuring current, voltage and power in a safe and sophisticated way.

General ordering data

Type	STB 21.6/45 BL	Version
Order No.	1936290000	Socket (terminal), Plug-in depth: 11.1 mm, 0.00 mm, Depth: 45 mm
GTIN (EAN)	4032248606023	
Qty.	50 ST	
Type	STB 21.6/45 DB	Version
Order No.	1938790000	Socket (terminal), Plug-in depth: 11.1 mm, 0.00 mm, Depth: 45 mm
GTIN (EAN)	4032248612840	
Qty.	50 ST	
Type	STB 21.6/45 GE	Version
Order No.	1936240000	Socket (terminal), Plug-in depth: 11.1 mm, 0.00 mm, Depth: 45 mm
GTIN (EAN)	4032248605972	
Qty.	50 ST	
Type	STB 21.6/45 GN	Version
Order No.	1936250000	Socket (terminal), Plug-in depth: 11.1 mm, 0.00 mm, Depth: 45 mm
GTIN (EAN)	4032248605989	
Qty.	50 ST	

Testadapter and testsockets



Test adapters and test plugs are used for the electrical connection between terminal blocks and the test equipment. In this way, an electrical contact can be established in the wired state and measurements can be done easily.

General ordering data

Type	STB 21.6/45 GR	Version
Order No.	1936280000	Socket (terminal), Plug-in depth: 11.1 mm, 0.00 mm, Depth: 45 mm
GTIN (EAN)	4032248606016	
Qty.	50 ST	
Type	STB 21.6/45 RT	Version
Order No.	1936300000	Socket (terminal), Plug-in depth: 11.1 mm, 0.00 mm, Depth: 45 mm
GTIN (EAN)	4032248606030	
Qty.	50 ST	

WTL 6/1/STB

Weidmüller Interface GmbH & Co. KG
 Klingenbergstraße 26
 D-32758 Detmold
 Germany

Accessories

www.weidmueller.com

Accessorie



Current and voltage transformer wiring
 Our test disconnect terminal blocks featuring spring and screw connection technology allow you to create all the important converter circuits for measuring current, voltage and power in a safe and sophisticated way.

General ordering data

Type	STB 21.6/45 SW	Version	
Order No.	1936270000	Socket (terminal), Plug-in depth: 11.1 mm, 0.00 mm, Depth: 45 mm	
GTIN (EAN)	4032248606009		
Qty.	50 ST		

Testadapter and testsockets



Test adapters and test plugs are used for the electrical connection between terminal blocks and the test equipment. In this way, an electrical contact can be established in the wired state and measurements can be done easily.

General ordering data

Type	STB 21.6/45 VI	Version	
Order No.	1936260000	Socket (terminal), Plug-in depth: 11.1 mm, 0.00 mm, Depth: 45 mm	
GTIN (EAN)	4032248605996		
Qty.	50 ST		

Accessorie



Current and voltage transformer wiring
 Our test disconnect terminal blocks featuring spring and screw connection technology allow you to create all the important converter circuits for measuring current, voltage and power in a safe and sophisticated way.

General ordering data

Type	STB 36.8/IH/BL WTL6/1	Version	
Order No.	1847790000	Socket (terminal), Plug-in depth: 11.1 mm, Depth: 39.8 mm	
GTIN (EAN)	4032248379149		
Qty.	50 ST		

WTL 6/1/STB

Weidmüller Interface GmbH & Co. KG
 Klingenbergstraße 26
 D-32758 Detmold
 Germany

www.weidmueller.com

Accessories

Type	STB 36.8/IH/GN WTL6/1	Version
Order No.	1847770000	Socket (terminal), Plug-in depth: 11.1 mm, Depth: 39.8 mm
GTIN (EAN)	4032248379163	
Qty.	50 ST	
Type	STB 36.8/IH/RT WTL6/1	Version
Order No.	1312540000	Socket (terminal), Plug-in depth: 11.1 mm, Depth: 39.8 mm
GTIN (EAN)	4050118180992	
Qty.	50 ST	

Testadapter and testsockets



Test adapters and test plugs are used for the electrical connection between terminal blocks and the test equipment. In this way, an electrical contact can be established in the wired state and measurements can be done easily.

General ordering data

Type	STB 36.8/IH/SW WTL6/1	Version
Order No.	1312550000	Socket (terminal), Plug-in depth: 11.1 mm, Depth: 39.8 mm
GTIN (EAN)	4050118181210	
Qty.	50 ST	