

**WIL-LWXXX-6500D024-240SXX0.3BM12GM12G**

**Weidmüller Interface GmbH & Co. KG**  
Klingenbergstraße 26  
D-32758 Detmold  
Germany

www.weidmueller.com



The WIL-LED lights family: Only 8mm (9.4mm with magnet) high LED lamp for 24V DC with very high luminous efficacy and high lifespan (greater 60 000h). Very robust construction, by full potting and metal housing - waterproof (IP67). Due to its 6500K light color (daylight) suitable for the various applications. Optionally easily connectable with M12 connection. Due to the low power consumption, a small enough power supply with 24V for operation.

**General ordering data**

Order No.	2576960000
Type	<a href="#">WIL-LWXXX-6500D024-240SXX0.3BM12G-M12G</a>
GTIN (EAN)	4050118592863
Qty.	1 items

**WIL-LWXXX-6500D024-240SXX0.3BM12GM12G**

**Weidmüller Interface GmbH & Co. KG**  
 Klingenbergstraße 26  
 D-32758 Detmold  
 Germany

www.weidmueller.com

**Technical data**
**Approvals**

Approvals



ROHS Conform

UL File Number Search [UL Website](#)

Certificate no. (cULus) E354496

**Dimensions and weights**

Depth	40 mm	Depth (inches)	1.5748 inch
Height	8 mm	Height (inches)	0.315 inch
Width	240 mm	Width (inches)	9.4488 inch
Net weight	220 g		

**Temperatures**

Operating temperature -

**Environmental Product Compliance**

RoHS Compliance Status	Compliant with exemption
RoHS Exemption (if applicable/known)	6c
REACH SVHC	Lead 7439-92-1
SCIP	bf1e8170-69bb-4440-b3e0-4da351a9a3b0
EPREL Registration number	1410088

**Cable technical specifications**

Cable Material	PUR	Sheathing colour	black
Housing main material	hard anodised aluminium	Cable length	0.3 m
Core cross-section	0.34 mm <sup>2</sup>		

**Connection data**

LED Modul is attachable	yes	Version	Male, straight - female, straight
Number of poles	2	Coding	A-coded
Connection thread	M12 / M12	Tightening torque	0.8 Nm
Wiring	Pin 4 (Strand: black) control white LED, Pin 3 (Strand: blue)		

**Electric data**

Rated voltage	24 V DC	Rated current	0.31 A
Power	7.5 W	Dimmable	Yes

**General technical data**

Type of connection	Pre-assembled cable	Electronic equipment on rolling stock	No
Recommended class according to UL for NEC Class 2 use of an power supply		Shape of the LED module	Rectangular
Number of LEDs	14	Light colour (CCT)	6500K, White
Luminosity	3470 cd	Light current	886 lm

**WIL-LWXXX-6500D024-240SXX0.3BM12GM12G**

**Weidmüller Interface GmbH & Co. KG**  
Klingenbergstraße 26  
D-32758 Detmold  
Germany

[www.weidmueller.com](http://www.weidmueller.com)

**Technical data**

Emitting angle	40 °	Illumination level	291 lux
Operating life	60.000 h	Type of mounting	Screw mounting
Drill hole spacing	225 mm	Impact resistance	IK05
Protection degree	IP67	Efficiency class (according to EU Directive No. 874/2012)	Not required

**Material data**

Material of LED cover	ESG	Housing main material	hard anodised aluminium
Threaded ring material	PA	Material of end caps	PBT

**Classifications**

ETIM 8.0	EC000996	ETIM 9.0	EC000996
ETIM 10.0	EC000996	ECLASS 14.0	27-11-06-35
ECLASS 15.0	27-11-06-35		

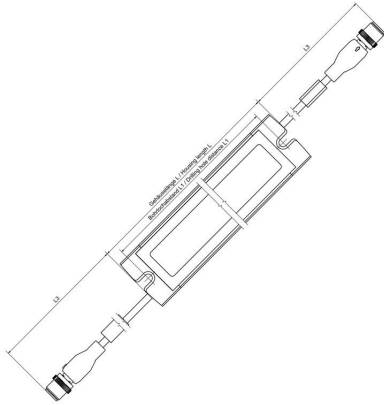
**WIL-LWXXX-6500D024-240SXX0.3BM12GM12G**

Weidmüller Interface GmbH & Co. KG  
Klingenbergstraße 26  
D-32758 Detmold  
Germany

[www.weidmueller.com](http://www.weidmueller.com)

Drawings

Dimensioned drawing



Detailed drawing



Detailed drawing



Pole scheme



## WIL-LWXXX-6500D024-240SXX0.3BM12GM12G

**Weidmüller Interface GmbH & Co. KG**  
Klingenbergstraße 26  
D-32758 Detmold  
Germany

[www.weidmueller.com](http://www.weidmueller.com)

## Accessories

### PUR halogen-free black (U)



Sensor/actuator cables are used for wiring sensors and actuators and for transmitting data or power in various applications. The moulded cable offers connected and tested connection of the plug-in connector to the cable ex-works. The cables may be exposed to a wide range of conditions, such as humidity, dust, heat, cold, shock or vibration.

Our developers have focused specifically on this issue and designed a host of different M8 and M12 sensor-actuator cables so you are bound to find the solution you need for your application.

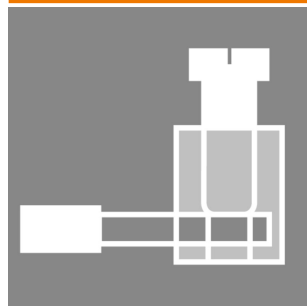
The M8 and M12 sensor-actuator cables are supplied as standard with brass nickel-plated nuts. However if you are looking to use our products in an extremely harsh environment, we can also supply a variant with a plastic nut. This enables use in environments where cables with nickel-plated M8 and M12 nuts would rust.

Is there something you have not managed to find or you feel needs explanation? Talk to us!

### General ordering data

Type	SAIP-M12BG-3-3.0U	Version
Order No.	<a href="#">1108730300</a>	Sensor/actuator line, One end without connector, M12, Number of
GTIN (EAN)	4032248888481	poles : 3, 3 m, Female socket, straight, Shielded: No, LED: No, Sheath
Qty.	1 ST	material: PUR, Halogen: No
Type	SAIL-M12BG-3-3.0U	Version
Order No.	<a href="#">9457820300</a>	Sensor/actuator line, One end without connector, M12, Number of
GTIN (EAN)	4032248228195	poles : 3, 3 m, Female socket, straight, Shielded: No, LED: No, Sheath
Qty.	1 ST	material: PUR, Halogen: No

### Screw terminal connector



Individual cable lengths are often required nowadays. In order to meet these demands, Weidmüller offers a wide range of plug-in connectors for custom assembly. Male plugs and female socket for customisable assembly for M8, M12, M16 and 7/8" connections which are highly robust and ideally suited to machine engineering, for instance. The M12 plug-in connectors offer a choice of 5 different connection systems.

The screw connection can be used in a wide range of applications. With this technology the conductor, optionally with wire-end ferrules, can be plugged into connection elements and secured with a screw. It is the classic, cheapest form of connection technology that also supports multi-conductor connections.

### General ordering data

Type	SAIBGS-P-4A-4/6-M12	Version
Order No.	<a href="#">9457240000</a>	Field attachable connector, M12
GTIN (EAN)	4008190312275	
Qty.	1 ST	

## WIL-LWXXXX-6500D024-240SXX0.3BM12GM12G

**Weidmüller Interface GmbH & Co. KG**  
 Klingenbergstraße 26  
 D-32758 Detmold  
 Germany

[www.weidmueller.com](http://www.weidmueller.com)

## Accessories

Type	SAISGS-P-4A-4/6-M12	Version	
Order No.	<a href="#">9457550000</a>	Field attachable connector, M12	
GTIN (EAN)	4032248167647		
Qty.	1 ST		

### Motion sensor screw connection



Motion detector for the WIL-LED luminaire with screw connection. Switching time adjustable.

### General ordering data

Type	WIL-BM-SK	Version	
Order No.	<a href="#">2537720000</a>		
GTIN (EAN)	4050118549157		
Qty.	1 ST		

### Motion sensor screw connection with cable



Motion detector for the WIL-LED luminaire with screw connection, 3m supply cable and M12 cable for connection to the WIL lamp. Switching time adjustable.

### General ordering data

Type	WIL-BM-SK-M12-3.0U	Version	
Order No.	<a href="#">2537700000</a>		
GTIN (EAN)	4050118549140		
Qty.	1 ST		

## WIL-LWXXX-6500D024-240SXX0.3BM12GM12G

**Weidmüller Interface GmbH & Co. KG**  
 Klingenbergstraße 26  
 D-32758 Detmold  
 Germany

[www.weidmueller.com](http://www.weidmueller.com)

## Accessories

### Magnet



Magnet for WIL lights with 240mm total length, self-adhesive

## Magnet

### General ordering data

Type	WIL-MAGNET	Version	
Order No.	<a href="#">2526810000</a>		
GTIN (EAN)	4050118537871		
Qty.	1 ST		

### Motion sensor Jackpac®



Motion detector for the WIL-LED luminaire with screw connection, 3m supply cable and M12 cable for connection to the WIL lamp. Switching time adjustable.

### General ordering data

Type	WIL-BM-JP-M12-3.0U	Version	
Order No.	<a href="#">2537710000</a>		
GTIN (EAN)	4050118549164		
Qty.	1 ST		

### Door switch



The WIL door switch is pre-assembled with an M12 cable and an access line. This allows for a simple Plug and Produce feature with our WIL LED lamp series.

## Door Switch

### General ordering data

Type	WIL-TS-M12	Version	
Order No.	<a href="#">2537730000</a>		
GTIN (EAN)	4050118549188		
Qty.	1 ST		

## WIL-LWXXX-6500D024-240SXX0.3BM12GM12G

**Weidmüller Interface GmbH & Co. KG**  
Klingenbergstraße 26  
D-32758 Detmold  
Germany

[www.weidmueller.com](http://www.weidmueller.com)

## Accessories

### Swivelling holder



Swivel bracket for WIL lights Very high quality version without detent

### Swivelling holder

#### General ordering data

Type	WIL-SCHWENKHALTER	Version	
Order No.	<a href="#">2614220000</a>		
GTIN (EAN)	4050118651249		
Qty.	1 ST		

### WIL power supply



Power supply IP65 for WIL standard family 85V-264V AC input, 24V DC output 400mA

### Power Supply

#### General ordering data

Type	WIL-NT-STANDARD	Version	
Order No.	<a href="#">2598350000</a>		
GTIN (EAN)	4050118611168		
Qty.	1 ST		

### Connect Power INSTA POWER



The single-phase INSTA-POWER switching power supplies are characterised by a wide power spectrum, compact design and good value for money. They are suitable for temperature ranges from -25°C to +70°C, have international approvals and a wide voltage input range. This makes them suitable for a wide range of applications. This also includes signal and telecommunications systems as well as automation systems with a low power requirement up to 96 Watt.

#### General ordering data

Type	PRO INSTA 30W 24V 1.3A	Version	
Order No.	<a href="#">2580190000</a>	Power supply, switch-mode power supply unit, 24 V	
GTIN (EAN)	4050118590920		
Qty.	1 ST		