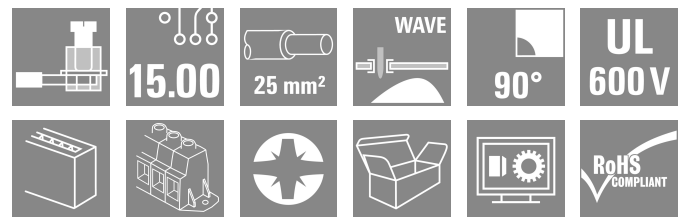
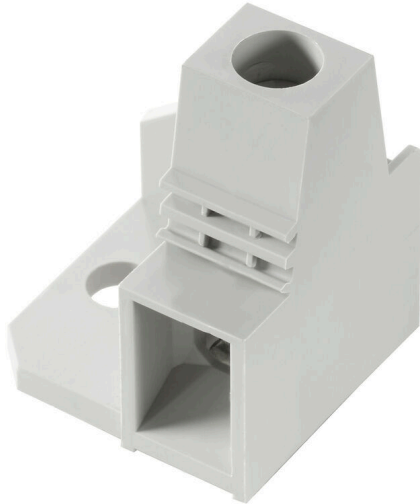


## LXBL 15.00/01/90 4.5SN GY BX

**Weidmüller Interface GmbH & Co. KG**  
 Klingenbergstraße 26  
 D-32758 Detmold  
 Germany

www.weidmueller.com



High-performance PCB terminal with proven clamping yoke connection at 15.00 mm pitch, conductor outlet direction in 90° design. Version and test point.

### General ordering data

|              |   |
|--------------|---|
| Version      | Printed circuit board terminals, 15.00 mm, Number of poles: 1, 90°, Solder pin length (l): 4.5 mm, tinned, Pebble grey, Clamping yoke connection, Clamping range, max. : 25 mm <sup>2</sup> , Box |
| Order No.    | <a href="#">1783700000</a>  |
| Type         | LXBL 15.00/01/90 4.5SN GY BX  |
| GTIN (EAN)   | 4032248184958   |
| Qty.         | 20 items  |
| Product data | IEC: 1000 V / 101 A / 1.5 - 25 mm <sup>2</sup><br>UL: 600 V / 85 A / AWG 16 - AWG 4   |
| Packaging    | Box   |

## LXBL 15.00/01/90 4.5SN GY BX

Weidmüller Interface GmbH & Co. KG  
Klingenbergstraße 26  
D-32758 Detmold  
Germany

www.weidmueller.com

## Technical data

## Approvals

Approvals



|                       |                            |
|-----------------------|----------------------------|
| ROHS                  | Conform                    |
| UL File Number Search | <a href="#">UL Website</a> |
| Certificate No. (UR)  | E60693                     |

## Dimensions and weights

|                          |             |                 |             |
|--------------------------|-------------|-----------------|-------------|
| Depth                    | 29.1 mm     | Depth (inches)  | 1.1457 inch |
| Height                   | 41.5 mm     | Height (inches) | 1.6339 inch |
| Height of lowest version | 37 mm       | Width           | 29 mm       |
| Width (inches)           | 1.1417 inch | Net weight      | 20.13 g     |

## Environmental Product Compliance

|                        |                             |
|------------------------|-----------------------------|
| RoHS Compliance Status | Compliant without exemption |
| REACH SVHC             | No SVHC above 0.1 wt%       |

## System parameters

|  |                            |  |                          |
|--|----------------------------|--|--------------------------|
| Product family                             | OMNIMATE Power - series LX | Wire connection method                       | Clamping yoke connection |
| Mounting onto the PCB                      | THT solder connection      | Conductor outlet direction                   | 90°                      |
| Pitch in mm (P)                            | 15.00 mm                   | Pitch in inches (P)                          | 0.591 "                  |
| Number of poles                            | 1                          | Pin series quantity                          | 1                        |
| Fitted by customer                         | No                         | Number of rows                               | 1                        |
| Max. adjacent poles per row                | 10                         | Solder pin length (l)                        | 4.5 mm                   |
| Solder pin dimensions                      | 1.2 x 1.2 mm               | Solder eyelet hole diameter (D)              | 1.6 mm                   |
| Solder eyelet hole diameter tolerance (D)+ | 0,1 mm                     | Number of solder pins per pole               | 4                        |
| Screwdriver blade                          | 1.0 x 5.5                  | Screwdriver blade standard                   | DIN 5264                 |
| Tightening torque, min.                    | 2.4 Nm                     | Tightening torque, max.                      | 4 Nm                     |
| Clamping screw                             | M 5                        | Stripping length                             | 16 mm                    |
| L1 in mm                                   | 0.00 mm                    | L1 in inches                                 | 0.000 "                  |
| Touch-safe protection acc. to DIN VDE 0470 | IP 10                      | Touch-safe protection acc. to DIN VDE 57 106 | Safe from finger touch   |
| Protection degree                          | IP20                       | Volume resistance                            | 0.50 mΩ                  |

## Material data

|                                       |            |                                       |                                  |
|---------------------------------------|------------|---------------------------------------|----------------------------------|
| Insulating material                   | Wemid (PA) | Colour                                | Pebble grey                      |
| Colour chart (similar)                | RAL 7032   | Insulating material group             | I                                |
| Comparative Tracking Index (CTI)      | ≥ 600      | Moisture Level (MSL)                  |                                  |
| UL 94 flammability rating             | V-0        | Contact material                      | Cu-alloy                         |
| Contact surface                       | tinned     | Layer structure of solder connection  | 1.5...3 μm Ni / 4...6 μm Sn matt |
| Storage temperature, min.             | -40 °C     | Storage temperature, max.             | 70 °C                            |
| Operating temperature, min.           | -50 °C     | Operating temperature, max.           | 120 °C                           |
| Temperature range, installation, min. | -25 °C     | Temperature range, installation, max. | 120 °C                           |

## Conductors suitable for connection

|                      |                      |
|----------------------|----------------------|
| Clamping range, min. | 1.31 mm <sup>2</sup> |
| Clamping range, max. | 25 mm <sup>2</sup>   |

## LXBL 15.00/01/90 4.5SN GY BX

**Weidmüller Interface GmbH & Co. KG**  
 Klingenbergstraße 26  
 D-32758 Detmold  
 Germany

www.weidmueller.com

### Technical data

|   |  |                              |                          |       |  |
|---|--|------------------------------|--------------------------|-------|--|
| Wire connection cross section AWG, min.         | AWG 16                                 |                              |                          |       |  |
| Wire connection cross section AWG, max.         | AWG 4                                  |                              |                          |       |  |
| Solid, min. H05(07) V-U                         | 1.5 mm <sup>2</sup>                    |                              |                          |       |  |
| Solid, max. H05(07) V-U                         | 16 mm <sup>2</sup>                     |                              |                          |       |  |
| Stranded, min. H07V-R                           | 6 mm <sup>2</sup>                      |                              |                          |       |  |
| Stranded, max. H07V-R                           | 25 mm <sup>2</sup>                     |                              |                          |       |  |
| Flexible, min. H05(07) V-K                      | 1.5 mm <sup>2</sup>                    |                              |                          |       |  |
| Flexible, max. H05(07) V-K                      | 25 mm <sup>2</sup>                     |                              |                          |       |  |
| w. plastic collar ferrule, DIN 46228 pt 4, min. | 1.5 mm <sup>2</sup>                    |                              |                          |       |  |
| w. plastic collar ferrule, DIN 46228 pt 4, max. | 16 mm <sup>2</sup>                     |                              |                          |       |  |
| w. wire end ferrule, DIN 46228 pt 1, min.       | 1.5 mm <sup>2</sup>                    |                              |                          |       |  |
| w. wire end ferrule, DIN 46228 pt 1, max.       | 16 mm <sup>2</sup>                     |                              |                          |       |  |
| Plug gauge in accordance with EN 60999 a x b; ø | 6.9 mm x 6.9 mm                        |                              |                          |       |  |
| Clampable conductor                             | Cross-section for conductor connection | Type                         | fine-wired               |       |  |
|   |  | nominal                      | 4 mm <sup>2</sup>        |       |  |
|   | wire end ferrule                       | Stripping length             | nominal                  | 15 mm |  |
|   |  | Recommended wire-end ferrule | <a href="#">H4.0/15</a>  |       |  |
|   | Cross-section for conductor connection | Type                         | fine-wired               |       |  |
|   |  | nominal                      | 6 mm <sup>2</sup>        |       |  |
|   | wire end ferrule                       | Stripping length             | nominal                  | 15 mm |  |
|   |  | Recommended wire-end ferrule | <a href="#">H6.0/15</a>  |       |  |
|   | Cross-section for conductor connection | Type                         | fine-wired               |       |  |
|   |  | nominal                      | 10 mm <sup>2</sup>       |       |  |
|   | wire end ferrule                       | Stripping length             | nominal                  | 15 mm |  |
|   |  | Recommended wire-end ferrule | <a href="#">H10.0/15</a> |       |  |
|   | Cross-section for conductor connection | Type                         | fine-wired               |       |  |
|   |  | nominal                      | 16 mm <sup>2</sup>       |       |  |
|   | wire end ferrule                       | Stripping length             | nominal                  | 15 mm |  |
|   |  | Recommended wire-end ferrule | <a href="#">H16.0/15</a> |       |  |

Reference text Length of ferrules is to be chosen depending on the product and the rated voltage., The outside diameter of the plastic collar should not be larger than the pitch (P)

### Rated data acc. to IEC

|   |                        |   |                    |
|---|------------------------|---|--------------------|
| tested acc. to standard   | IEC 60664-1, IEC 61984 | Rated current, min. number of poles (Tu=20°C)                         | 101 A              |
| Rated current, max. number of poles (Tu=20°C)                             | 101 A                  | Rated current, min. number of poles (Tu=40°C)                         | 101 A              |
| Rated current, max. number of poles (Tu=40°C)                             | 101 A                  | Rated voltage for surge voltage class / pollution degree II/2         | 1000 V             |
| Rated voltage for surge voltage class / pollution degree III/2            | 1000 V                 | Rated voltage for surge voltage class / pollution degree III/3        | 1000 V             |
| Rated impulse voltage for surge voltage class/ pollution degree II/2      | 6 kV                   | Rated impulse voltage for surge voltage class/ pollution degree III/2 | 8 kV               |
| Rated impulse voltage for surge voltage class/ contamination degree III/3 | 8 kV                   | Short-time withstand current resistance                               | 3 x 1 s mit 1000 A |

## LXBL 15.00/01/90 4.5SN GY BX

**Weidmüller Interface GmbH & Co. KG**

Klingenbergstraße 26  
D-32758 Detmold  
Germany

www.weidmueller.com

## Technical data

### Rated data acc. to CSA

|                                   |  |                                   |                |
|-----------------------------------|--|-----------------------------------|----------------|
| Institute (CSA)                   | CSA  | Certificate No. (CSA)             | 200039-1198743 |
| Rated voltage (Use group B / CSA) | 600 V  | Rated voltage (Use group C / CSA) | 600 V          |
| Rated voltage (Use group D / CSA) | 600 V  | Rated current (Use group B / CSA) | 85 A           |
| Rated current (Use group C / CSA) | 85 A   | Rated current (Use group D / CSA) | 5 A            |
| Wire cross-section, AWG, min.     | AWG 16   | Wire cross-section, AWG, max.     | AWG 4          |
| Reference to approval values      | Specifications are maximum values, details - see approval certificate. |                                   |                |

### Rated data acc. to UL 1059

|                                       |  |                                       |        |
|---------------------------------------|--|---------------------------------------|--------|
| Institute (UR)                        | UR   | Certificate No. (UR)                  | E60693 |
| Rated voltage (Use group B / UL 1059) | 600 V  | Rated voltage (Use group C / UL 1059) | 600 V  |
| Rated voltage (Use group D / UL 1059) | 600 V  | Rated current (Use group B / UL 1059) | 85 A   |
| Rated current (Use group C / UL 1059) | 85 A   | Rated current (Use group D / UL 1059) | 5 A    |
| Wire cross-section, AWG, min.         | AWG 16   | Wire cross-section, AWG, max.         | AWG 4  |
| Reference to approval values          | Specifications are maximum values, details - see approval certificate. |                                       |        |

### Packing

|           |          |            |           |
|-----------|----------|------------|-----------|
| Packaging | Box      | VPE length | 128.00 mm |
| VPE width | 91.00 mm | VPE height | 39.00 mm  |

### Type tests

|   |                |   |                              |  |
|---|----------------|---|------------------------------|--|
| Test: Durability of markings                  | Standard       | DIN EN 61984 section 7.3.2 / 09.02 taking pattern from DIN EN 60068-2-70 / 07.96                                    |                              |  |
|   | Test           | mark of origin, type identification, pitch, approval marking CSA, approval marking UL, type of material, durability |                              |  |
|   | Evaluation     | available   |                              |  |
| Test: Clampable cross section                 | Standard       | DIN EN 60999 section 6 and 8.1 / 04.94, DIN EN 60947-1 section 8.2.4.5.1 / 12.99                                    |                              |  |
|   | Conductor type | Type of conductor and conductor cross-section   | solid 1.5 mm <sup>2</sup>    |  |
|   |                | Type of conductor and conductor cross-section   | stranded 1.5 mm <sup>2</sup> |  |
|   |                | Type of conductor and conductor cross-section   | solid 16 mm <sup>2</sup>     |  |
|   |                | Type of conductor and conductor cross-section   | stranded 25 mm <sup>2</sup>  |  |
|   |                | Type of conductor and conductor cross-section   | AWG 16/1                     |  |
|   |                | Type of conductor and conductor cross-section   | AWG 16/ stranded             |  |
|   |                | Type of conductor and conductor cross-section   | AWG 4/1                      |  |
| Type of conductor and conductor cross-section |                | AWG 4/ stranded   |                              |  |

**LXBL 15.00/01/90 4.5SN GY BX**

**Weidmüller Interface GmbH & Co. KG**  
 Klingenbergstraße 26  
 D-32758 Detmold  
 Germany

www.weidmueller.com

**Technical data**

|   |                |   |                              |  |
|---|----------------|---|------------------------------|--|
| Test for damage to and accidental loosening of conductors | Evaluation     | passed  |                              |  |
|   | Standard       | DIN EN 60999 section 8.4 / 04.94              |                              |  |
|   | Requirement    | 0.4 kg  |                              |  |
|   | Conductor type | Type of conductor and conductor cross-section | solid 1.5 mm <sup>2</sup>    |  |
|   |                | Type of conductor and conductor cross-section | stranded 1.5 mm <sup>2</sup> |  |
|   |                | Type of conductor and conductor cross-section | AWG 16/7                     |  |
|   |                | Type of conductor and conductor cross-section | AWG 16/19                    |  |
|   | Evaluation     | passed  |                              |  |
|   | Requirement    | 4,5 kg  |                              |  |
|   | Conductor type | Type of conductor and conductor cross-section | AWG 4/ stranded              |  |
| Pull-out test   | Evaluation     | passed  |                              |  |
|   | Standard       | DIN EN 60999 section 8.5 / 04.94              |                              |  |
|   | Requirement    | ≥40 N   |                              |  |
|   | Conductor type | Type of conductor and conductor cross-section | H05V-U1.5                    |  |
|   |                | Type of conductor and conductor cross-section | H05V-K1.5                    |  |
|   |                | Type of conductor and conductor cross-section | AWG 16/7                     |  |
|   |                | Type of conductor and conductor cross-section | AWG 16/19                    |  |
|   | Evaluation     | passed  |                              |  |
|   | Requirement    | ≥ 135 N                                       |                              |  |
|   | Conductor type | Type of conductor and conductor cross-section | H05V-R25                     |  |
| Type of conductor and conductor cross-section             |                | H05V-K25                                      |                              |  |
| Type of conductor and conductor cross-section             |                | AWG 4/ stranded                               |                              |  |
| Evaluation  | passed         |   |                              |  |

**Important note**

IPC conformity      Conformity: The products are developed, manufactured and delivered according international recognized standards and norms and comply with the assured properties in the data sheet resp. fulfill decorative properties in accordance with IPC-A-6 10 "Class 2". Further claims on the products can be evaluated on request.

- Notes
- Additional variants on request
  - Rated current related to rated cross-section & min. No. of poles.
  - Wire end ferrule without plastic collar to DIN 46228/1
  - Wire end ferrule with plastic collar to DIN 46228/4
  - P on drawing = pitch
  - Rated data refer only to the component itself. Clearance and creepage distances to other components are to be designed in accordance with the relevant application standards.
  - The test point can only be used as potential-pickup point.

## LXBL 15.00/01/90 4.5SN GY BX

**Weidmüller Interface GmbH & Co. KG**  
Klingenbergstraße 26  
D-32758 Detmold  
Germany

[www.weidmueller.com](http://www.weidmueller.com)

## Technical data

- Long term storage of the product with average temperature of 50 °C and maximum humidity 70%, 36 months

### Classifications

|             |             |             |             |
|-------------|-------------|-------------|-------------|
| ETIM 8.0    | EC002643    | ETIM 9.0    | EC002643    |
| ETIM 10.0   | EC002643    | ECLASS 14.0 | 27-46-01-01 |
| ECLASS 15.0 | 27-46-01-01 |             |             |

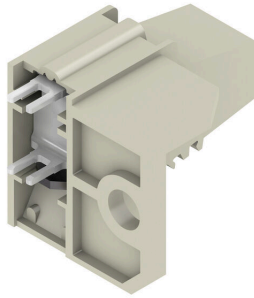
LXBL 15.00/01/90 4.5SN GY BX

Weidmüller Interface GmbH & Co. KG  
 Klingenbergstraße 26  
 D-32758 Detmold  
 Germany

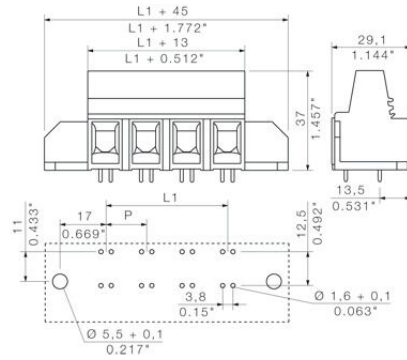
www.weidmueller.com

Drawings

Product image



Dimensional drawing



Graph



Graph



## LXBL 15.00/01/90 4.5SN GY BX

**Weidmüller Interface GmbH & Co. KG**  
Klingenbergstraße 26  
D-32758 Detmold  
Germany

[www.weidmueller.com](http://www.weidmueller.com)

## Accessories

### Additional accessories



No task is too small when creating the perfect solution. Connections form just one part of the overall process. Small details are often the key to the perfect solution in applications where potentials are tested, grouped or even isolated.

A system is not a system without small but essential details:

- Test plugs ensure reliable pick-up from diagnostic sockets

In tandem with the manufacturing process and application.

### General ordering data

|            |                            |  |  |
|------------|----------------------------|--|--|
| Type       | PS 2.0 MC                  | Version  |  |
| Order No.  | <a href="#">0310000000</a> | PCB plug-in connector, Accessories, Test plug, red, Number of poles: |  |
| GTIN (EAN) | 4008190000059              | 1  |  |
| Qty.       | 20 ST                      |  |  |