

**PVN DC 2I 1O 2MPP SPD2R CG 11**

**Weidmüller Interface GmbH & Co. KG**  
 Klingenbergstraße 26  
 D-32758 Detmold  
 Germany

www.weidmueller.com



PV Next combiner boxes for inverters with 1 to 12 MPP trackers are used to protect the DC side of a photovoltaic system. The combiner boxes protect the inverter against overvoltages and thus comply with the European Directive CLC/TS 5 1643-32. In addition, these products offer the possibility to protect the system against reverse currents and the possibility to combine strings to save cables during installation.

**General ordering data**

Version	Photovoltaics, Combiner Box, PV Next, 1100 V, 2 MPP's, 2 Inputs / 1 Output per MPP, Surge protection II, Cable gland
Order No.	<a href="#">2866330000</a>
Type	PVN DC 2I 1O 2MPP SPD2R CG 11
GTIN (EAN)	4064675604013
Qty.	1 items

# PVN DC 2I 10 2MPP SPD2R CG 11

**Weidmüller Interface GmbH & Co. KG**  
 Klingenbergstraße 26  
 D-32758 Detmold  
 Germany

www.weidmueller.com

## Technical data

### Approvals

Approvals



ROHS Conform

### Dimensions and weights

Depth	132 mm	Depth (inches)	5.1968 inch
Height	228 mm	Height (inches)	8.9764 inch
Width	200 mm	Width (inches)	7.874 inch
Net weight	1800 g		

### Temperatures

Ambient temperature -40 °C...50 °C Humidity 5...95 %, no condensation

### Environmental Product Compliance

RoHS Compliance Status	Compliant
REACH SVHC	Lead 7439-92-1
SCIP	bdab5698-6a20-4370-8e28-8810d882d01a

### Included in delivery

Included accessories	Article	Mounting foot
	Quantity	4
	Article	Sealing plug
	Quantity	8

### Approvals and norms

Approvals EN 61439-2, IEC 61439-2

### Guarantee

Time interval 5 years

### Electrical characteristics

Rated DC voltage	1100 V
Rated short-term current resistance	Rated current 67 A
Current per Maximum Power Point, max.	50.25 A
Rated DC current per connection	Current per string, max. 50.25 A

### Enclosure

Insulating material	Polyester glass-fibre reinforced, Polycarbonate	Type of mounting	4 screws, Wall mounting
Impact resistance	IK08 in accordance with IEC 62208, IK10 in accordance with IEC 62262	Enclosure attachment	Via mounting feet
Protection class	II	Connection type string	Internal terminal (with cable gland feed-through)

**PVN DC 2I 10 2MPP SPD2R CG 11**

**Weidmüller Interface GmbH & Co. KG**  
 Klingenbergstraße 26  
 D-32758 Detmold  
 Germany

www.weidmueller.com

**Technical data**

**General data**

Standards	EN 61643-31	Protection degree	IP65
Installation location	Protected outdoor area (Land and Sea)		

**Inputs**

Amount of maximum power points (MPP)	2		
Functional earth connector	Cable entry	Number of cable entries	2
		Wire connection	Type of connection PUSH IN with actuator Flexible, max. H05(07) 16 mm <sup>2</sup> V-K w. wire end ferrule, 16 mm <sup>2</sup> DIN 46228 pt 1, max.
	Number of conduit inlets	2	
		DC Input + & -	Wire connection
Cable entry	Number of cable entries 4		
Fuse type	Neither fuse cartridge nor holder		
Fuses	No		
Max. number of DC inputs	per Maximum Power Point 2 inputs connected in parallel		
Number of string inputs per MPP	≤ 2		
Surge protection auxiliary contact	Cable entry	Number of cable entries	1
		Wire connection	Type of connection Tension clamp connection with actuator Flexible, max. H05(07) 1.5 mm <sup>2</sup> V-K w. wire end ferrule, 1.5 mm <sup>2</sup> DIN 46228 pt 1, max.
	Number of inputs	4	

**Outputs**

Max. number of DC outputs	per Maximum Power Point 1 output		
DC Output + & -	Wire connection	Type of connection	PUSH IN
		Compatible cable	TÜV 2 Pfg1169/08.07 crosssection
		Wire cross-section, min.	2.5 mm <sup>2</sup>
		Wire cross-section, max.	16 mm <sup>2</sup>

**Surge protection DC side**

Standards	EN 61643-31	Discharge current, max. (8/20 μs)	40 kA
Standby power consumption PC	<0.2 W	Short-circuit current ISCPV	11000 A
Total discharge current I <sub>total</sub> (8/20 μs)	50 kA	Discharge current I <sub>n</sub> (8/20 μs)	20 kA
Requirements class	Type II	Protection level Up (-/PE)	≤ 3.8 kV

## PVN DC 2I 10 2MPP SPD2R CG 11

**Weidmüller Interface GmbH & Co. KG**  
 Klingenbergstraße 26  
 D-32758 Detmold  
 Germany

www.weidmueller.com

### Technical data

Protection level Up (+/-)	≤ 3.8 kV	Protection level Up (+/PE)	≤ 3.8 kV
PV system voltage, max. Ucpv	1100 V	Maximum continuous operating voltage DC UCPV mode +/-, -/PE, +/PE	1100 V

#### DC load break switch

Voltage type	DC	Switch disconnecter execution	no switch
--------------	----	-------------------------------	-----------

#### Important note

Product information      The SCIP number was assigned due to a lead content of more than 0.1 % of the net weight. Safe use instruction according to ECHA:  
 The identification of the hazardous substance is sufficient to allow safe use of the article throughout its life cycle, including the service life, disassembly and waste/recycling phase

#### Classifications

ETIM 8.0	EC003857	ETIM 9.0	EC003857
ETIM 10.0	EC003857	ECLASS 14.0	22-57-02-92
ECLASS 15.0	22-57-02-92		

#### Tender specification sheets

Long specification      Combiner box for inverters with 2 MPP tracker, suitable for protecting the DC side of a photovoltaic system according to EN 51543-32. MPP1: 2 inputs, connection via M25 cable gland with 3x7mm Ø cable entry. PUSH IN connection / 2.5 - 6mm<sup>2</sup> single-wire, multi-wire, with/without ferrule. 1 output, connection via M25 cable gland with 3x7mm Ø cable entry. PUSH IN connection / 2.5 - 6mm<sup>2</sup> single-wire, multi-wire, with/without ferrule. MPP2: identical to MPP1  
 Max. string voltage Uoc: 1100V  
 1 class/type II arrester with signal contact  
 Connection of the signal contact via cable glands (8-12mmØ) max. conductor cross-section: 1.5mm<sup>2</sup>  
 Connection of the functional earth via cable glands (8-12mmØ) Conductor cross-section: 16-25mm<sup>2</sup>  
 Protection class: IP65  
 All built into a glas fibre reinforced polyester housing. Dimensions HxWxD: 228x200x132 mm  
 Approval according to low voltage switchgear

**PVN DC 2I 10 2MPP SPD2R CG 11**

**Weidmüller Interface GmbH & Co. KG**  
Klingenbergstraße 26  
D-32758 Detmold  
Germany

**Technical data**

[www.weidmueller.com](http://www.weidmueller.com)

and controlgear IEC  
61439-1:2011 and EN  
61439-2:2011

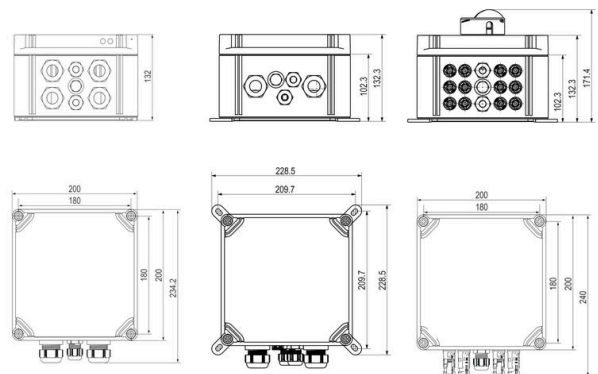
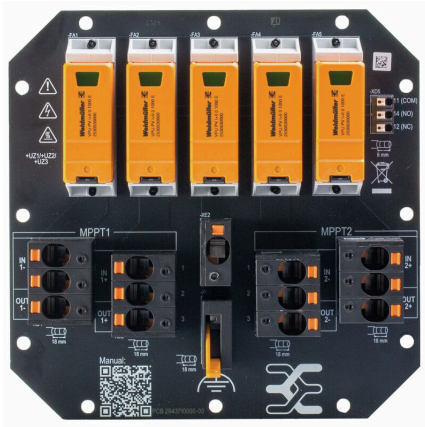
PVN DC 2I 10 2MPP SPD2R CG 11

Weidmüller Interface GmbH & Co. KG  
Klingenbergstraße 26  
D-32758 Detmold  
Germany

www.weidmueller.com

Drawings

PCB design

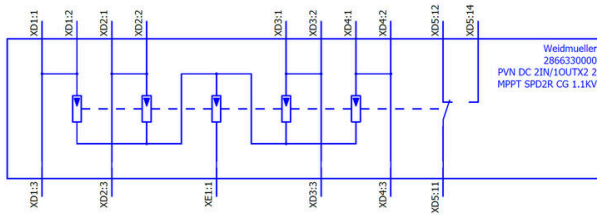


PVN DC 2I 10 2MPP SPD2R CG 11

Weidmüller Interface GmbH & Co. KG  
Klingenbergstraße 26  
D-32758 Detmold  
Germany

Drawings

www.weidmueller.com



## PVN DC 2I 10 2MPP SPD2R CG 11

**Weidmüller Interface GmbH & Co. KG**  
 Klingenbergstraße 26  
 D-32758 Detmold  
 Germany

[www.weidmueller.com](http://www.weidmueller.com)

## Accessories

### PV Sun Covers



#### General ordering data

Type	PV SUNCOVER 20/20/13	Version	
Order No.	<a href="#">8000143243</a>	Photovoltaics, Sun cover	
GTIN (EAN)	4099987111829		
Qty.	1 ST		

### Cutting tools



Cutting tools for conductors up to 8 mm, 12 mm, 14 mm and 22 mm outside diameter. The special blade geometry allows pinch-free cutting of copper and aluminium conductors with minimum physical effort. The cutting tools (KT 8 to KT 22) also come with VDE and GS-tested protective insulation up to 1,000 V in accordance with EN/IEC 60900.

#### General ordering data

Type	KT 14	Version	
Order No.	<a href="#">1157820000</a>	Cutting tools, Cutting tool for one-hand operation	
GTIN (EAN)	4032248945344		
Qty.	1 ST		

### Tools



- For flexible and solid conductors with special insulating materials
- High-quality stripping for industrial applications (complies with aircraft industry requirements)
- Specially shaped blades enable stripping of special types of insulation and conductor configurations
- Stripping length adjustable via end stop
- Very versatile thanks to interchangeable stripping units
- Stripping results reproduced accurately over and over again
- No damage to the conductor
- A long-lasting, reliable tool thanks to its sturdy design
- Integrated cutting function

## PVN DC 2I 10 2MPP SPD2R CG 11

**Weidmüller Interface GmbH & Co. KG**  
 Klingenbergstraße 26  
 D-32758 Detmold  
 Germany

www.weidmueller.com

## Accessories

### General ordering data

Type	MULTI-STRIPAX PV	Version	
Order No.	<a href="#">1190490000</a>	Version	Photovoltaics, Plug-in connector
GTIN (EAN)	4032248973262		
Qty.	1 ST		

### Crosshead screwdriver Phillips



VDE insulated crosshead screwdriver, for Phillips screws, SDIK PH DIN 7438, ISO 8764/2-PH, output to ISO 8764-PH, SoftFinish grip

### General ordering data

Type	SDIK PH3 X 150	Version	
Order No.	<a href="#">2749910000</a>	Version	Screwdriver, Blade width (B): 3 mm, 150 mm, Blade thickness (A): 3
GTIN (EAN)	4050118897210		
Qty.	1 ST		

### Slotted screwdriver



VDE insulated slot-head screwdriver, SDI DIN 7437, ISO 2380/2, drive output acc. to DIN 5264, ISO 2380/1. SoftFinish grip

### General ordering data

Type	SDIS 0.6X3.5X100	Version	
Order No.	<a href="#">2749810000</a>	Version	Screwdriver, Blade width (B): 3.5 mm, Blade length: 100 mm, Blade thickness (A): 0.6 mm
GTIN (EAN)	4050118897012		
Qty.	1 ST		
Type	SDIS 1.0X5.5X125	Version	
Order No.	<a href="#">2749850000</a>	Version	Screwdriver, Blade width (B): 5.5 mm, Blade length: 125 mm, Blade thickness (A): 1 mm
GTIN (EAN)	4050118897050		
Qty.	1 ST		

**PVN DC 2I 10 2MPP SPD2R CG 11**

**Weidmüller Interface GmbH & Co. KG**  
 Klingenbergstraße 26  
 D-32758 Detmold  
 Germany

www.weidmueller.com

**Accessories**

**External fixing lugs**



External attachment lugs 4-part set

**General ordering data**

Type	MF FPC	Version	
Order No.	<a href="#">9536040000</a>	FPC (polycarbonate empty enclosure), Mounting foot, Fixing lugs,	
GTIN (EAN)	4032248009442	Height: 40 mm, Width: 19 mm, Depth: 35.5 mm, Basic material:	
Qty.	1 ST	Polyamide, Polyamide 66, Light Grey	

**UV-resistant cable ties**



UV-resistant polyamide 6.6 ensures long durability of our special cable ties even with strong UV radiation. Ideal for continuous outdoor use.

**General ordering data**

Type	CB-UVR 290/4,5 BK	Version	
Order No.	<a href="#">26593350000</a>	Cable ties, 4.5 x 290 mm, Polyamide 66, 220 N	
GTIN (EAN)	4050118682816		
Qty.	100 ST		

**Sealing sets**



**General ordering data**

Type	SL SET PV NEXT	Version	
Order No.	<a href="#">2729230000</a>	Photovoltaics	
GTIN (EAN)	4050118804508		
Qty.	1 ST		

## PVN DC 2I 10 2MPP SPD2R CG 11

**Weidmüller Interface GmbH & Co. KG**  
 Klingenbergstraße 26  
 D-32758 Detmold  
 Germany

www.weidmueller.com

## Accessories

### Y-Connector Cables



The Y cable is used for the parallel connection of several strings in a PV system, e.g. for splitting a line in front of an inverter.  
 The cables are available in different connection variants.

### General ordering data

Type	PVHYM-M-XXX6W+11	Version	
Order No.	<a href="#">2877850000</a>	Photovoltaics, Y-Connector Cable, 1x WM4 C Female, 2x MC4 Male,	
GTIN (EAN)	4064675666417	6mm <sup>2</sup> , 1100 V	
Qty.	1 ST		
Type	PVHYM+M+XXX6W-11	Version	
Order No.	<a href="#">2877860000</a>	Photovoltaics, Y-Connector Cable, 1x WM4 C Male, 2x MC4 Female,	
GTIN (EAN)	4064675666424	6mm <sup>2</sup> , 1100 V	
Qty.	1 ST		

### Sealing sets



### General ordering data

Type	BLINDPLUG SET5 7X28MM	Version	
Order No.	<a href="#">3077670000</a>	Photovoltaics, Blind plug	
GTIN (EAN)	4099987081894		
Qty.	1 ST		
Type	BLINDPLUG SET50 7X28MM	Version	
Order No.	<a href="#">3077650000</a>	Photovoltaics, Blind plug, Accessories, Blind plug, 50 pieces	
GTIN (EAN)	4099987081870		
Qty.	1 ST		

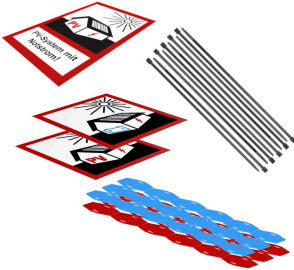
**PVN DC 2I 10 2MPP SPD2R CG 11**

**Weidmüller Interface GmbH & Co. KG**  
 Klingenbergstraße 26  
 D-32758 Detmold  
 Germany

www.weidmueller.com

**Accessories**

**PV marking sets**

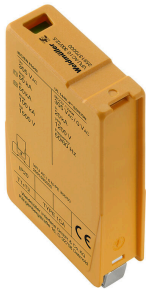


**General ordering data**

Type	PV MARKER 1-3 MPP	Version	
Order No.	<a href="#">8000149520</a>		
GTIN (EAN)	4099987229197		
Qty.	1 ST		

Photovoltaics, Device markers, Accessories, Conductor and cable markers, Cable ties, Marking set, Warning label, Cable marker, Self-adhesive

**Spare Arrester**



**General ordering data**

Type	VPU PV II O 1000	Version	
Order No.	<a href="#">2530660000</a>		
GTIN (EAN)	4050118540871		
Qty.	9 ST		

Surge voltage arrester, Low voltage, Accessories, Spare arrester