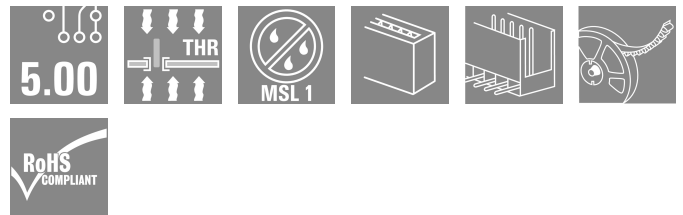


SHL-SMT 5.00/02GL 4.2RL

Weidmüller Interface GmbH & Co. KG
 Klingenbergstraße 26
 D-32758 Detmold
 Germany

www.weidmueller.com

Product image



High-temperature-resistant, straight, open pin header.
 Packed in box or tape. On tape and with 1.5 mm solder pin, optimised for automatic assembly. 3.2 mm solder pin suitable for reflow and wave soldering. The pin headers provide space for labelling and can be coded. HC = High Current.

General ordering data

Version	PCB plug-in connector, Connection element, left, male header, open side, THT/THR solder connection, 5.00 mm, Number of poles: 2, 90°, Solder pin length (l): 1.5 mm, tinned, black, Tape
Order No.	1069650000
Type	SHL-SMT 5.00/02GL 4.2RL
GTIN (EAN)	4032248825103
Qty.	260 items
Product data	IEC: 400 V UL: 300 V / 9 A / AWG 26 - AWG 12
Packaging	Tape

SHL-SMT 5.00/02GL 4.2RL

Weidmüller Interface GmbH & Co. KG
Klingenbergstraße 26
D-32758 Detmold
Germany

www.weidmueller.com

Technical data

Approvals

Approvals



ROHS	Conform
UL File Number Search	UL Website
Certificate No. (cURus)	E60693

Dimensions and weights

Depth	21.2 mm	Depth (inches)	0.8346 inch
Height	14.4 mm	Height (inches)	0.5669 inch
Height of lowest version	6.2 mm	Width	10.6 mm
Width (inches)	0.4173 inch	Length	0 mm
Net weight	1.89 g		

Environmental Product Compliance

RoHS Compliance Status	Compliant without exemption
REACH SVHC	No SVHC above 0.1 wt%

System Parameters

Product family	OMNIMATE Housing - series CH20M	Type of connection	Board connection
Pitch in mm (P)	5.00 mm	Pitch in inches (P)	0.197 "
Number of poles	2	L1 in mm	5.00 mm
L1 in inches	0.197 "	Number of rows	1
Pin series quantity	1	Protection degree	IP20
Volume resistance	≤5 mΩ	Can be coded	Yes

Material data

Insulating material	LCP	Colour	black
Colour chart (similar)	RAL 9011	Insulating material group	IIIa
Comparative Tracking Index (CTI)	175 ≤ CTI <400	Moisture Level (MSL)	1
UL 94 flammability rating	V-0	Contact material	Copper alloy
Contact surface	tinned	Storage temperature, min.	-40 °C
Storage temperature, max.	70 °C	Operating temperature, min.	-40 °C
Operating temperature, max.	120 °C	Temperature range, installation, min.	-30 °C
Temperature range, installation, max.	120 °C		

Rated data acc. to IEC

tested acc. to standard	IEC 60664-1, IEC 61984	Rated current, max. number of poles (Tu=20°C)	10 A
Rated current, max. number of poles (Tu=40°C)	9 A	Rated voltage for surge voltage class / pollution degree II/2	400 V
Rated voltage for surge voltage class / pollution degree III/2	320 V	Rated voltage for surge voltage class / pollution degree III/3	250 V
Rated impulse voltage for surge voltage class/ pollution degree II/2	4 kV	Rated impulse voltage for surge voltage class/ pollution degree III/2	4 kV
Rated impulse voltage for surge voltage class/ contamination degree III/3	4 kV		

SHL-SMT 5.00/02GL 4.2RL

Weidmüller Interface GmbH & Co. KG

Klingenbergstraße 26
D-32758 Detmold
Germany

www.weidmueller.com

Technical data

Rated data acc. to CSA

Institute (CSA)	CSA	Certificate No. (CSA)	200039-70153051
Rated voltage (Use group B / CSA)	300 V	Rated voltage (Use group C / CSA)	50 V
Rated voltage (Use group D / CSA)	300 V	Rated current (Use group B / CSA)	9 A
Rated current (Use group C / CSA)	9 A	Rated current (Use group D / CSA)	9 A
Wire cross-section, AWG, min.	AWG 26	Wire cross-section, AWG, max.	AWG 12
Reference to approval values	Specifications are maximum values, details - see approval certificate.		

Rated data acc. to UL 1059

Institute (cURus)	CURUS	Certificate No. (cURus)	E60693
Rated voltage (Use group B / UL 1059)	300 V	Rated voltage (Use group C / UL 1059)	50 V
Rated voltage (Use group D / UL 1059)	300 V	Rated current (Use group B / UL 1059)	9 A
Rated current (Use group C / UL 1059)	9 A	Rated current (Use group D / UL 1059)	9 A
Wire cross-section, AWG, min.	AWG 26	Wire cross-section, AWG, max.	AWG 12
Reference to approval values	Specifications are maximum values, details - see approval certificate.		

Material data

UL 94 flammability rating	V-0	Insulating material	LCP
Insulating material group	IIIa	Comparative Tracking Index (CTI)	175 ≤ CTI <400

General data

Colour	black	Protection degree	IP20
Colour chart (similar)	RAL 9011	Encapsulation option	No

Important note

IPC conformity	Conformity: The products are developed, manufactured and delivered according international recognized standards and norms and comply with the assured properties in the data sheet resp. fulfill decorative properties in accordance with IPC-A-610 "Class 2". Further claims on the products can be evaluated on request.
----------------	--

Classifications

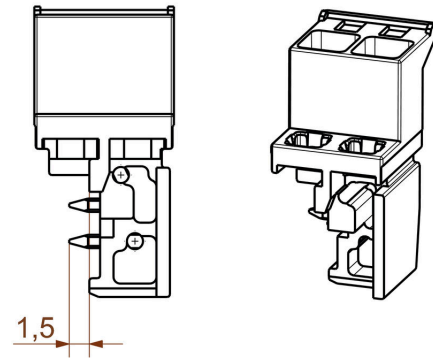
ETIM 8.0	EC002637	ETIM 9.0	EC002637
ETIM 10.0	EC002637	ECLASS 14.0	27-46-02-01
ECLASS 15.0	27-46-02-01		

Drawings

Example of use



Dimensioned drawing



Example of use



delivery

Example of use



delivery

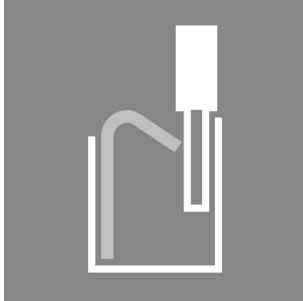
SHL-SMT 5.00/02GL 4.2RL

Weidmüller Interface GmbH & Co. KG
 Klingenbergstraße 26
 D-32758 Detmold
 Germany

www.weidmueller.com

Counterpart

Female plugs - PUSH IN spring connection



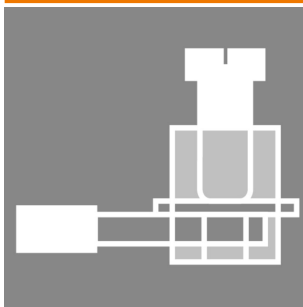
The optimum framework for function and innovation: The connection technology for the modular CH20M housing offers you numerous advantages that can make your projects more efficient. With our PCB terminal blocks and connectors, you benefit from flexible and reliable connection technology.

Thanks to automated production processes such as THT and THR soldering and reel packaging, we can guarantee high quality and precision. This enables fast and uncomplicated integration into your systems. In addition, we offer you a wide range of colors as well as various coding and printing options to customize your housings. This allows you to ensure that your products are not only functional, but also visually appealing.

General ordering data

Type	BHF 5.00/02/180LH BK/OR	Version
Order No.	1988380000	PCB plug-in connector, female plug, 5.00 mm, Number of poles: 2,
GTIN (EAN)	4050118534955	180°, PUSH IN with actuator, Box
Qty.	150 ST	
Type	BHF 5.00/02/180LH BK/BL	Version
Order No.	1989220000	PCB plug-in connector, female plug, 5.00 mm, Number of poles: 2,
GTIN (EAN)	4050118373721	180°, PUSH IN with actuator, Box
Qty.	150 ST	
Type	BHF 5.00/02/180LH BK/BK	Version
Order No.	1497740000	PCB plug-in connector, female plug, 5.00 mm, Number of poles: 2,
GTIN (EAN)	4050118306835	180°, PUSH IN with actuator, Box
Qty.	150 ST	

Female plugs - Clamping yoke screw connection



The optimum framework for function and innovation: The connection technology for the modular CH20M housing offers you numerous advantages that can make your projects more efficient. With our PCB terminal blocks and connectors, you benefit from flexible and reliable connection technology.

Thanks to automated production processes such as THT and THR soldering and reel packaging, we can guarantee high quality and precision. This enables fast and uncomplicated integration into your systems. In addition, we offer you a wide range of colors as well as various coding and printing options to customize your housings. This allows you to ensure that your products are not only functional, but also visually appealing.

General ordering data

Type	BHZ 5.00/02/90LH BK/OR	Version
Order No.	1063260000	PCB plug-in connector, female plug, 5.00 mm, Number of poles: 2,
GTIN (EAN)	4032248814923	90°, Clamping yoke connection, cod. 02, Box
Qty.	150 ST	

SHL-SMT 5.00/02GL 4.2RL

Weidmüller Interface GmbH & Co. KG
Klingenbergstraße 26
D-32758 Detmold
Germany

www.weidmueller.com

Counterpart

Type	BHZ 5.00/02/90LH BK/BL	Version
Order No.	1069360000	PCB plug-in connector, female plug, 5.00 mm, Number of poles: 2,
GTIN (EAN)	4032248824625	90°, Clamping yoke connection, cod. 02, Box
Qty.	150 ST	
Type	BHZ 5.00/02/90LH BK/BK	Version
Order No.	1069330000	PCB plug-in connector, female plug, 5.00 mm, Number of poles: 2,
GTIN (EAN)	4032248824939	90°, Clamping yoke connection, cod. 02, Box
Qty.	150 ST	