

**IE-FCI-PWB-FR-OR****Weidmüller Interface GmbH & Co. KG**

Klingenbergstraße 26

D-32758 Detmold

Germany

www.weidmueller.com



FrontCom® Vario integrates multiple functions in only one single frame. The system is easy to install and you can select from a wide range of data, signal and power modules. In addition to being extremely compact, Front-Com® Vario offers a number of unique product features that will make your project planning and work activities secure, fast and future-proof. Furthermore, the Front-Com® Vario system has an attractive housing design that, by the way, offers highest impact-resistance and fully meets the requirements of IP 65 protection class.

**General ordering data**

Version	FrontCom, Insert Power large, Type E, Socket connector, FR, orange
Order No.	<a href="#">2007230000</a>
Type	IE-FCI-PWB-FR-OR
GTIN (EAN)	4050118392135
Qty.	1 items

## IE-FCI-PWB-FR-OR

Weidmüller Interface GmbH &amp; Co. KG

Klingenbergstraße 26

D-32758 Detmold

Germany

www.weidmueller.com

## Technical data

## Approvals

Approvals



ROHS Conform

## Dimensions and weights

Net weight 34 g

## Temperatures

Storage temperature -10 °C...70 °C Operating temperature -5 °C...35 °C

Installation temperature

## Environmental Product Compliance

RoHS Compliance Status Compliant without exemption

REACH SVHC No SVHC above 0.1 wt%

## General data

Protection degree IP20 Insert type Insert Power large  
Connector face Type E Fire load 840 kJ

## Clampable conductors

Stripping length 12 mm

Type of connection PUSH IN

Conductor connection cross-section, extremely flexible with wire end ferrule min. 1.5 mm<sup>2</sup>  
max. 1.5 mm<sup>2</sup>Conductor connection cross-section, extremely flexible without wire end ferrule min. 1.5 mm<sup>2</sup>  
max. 2.5 mm<sup>2</sup>Conductor connection cross-section, rigid min. 1.5 mm<sup>2</sup>  
max. 2.5 mm<sup>2</sup>Conductor connection cross-section, flexible with wire end ferrule min. 1.5 mm<sup>2</sup>  
max. 1.5 mm<sup>2</sup>Conductor connection cross-section, flexible without wire end ferrule 1.5 ... 2.5 mm<sup>2</sup>Conductor connection cross-section, extremely flexible without wire end ferrule 1.5 ... 2.5 mm<sup>2</sup>Conductor connection cross-section, rigid 1.5 ... 2.5 mm<sup>2</sup>Conductor connection cross-section, flexible with wire end ferrule 1.5 ... 1.5 mm<sup>2</sup>Conductor connection cross-section, flexible without wire end ferrule min. 1.5 mm<sup>2</sup>  
max. 2.5 mm<sup>2</sup>Conductor connection cross-section, extremely flexible with wire end ferrule 1.5 ... 1.5 mm<sup>2</sup>

## Technical data

Rated voltage (AC) 250 V Housing main material Polycarbonate PC  
Nominal current 16 A

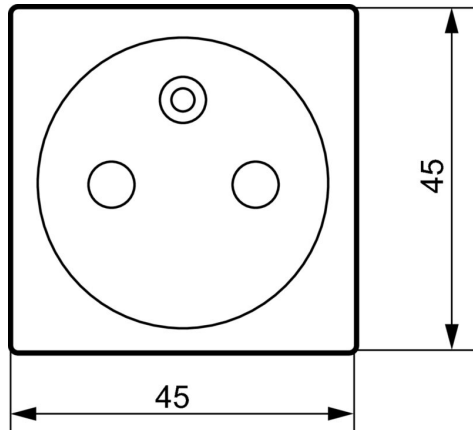
**Technical data**

**Classifications**

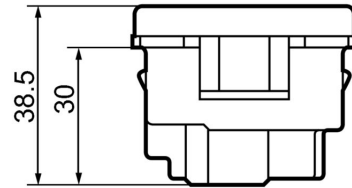
ETIM 8.0	EC001121	ETIM 9.0	EC001121
ETIM 10.0	EC001121	ECLASS 14.0	27-18-28-92
ECLASS 15.0	27-18-28-92		

**Drawings**

**Dimensioned drawing**



**Dimensioned drawing**



## IE-FCI-PWB-FR-OR

**Weidmüller Interface GmbH & Co. KG**  
Klingenbergstraße 26  
D-32758 Detmold  
Germany

[www.weidmueller.com](http://www.weidmueller.com)

## Accessories

### Rail adaptor for socket inserts



At Weidmüller you can get everything you need from one source - including accessories for Industrial Ethernet.

The benefits for you:

- tools
- testing instruments
- cable bushings
- cabinet connections
- markers
- dust protection
- power packs
- overvoltage protection

### General ordering data

Type	IE-DINRAIL-AD-PWB	Version	
Order No.	<a href="#">2534680000</a>		
GTIN (EAN)	4050118546354		
Qty.	1 ST		