

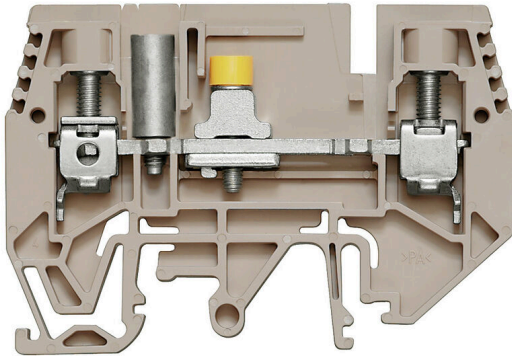
WTQ 6/1 EN STB**Weidmüller Interface GmbH & Co. KG**

Klingenbergstraße 26

D-32758 Detmold

Germany

www.weidmueller.com

Product image**Current and voltage transformer wiring**

Our test disconnect terminal blocks featuring spring and screw connection technology allow you to create all the important converter circuits for measuring current, voltage and power in a safe and sophisticated way.

General ordering data

| | |
|------------|---|
| Version | Measuring transformer disconnect terminal, Screw connection, 500, 41, 2 |
| Order No. | 1934800000 |
| Type | WTQ 6/1 EN STB |
| GTIN (EAN) | 4032248592159 |
| Qty. | 50 items |

WTQ 6/1 EN STB

Weidmüller Interface GmbH & Co. KG

Klingenbergstraße 26

D-32758 Detmold

Germany

www.weidmueller.com

Technical data

Approvals

Approvals



ROHS Conform

UL File Number Search [UL Website](#)

Certificate No. (UR) E60693

Dimensions and weights

| | | | |
|------------|---------|-----------------|-------------|
| Depth | 47.5 mm | Depth (inches) | 1.8701 inch |
| Height | 65 mm | Height (inches) | 2.5591 inch |
| Width | 7.9 mm | Width (inches) | 0.311 inch |
| Net weight | 24.16 g | | |

Temperatures

| | | | |
|----------------------------------|----------------|----------------------------------|---------------|
| Storage temperature | -25 °C...55 °C | Ambient temperature | -5 °C...40 °C |
| Continuous operating temp., min. | -50 °C | Continuous operating temp., max. | 120 °C |

Environmental Product Compliance

| | | | |
|--------------------------------------|--------------------------------------|--|--|
| RoHS Compliance Status | Compliant with exemption | | |
| RoHS Exemption (if applicable/known) | 6c | | |
| REACH SVHC | Lead 7439-92-1 | | |
| SCIP | 0eb7d846-d0a1-43e5-93a4-d7c6856c4cda | | |

Material data

| | | | |
|---------------------------|-------|--------|------------|
| Basic material | Wemid | Colour | dark beige |
| UL 94 flammability rating | V-0 | | |

System specifications

| | | | |
|-------------------------------------|--|-------------------------------|-----|
| Version | Screw connection, Spacer, for plug-in cross-connector, With sockets, One end without connector | End cover plate required | Yes |
| Number of potentials | 1 | Number of levels | 1 |
| Number of clamping points per level | 2 | Number of potentials per tier | 1 |
| Levels cross-connected internally | No | PE connection | No |
| Mounting rail | TS 35, TS 32 | N-function | No |
| PE function | No | PEN function | No |

Additional technical data

| | | | |
|--------------------------|--------|-----------------------------|---------|
| Open sides | closed | Number of similar terminals | 1 |
| Explosion-tested version | No | Type of mounting | Snap-on |

CSA rating data

| | | | |
|-------------------------------|--------|-----------------------|----------------|
| Wire cross section max. (CSA) | 8 AWG | Voltage size C (CSA) | 300 V |
| Current size C (CSA) | 45 A | Certificate No. (CSA) | 200039-1057876 |
| Voltage size B (CSA) | 300 V | Current size B (CSA) | 45 A |
| Wire cross section min. (CSA) | 20 AWG | | |

WTQ 6/1 EN STB

Weidmüller Interface GmbH & Co. KG

Klingenbergstraße 26

D-32758 Detmold

Germany

www.weidmueller.com

Technical data

Conductors for clamping (additional connection)

Connection type, additional connection Screw connection

Conductors for clamping (rated connection)

| | | | |
|---|---------------------|---|---------------------|
| Gauge to IEC 60947-1 | A5 | Wire connection cross section AWG, max. | AWG 8 |
| Connection direction | on side | Stripping length | 12 mm |
| Type of connection | Screw connection | Number of connections | 2 |
| Clamping range, max. | 10 mm ² | Clamping range, min. | 0.5 mm ² |
| Clamping screw | M 3.5 | Blade size | 0.8 x 4.0 mm |
| Wire connection cross section AWG, min. | AWG 20 | Wire connection cross-section, finely stranded with wire-end ferrules DIN 46228/4, max. | 6 mm ² |
| Wire connection cross-section, finely stranded with wire-end ferrules DIN 46228/4, min. | 0.5 mm ² | Wire connection cross-section, finely stranded with wire-end ferrules DIN 46228/1, max. | 6 mm ² |
| Wire connection cross-section, finely stranded with wire-end ferrules DIN 46228/1, min. | 0.5 mm ² | Wire connection cross section, finely stranded, max. | 10 mm ² |
| Wire connection cross section, finely stranded, min. | 0.5 mm ² | Connection cross-section, stranded, max. | 6 mm ² |
| Connection cross-section, stranded, min. | 0.5 mm ² | Torque level with DMS electric screwdriver | 3 |
| Wire connection cross-section, solid core, max. | 10 mm ² | Wire connection cross-section, solid core, min. | 0.5 mm ² |

Dimensions

TS 35 offset 34.5 mm

General

| | | | |
|---|--------------|---|--------|
| Wire connection cross section AWG, max. | AWG 8 | Wire connection cross section AWG, min. | AWG 20 |
| Mounting rail | TS 35, TS 32 | | |

Rating data

| | | | |
|---------------------------------|-------------------|--|---------|
| Rated cross-section | 6 mm ² | Rated voltage | 500 V |
| Rated DC voltage | 500 V | Nominal current | 41 A |
| Current at maximum wires | 57 A | Volume resistance according to IEC 60947-7-x | 0.78 mΩ |
| Rated impulse withstand voltage | 6 kV | Power loss in accordance with IEC 60947-7-x | 1.31 W |
| Pollution severity | 3 | | |

UL rating data

| | | | |
|---|--------|---|--------|
| Voltage size B (UR) | 300 V | Current size B (UR) | 45 A |
| Conductor size Factory wiring max. (UR) | 8 AWG | Current size C (UR) | 45 A |
| Voltage size C (UR) | 300 V | Conductor size Factory wiring min. (UR) | 20 AWG |
| Certificate No. (UR) | E60693 | Conductor size Field wiring min. (UR) | 20 AWG |
| Conductor size Field wiring max. (UR) | 8 AWG | | |

Technical data

Classifications

| | | | |
|-------------|-------------|-------------|-------------|
| ETIM 8.0 | EC000902 | ETIM 9.0 | EC000902 |
| ETIM 10.0 | EC000902 | ECLASS 14.0 | 27-25-01-09 |
| ECLASS 15.0 | 27-25-01-09 | | |

Drawings

