

SAIEND CAN-M12B 5P A-COD

Weidmüller Interface GmbH & Co. KG
Klingenbergstraße 26
D-32758 Detmold
Germany

www.weidmueller.com



Weidmüller offers a wide range of tools and accessories for sensor-actuator cabling.

General ordering data

Version	Protected component assemblies, SAI Active, Accessories, Sensor/Actuator plug-in connector
Order No.	2018050000
Type	SAIEND CAN-M12B 5P A-COD
GTIN (EAN)	4050118401448
Qty.	1 items

SAIEND CAN-M12B 5P A-COD

Weidmüller Interface GmbH & Co. KG
 Klingenbergstraße 26
 D-32758 Detmold
 Germany

www.weidmueller.com

Technical data

Approvals

Approvals



ROHS Conform

Dimensions and weights

Net weight 8.8 g

Temperatures

Storage temperature Operating temperature

Environmental Product Compliance

RoHS Compliance Status Compliant with exemption
 RoHS Exemption (if applicable/known) 6c
 REACH SVHC Lead 7439-92-1
 SCIP 1c533b66-fcff-4da5-b89f-fd55fbf5cb55

Technical specifications for cable

Number of poles 5

General technical data

Coding	A-coded	Connection thread	M12
Version	Socket connector, straight	Nominal voltage	60 V

Electrical properties

Nominal voltage 60 V

Classifications

ETIM 8.0	EC002925	ETIM 9.0	EC002925
ETIM 10.0	EC002925	ECLASS 14.0	27-44-01-06
ECLASS 15.0	27-44-01-06		

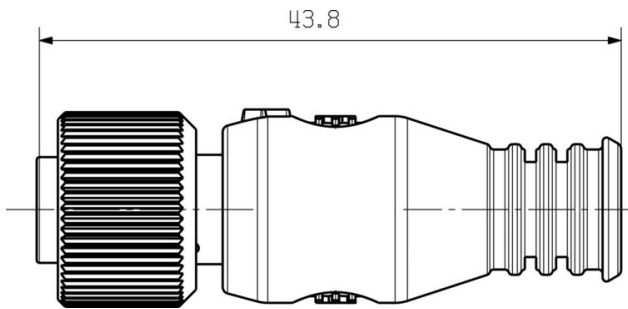
SAIEND CAN-M12B 5P A-COD

Weidmüller Interface GmbH & Co. KG
Klingenbergstraße 26
D-32758 Detmold
Germany

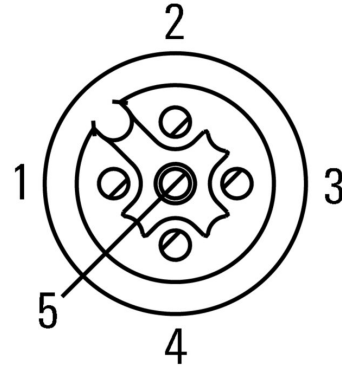
www.weidmueller.com

Drawings

Dimensioned drawing



Pole scheme



Wiring diagram

