

## KTB MH 221513 S2N4

**Weidmüller Interface GmbH & Co. KG**  
 Klingenbergstraße 26  
 D-32758 Detmold  
 Germany

[www.weidmueller.com](http://www.weidmueller.com)

### Similar to illustration



Abbildung ähnlich

The Klippon® TB enclosure range provides excellent performance characteristics, even under the most difficult environmental conditions. In addition, it complies with the stricter requirements of potentially explosive atmospheres found specifically in the process or power generation industries. The Klippon® TB MH enclosure range offers further improvements to a product line that is already successfully leading the market.

The Klippon® TB MH enclosure range has the following advantages:

- Available in 22 sizes and 3 standard depths
- Equipped with up to 4 gland plates
- The gasket is protected against compression
- Completely removable padlock tab
- Cover lock outside the sealed zone
- Improved temperature performance
- IP66/IP67 protection
- Completely removable lid – without a tool
- Earthing stud in the cover and base of the enclosure
- Welded mounting feet
- International approvals

### General ordering data

|            |   |
|------------|---|
| Version    | Klippon TB MH (Terminal Box - Multi Hinge), Empty enclosure, stainless steel enclosure, Height: 229 mm, Width: 152 mm, Depth: 133 mm, Gland plates: Bottom, top, left, right, Basic material: Stainless steel 1.4301 (304), untreated, silver |
| Order No.  | <a href="#">1194590003</a>  |
| Type       | KTB MH 221513 S2N4  |
| GTIN (EAN) | 4050118108064   |
| Qty.       | 1 items   |

**KTB MH 221513 S2N4**

**Weidmüller Interface GmbH & Co. KG**  
 Klingenbergstraße 26  
 D-32758 Detmold  
 Germany

www.weidmueller.com

**Technical data**

**Approvals**

Approvals



|                         |                            |
|-------------------------|----------------------------|
| ROHS                    | Conform                    |
| UL File Number Search   | <a href="#">UL Website</a> |
| Certificate no. (cULus) | E243298                    |

**Dimensions and weights**

|                             |           |                            |             |
|-----------------------------|-----------|----------------------------|-------------|
| Depth                       | 133 mm    | Depth (inches)             | 5.2362 inch |
| Height                      | 229 mm    | Height (inches)            | 9.0157 inch |
| Width                       | 152 mm    | Width (inches)             | 5.9842 inch |
| Mounting dimension - height | 152 mm    | Mounting dimension - width | 208 mm      |
| Net weight                  | 8535.79 g |                            |             |

**Temperatures**

|                       |                 |                                  |   |
|-----------------------|-----------------|----------------------------------|---|
| Operating temperature | -60 °C...135 °C | Note: room temperature (service) | Limited to IP66 protection when used in temperatures greater than 105 °C. |
|-----------------------|-----------------|----------------------------------|---|

**Environmental Product Compliance**

|                                      |                                      |
|--------------------------------------|--------------------------------------|
| RoHS Compliance Status               | Compliant with exemption             |
| RoHS Exemption (if applicable/known) | 6c                                   |
| REACH SVHC                           | Lead 7439-92-1                       |
| SCIP                                 | 8d5fcdfe-c58e-44e1-a6b4-74d2bbccc9dd |

**Cable glands, left**

|     |   |     |   |
|-----|---|-----|---|
| M63 | 0 | M75 | 0 |
| M12 | 8 | M50 | 0 |
| M16 | 6 | M32 | 2 |
| M25 | 2 | M20 | 3 |
| M40 | 2 |     |   |

**Cable glands, right**

|     |   |     |   |
|-----|---|-----|---|
| M25 | 2 | M63 | 0 |
| M75 | 0 | M16 | 6 |
| M40 | 2 | M50 | 0 |
| M32 | 2 | M20 | 3 |
| M12 | 8 |     |   |

**KTB MH 221513 S2N4**
**Weidmüller Interface GmbH & Co. KG**

 Klingenbergstraße 26  
 D-32758 Detmold  
 Germany

[www.weidmueller.com](http://www.weidmueller.com)
**Technical data**
**Cable glands, top/bottom**

|     |   |     |   |
|-----|---|-----|---|
| M20 | 2 | M12 | 6 |
| M63 | 0 | M40 | 1 |
| M32 | 1 | M25 | 2 |
| M50 | 0 | M75 | 0 |
| M16 | 5 |     |   |

**Certificate numbers enclosure**

|   |                           |   |  |
|---|---------------------------|---|--|
| Certificate No. UL Haz.Loc.               | E223792                   | Declaration of Conformity No. (DoC LVD) | DE PS261X 160412 001ISS03  |
| Certificate No. UL Ord.Loc.               | E243298                   | Certificate No. UL 508A                 | E223801  |
| Attestation of Conformity No. (AoC)       | DE PS261X 160309 001ISS06 | Certificate No. UL Terminal Box         | E223792  |
| Certificate No. Electronic Box (NEPSI)    | 2020322303003289          | Certificate no. empty enclosure (ECAS)  | 21-09-25241/<br>E21-09-053807  |
| Certificate no. empty enclosure (INMETRO) | LMP 21.0016U              | Certificate No. (DNV)                   | TAE000013S   |
| Certificate No. (CCOE)                    | P461058_1                 | Certificate no. Terminal Box (INMETRO)  | LMP 21.0017  |
| Certificate no. (INMETRO)                 | IEX13.0006U               | Certificate No. (IECEX)                 | IECEXPTB11.0071  |
| Certificate No. (ATEX)                    | PTB11ATEX2019             | Approval conditions                     | ATEX, CCoE, DNV, IECEX, INMETRO, KC, NEPSI, CCC, UL AEx Class Div., UL AEx Class Zone, cULus |
| Certificate no. (cULus)                   | E243298                   |   |  |

**General information**

|                                 |   |                              |   |
|---------------------------------|---|------------------------------|---|
| Material thickness of cover     | 1.5 mm  | Material thickness of flange | 3 mm  |
| Material thickness of enclosure | 1.5 mm  | Operating temperature, max.  | 135 °C  |
| Operating temperature, min.     | -60 °C  | Lid attachment               | 4 hinges and M6 hex-head slotted screws SW10  |
| Standards                       | DIN EN 62208 - Empty enclosure standard, DIN EN 61373 Class 1B**, DIN EN 15085-2, EN 60079-0, EN 60079-7, EN 60079-31, IEC 60079-0, IEC 60079-7, IEC 60079-31 | Surface finish               | untreated   |
| Impact resistance               | 7 J ATEX version, 10 J version standard   | AF size                      | 10 mm   |
| Protection degree               | IP66, IP67  | Basic material               | Stainless steel 1.4301 (304)  |
| Seal material                   | Silicone  | Torque for lid screws        | 2.5 Nm  |
| Integral fixing                 | 4, 6 or 9 stud bolts M6 inner (female) thread   | Enclosure attachment         | 4 welded-on mounting feet with 11 mm holes (2 slotted feet and 2 cross-shaped feet) |
| Note: protection class          | If used in temperature ranges above 105 °C, IP protection is limited to IP 66.  | Flange plate mounting        | M6 hexagonal head screws 10 SW  |
| Protection class (UL)           | Type 3, Type 4X, Type 12  | Number of lid screws         | 4   |
| Gland plates                    | Bottom, top, left, right  | Dimension of box             | 350x390x220   |
| Access opening: width           | 93 mm   | Opening angle lid            | 130.00 °  |
| Overall dimensions              | 251 x 233 x 148   | Flange plate                 | Yes   |
| Max. payload                    | 14 kg   | Lid                          | Yes   |

**KTB MH 221513 S2N4**

**Weidmüller Interface GmbH & Co. KG**  
 Klingenbergstraße 26  
 D-32758 Detmold  
 Germany

www.weidmueller.com

**Technical data**

|                        |   |                   |                  |
|------------------------|---|-------------------|------------------|
| Access opening: height | 176 mm  | Position PE bolts | Enclosure side C |
| Areas of use           | Explosive risk zone,<br>Process industry, Oil and<br>gas industry, Chemical<br>industry, Offshore,<br>Onshore |                   |                  |

**Housing earth**

|                            |   |  |  |
|----------------------------|---|--|--|
| Earth, enclosure, internal | Welded-on M6 stainless-<br>steel earth stud in<br>enclosure body and lid. |  |  |
|----------------------------|---|--|--|

**horizontal assembly**

|                             |      |                 |     |
|-----------------------------|------|-----------------|-----|
| WDU 10 / ZDU 10             | 1x4  | WDU 16 / ZDU 16 | 1x3 |
| WDU 2,5 / ZDU 2,5 / IDU 2,5 | 1x10 | WDU 35 / ZDU 35 | 1x2 |
| WDU 4 / ZDU 4               | 1x8  | WDU 6 / ZDU 6   | 1x6 |

**vertical assembly**

|                             |      |                 |      |
|-----------------------------|------|-----------------|------|
| WDU 10 / ZDU 10             | 1x13 | WDU 16 / ZDU 16 | 1x10 |
| WDU 2,5 / ZDU 2,5 / IDU 2,5 | 1x26 | WDU 35 / ZDU 35 | 1x7  |
| WDU 4 / ZDU 4               | 1x21 | WDU 6 / ZDU 6   | 1x16 |

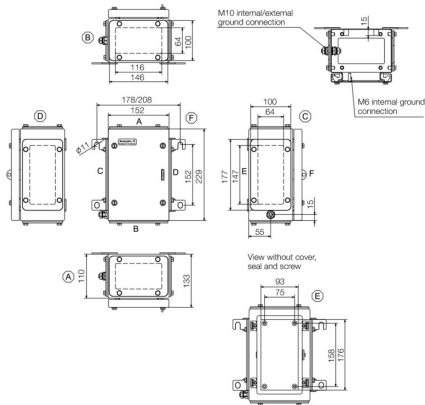
**Important note**

|                     |                                   |  |  |
|---------------------|-----------------------------------|--|--|
| Product information | Minimum order quantity (5 pieces) |  |  |
|---------------------|-----------------------------------|--|--|

**Classifications**

|             |             |             |             |
|-------------|-------------|-------------|-------------|
| ETIM 8.0    | EC002503    | ETIM 9.0    | EC002503    |
| ETIM 10.0   | EC002503    | ECLASS 14.0 | 27-18-05-02 |
| ECLASS 15.0 | 27-18-05-02 |             |             |

Dimensioned drawing



**KTB MH 221513 S2N4**

**Weidmüller Interface GmbH & Co. KG**  
 Klingenbergstraße 26  
 D-32758 Detmold  
 Germany

www.weidmueller.com

**Accessories**

**229 x 152mm**



Integrate, expand and customise: The ideal expansion for every application

The consistent structure of accessories for the new Klippon® TB enclosure range means that you can easily adapt the enclosure to the specific requirements of each application.

Mounting plates

Mounting plates, with and without hole patterns, for longitudinal and transverse mounting of DIN mounting rails or components directly onto the mounting plate.

**General ordering data**

|            |                            |   |
|------------|----------------------------|---|
| Type       | KTB MOPL 2215 MSZN         | Version   |
| Order No.  | <a href="#">1193930000</a> | Klippon TB (Terminal Box), Mounting plate, Height: 174 mm, Width:                     |
| GTIN (EAN) | 4050118028546              | 91 mm, Depth: 1.5 mm, Basic material: Sheet steel, galvanized, silver                 |
| Qty.       | 1 ST                       |   |
| Type       | KTB MOPL 2215 S2N          | Version   |
| Order No.  | <a href="#">1193810000</a> | Klippon TB (Terminal Box), Mounting plate, Height: 174 mm, Width:                     |
| GTIN (EAN) | 4050118028409              | 91 mm, Depth: 1.5 mm, Basic material: Stainless steel 1.4301 (304), untreated, silver |
| Qty.       | 1 ST                       |   |
| Type       | KTB MOPL 2215 MSZN H       | Version   |
| Order No.  | <a href="#">2022050000</a> | Klippon TB (Terminal Box), Mounting plate, prepunched, Height: 174                    |
| GTIN (EAN) | 4050118403442              | mm, Width: 91 mm, Depth: 1.5 mm, Basic material: Sheet steel, galvanized, silver      |
| Qty.       | 1 ST                       |   |
| Type       | KTB MOPL 2215 S2N H        | Version   |
| Order No.  | <a href="#">1257650000</a> | Klippon TB (Terminal Box), Mounting plate, prepunched, Height: 174                    |
| GTIN (EAN) | 4050118049305              | mm, Width: 91 mm, Depth: 1.5 mm, Basic material: Stainless steel                      |
| Qty.       | 1 ST                       | 1.4301 (304), untreated, silver   |

**Gland plates without earthing studs**



Integrate, expand and customise: The ideal expansion for every application

The consistent structure of accessories for the new Klippon® TB enclosure range means that you can easily adapt the enclosure to the specific requirements of each application.

Flange plates

Flange plates in two thicknesses, for easy replacement of pre-assembl

**General ordering data**

|            |                            |   |
|------------|----------------------------|---|
| Type       | KTB GP XX1513V AB S4 3MM   | Version   |
| Order No.  | <a href="#">1280890000</a> | Klippon TB (Terminal Box), flange plate, straight, Height: 146 mm,  |
| GTIN (EAN) | 4050118071627              | Width: 100 mm, Depth: 3 mm, Gland plates: top, Bottom, Basic material: Stainless steel 1.4404, Stainless steel 1.4404 (316L), electropolished, silver     |
| Qty.       | 1 ST                       |   |
| Type       | KTB GP 22XX13V CD S4 3MM   | Version   |
| Order No.  | <a href="#">1280900000</a> | Klippon TB (Terminal Box), flange plate, straight, Height: 177  |
| GTIN (EAN) | 4050118071757              | mm, Width: 100 mm, Depth: 3 mm, Gland plates: left, right, Basic material: Stainless steel 1.4404, Stainless steel 1.4404 (316L), electropolished, silver |
| Qty.       | 1 ST                       |   |

**KTB MH 221513 S2N4**

**Weidmüller Interface GmbH & Co. KG**  
 Klingenbergstraße 26  
 D-32758 Detmold  
 Germany

www.weidmueller.com

**Accessories**

**Gland plates made out of stainless steel - 6 mm**



Integrate, expand and customise: The ideal expansion for every application

The consistent structure of accessories for the new Klippon® TB enclosure range means that you can easily adapt the enclosure to the specific requirements of each application.

Flange plates

Flange plates in two thicknesses, for easy replacement of pre-assembl

**General ordering data**

|            |                            |  |
|------------|----------------------------|--|
| Type       | KTB GP XX1513V AB S4 6MM   | Version  |
| Order No.  | <a href="#">1256270000</a> | Klippon TB (Terminal Box), flange plate, straight, Height: 146 mm,                       |
| GTIN (EAN) | 4050118092592              | Width: 100 mm, Depth: 6 mm, Gland plates: top, Bottom, Basic                             |
| Qty.       | 1 ST                       | material: Stainless steel 1.4404, electropolished, silver                                |
| Type       | KTB GP 22XX13V CD S4 6MM   | Version  |
| Order No.  | <a href="#">1256280000</a> | Klippon TB (Terminal Box), flange plate, straight, Height: 177                           |
| GTIN (EAN) | 4050118093704              | mm, Width: 100 mm, Depth: 6 mm, Gland plates: left, right, Basic                         |
| Qty.       | 1 ST                       | material: Stainless steel 1.4404, Stainless steel 1.4404 (316L), electropolished, silver |

**Gland plates with earthing studs**



Integrate, expand and customise: The ideal expansion for every application

The consistent structure of accessories for the new Klippon® TB enclosure range means that you can easily adapt the enclosure to the specific requirements of each application.

Flange plates

Flange plates in two thicknesses, for easy replacement of pre-assembl

**General ordering data**

|            |                            |  |
|------------|----------------------------|--|
| Type       | KTB GP XX1513V AB S4 PE    | Version  |
| Order No.  | <a href="#">2022770000</a> | Klippon TB (Terminal Box), flange plate, straight, Height: 146 mm,     |
| GTIN (EAN) | 4050118403916              | Width: 100 mm, Depth: 3 mm, Gland plates: top, Bottom, Basic           |
| Qty.       | 1 ST                       | material: Stainless steel 1.4404, electropolished, silver              |
| Type       | KTB GP 22XX13V CD S4 PE    | Version  |
| Order No.  | <a href="#">2022900000</a> | Klippon TB (Terminal Box), flange plate, straight, Height: 177 mm,     |
| GTIN (EAN) | 4050118403510              | Width: 100 mm, Depth: 3 mm, Gland plates: left, right, Basic material: |
| Qty.       | 1 ST                       | Stainless steel 1.4404, electropolished, silver                        |

**KTB MH 221513 S2N4**

**Weidmüller Interface GmbH & Co. KG**  
 Klingenbergstraße 26  
 D-32758 Detmold  
 Germany

www.weidmueller.com

**Accessories**

**Stainless steel 1.4301**



**Integrate, expand and customise:** The ideal expansion for every application

The consistent structure of accessories for the new Klippon® TB enclosure range means that you can easily adapt the enclosure to the specific requirements of each application.

**Rain Covers**

The rain cover provides an ideal, additional level of protection for the enclosure if it is installed in unusual climatic zones with, for instance, very heavy rainfall or extreme levels of direct sunlight.

**General ordering data**

|            |                            |  |  |
|------------|----------------------------|--|--|
| Type       | KTB RNHD 221513 R          | Version  |  |
| Order No.  | <a href="#">1281360000</a> | Klippon TB (Terminal Box), Rain hood, Height: 50.9 mm, Width: 157 mm, Depth: 142.8 mm, Basic material: Stainless steel 1.4301, Mirror polished, silver |  |
| GTIN (EAN) | 4050118072075              |  |  |
| Qty.       | 1 ST                       |  |  |

**Type label holder**



**Integrate, expand and customise:** The ideal expansion for every application

The consistent structure of accessories for the new Klippon® TB enclosure range means that you can easily adapt the enclosure to the specific requirements of each application.

**Nameplate holders**

There are a variety of designed label holders available for prominent display as required and for additional nameplates as needed.

**General ordering data**

|            |                            |  |  |
|------------|----------------------------|--|--|
| Type       | TPSDHA KTB 70X70M3 S2 R    | Version  |  |
| Order No.  | <a href="#">1279320000</a> | Klippon TB (Terminal Box), Ratings plate holder, Riveted, Height: 70 mm, Width: 70 mm, Depth: 20 mm, Basic material: Stainless steel 1.4301, Stainless steel 1.4301 (304), Mirror polished, silver |  |
| GTIN (EAN) | 4050118070101              |  |  |
| Qty.       | 1 ST                       |  |  |

**KTB MH 221513 S2N4**

**Weidmüller Interface GmbH & Co. KG**  
 Klingenbergstraße 26  
 D-32758 Detmold  
 Germany

www.weidmueller.com

**Accessories**

**Installation material**



Integrate, expand and customise - the perfect supplement to every application

The fully structured range of system accessories for the new Klippon® TB enclosure series allows you to easily adapt the enclosures to meet the specific requirements of every application.

Mounting hardware kits

Mounting hardware kits are available for quick and easy installation of type label holders, document holders and rain hoods.

The label fastening set – SD is required to install a plastic (Trafolyte) ID or type label. With the aid of this set can you mount the ID or type label directly on the enclosure cover. The label fastening set has been specially developed for this purpose. Only by using this fastening set can you ensure that there will be no leaks into the enclosure or damage to the label.

The universal fastening set – TPSD has been developed to enable secure and quick installation of type label holders, rain covers or document holders, for example. By using this fastening set, the risk of leaks can be minimised, if not avoided.

**General ordering data**

|            |                            |  |
|------------|----------------------------|--|
| Type       | SD FIXING SET              | Version  |
| Order No.  | <a href="#">1285200000</a> | Klippon TB (Terminal Box), Identification plate fixing set, Height: 12 |
| GTIN (EAN) | 4050118075472              | mm, Width: 12 mm, Depth: 16.4 mm, Basic material: Stainless steel,     |
| Qty.       | 1 ST                       | rust-proof, untreated, silver  |
| Type       | TPSD FIXING SET KTB        | Version  |
| Order No.  | <a href="#">1252190000</a> | Klippon TB (Terminal Box), Type plate fixings set, Basic material:     |
| GTIN (EAN) | 4050118043969              | Stainless steel, rust-proof, untreated, silver                         |
| Qty.       | 20 ST                      |  |

**Earthing stud**



Integrate, expand and customise: The ideal expansion for every application

The consistent structure of accessories for the new Klippon® TB enclosure range means that you can easily adapt the enclosure to the specific requirements of each application.

Earthing bolt

Earthing bolts to exchange as a complete component in two versions – brass and stainless steel.

**General ordering data**

|            |                            |  |
|------------|----------------------------|--|
| Type       | PEBZ M10 KTB BR SET        | Version  |
| Order No.  | <a href="#">1192680000</a> | Klippon TB (Terminal Box), Earthing stud, Miscellaneous, Height: |
| GTIN (EAN) | 4032248974641              | 21 mm, Width: 21 mm, Depth: 48.7 mm, Basic material: Brass,      |
| Qty.       | 1 ST                       | untreated, silver  |

## KTB MH 221513 S2N4

**Weidmüller Interface GmbH & Co. KG**  
 Klingenbergstraße 26  
 D-32758 Detmold  
 Germany

www.weidmueller.com

## Accessories

|            |                            |   |
|------------|----------------------------|---|
| Type       | PEBZ M10 KTB S4 SET        | Version   |
| Order No.  | <a href="#">1192690000</a> | Klippon TB (Terminal Box), Earthing stud, Miscellaneous, Height: 21 |
| GTIN (EAN) | 4032248974658              | mm, Width: 21 mm, Depth: 48.7 mm, Basic material: Stainless steel   |
| Qty.       | 1 ST                       | 1.4404 (316L), untreated, silver                                    |

## Grounding strap

The fully structured range of system accessories for the new Klippon® TB enclosure series allows you to easily adapt the enclosures to meet the specific requirements of every application. The following options are available:

- Closure Elements
- Document holders
- Earthing stud
- Gland plates
- Installation material
- Mounting plates
- Rain hoods
- Spacer
- Terminal rails
- Type label holder

## General ordering data

|            |                            |  |
|------------|----------------------------|--|
| Type       | PECD WIRE 6/200/D6 SET     | Version  |
| Order No.  | <a href="#">2475490000</a> | Klippon TB (Terminal Box), Grounding strap, Ssrewed, Basic material: |
| GTIN (EAN) | 4050118487206              | Steel, Green/yellow  |
| Qty.       | 1 ST                       |  |

## Stainless steel 1.4404 (316L)



Integrate, expand and customise: The ideal expansion for every application

The consistent structure of accessories for the new Klippon® TB enclosure range means that you can easily adapt the enclosure to the specific requirements of each application.

### Rain Covers

The rain cover provides an ideal, additional level of protection for the enclosure if it is installed in unusual climatic zones with, for instance, very heavy rainfall or extreme levels of direct sunlight.

## General ordering data

|            |                            |   |
|------------|----------------------------|---|
| Type       | KTB RNHD XX15 13V S4E R    | Version   |
| Order No.  | <a href="#">1314090000</a> | Klippon TB (Terminal Box), Rain hood, Height: 50.9 mm, Width: 157   |
| GTIN (EAN) | 4050118117332              | mm, Depth: 142.8 mm, Basic material: Stainless steel 1.4404 (316L), |
| Qty.       | 1 ST                       | electropolished, silver   |

## KTB MH 221513 S2N4

**Weidmüller Interface GmbH & Co. KG**  
 Klingenbergstraße 26  
 D-32758 Detmold  
 Germany

www.weidmueller.com

## Accessories

### Depth 7.5 mm



Integrate, expand and customise: The ideal expansion for every application

The consistent structure of accessories for the new Klippon® TB enclosure range means that you can easily adapt the enclosure to the specific requirements of each application.

Terminal rails

The mounting rails are available in two sizes for mounting DIN rails (e.g. electronics, terminals) components in the enclosures.

### General ordering data

|            |                            |   |  |
|------------|----------------------------|---|--|
| Type       | TS35X7.5 ST KTB2215 HOR    | Version   |  |
| Order No.  | <a href="#">8000006720</a> | Rail, TS 35, TS 35 x 7.5, Width: 91 mm, without slot, Steel,  |  |
| GTIN (EAN) | 4050118652888              | galvanized, chromium-plated                                   |  |
| Qty.       | 20 ST                      |   |  |
| Type       | TS35X7.5 ST KTB2215 VER    | Version   |  |
| Order No.  | <a href="#">8000006708</a> | Rail, TS 35, TS 35 x 7.5, Width: 174 mm, without slot, Steel, |  |
| GTIN (EAN) | 4050118652819              | galvanized, chromium-plated                                   |  |
| Qty.       | 20 ST                      |   |  |

### Mounting plates



Mounting plates, with and without hole patterns, for longitudinal and transverse mounting of DIN mounting rails or components directly onto the mounting plate.

### General ordering data

|            |                            |   |  |
|------------|----------------------------|---|--|
| Type       | GFSC M5X10 TX20 SET        | Version   |  |
| Order No.  | <a href="#">1274150000</a> | Klippon EB (Essential Box), Mounting screw, Height: 13.3 mm, Width: |  |
| GTIN (EAN) | 4050118063820              | 8.5 mm, Depth: 8.5 mm, Basic material: Steel, galvanized, galvanic  |  |
| Qty.       | 1 ST                       | zinc plated and passivated, silver                                  |  |

### Depth 15 mm



Integrate, expand and customise: The ideal expansion for every application

The consistent structure of accessories for the new Klippon® TB enclosure range means that you can easily adapt the enclosure to the specific requirements of each application.

Terminal rails

The mounting rails are available in two sizes for mounting DIN rails (e.g. electronics, terminals) components in the enclosures.

## KTB MH 221513 S2N4

**Weidmüller Interface GmbH & Co. KG**

Klingenbergstraße 26  
D-32758 Detmold  
Germany

[www.weidmueller.com](http://www.weidmueller.com)

## Accessories

### General ordering data

|            |                            |   |  |
|------------|----------------------------|---|--|
| Type       | TS35X15 ST KTB2215 HOR     | Version   |  |
| Order No.  | <a href="#">8000073108</a> | Rail, TS 35, TS 35 x 15, Width: 91 mm, without slot, Steel, galvanic  |  |
| GTIN (EAN) | 4064675340584              | zinc plated and passivated  |  |
| Qty.       | 20 ST                      |   |  |
| Type       | TS35X15 ST KTB2215 VER     | Version   |  |
| Order No.  | <a href="#">8000073109</a> | Rail, TS 35, TS 35 x 15, Width: 174 mm, without slot, Steel, galvanic |  |
| GTIN (EAN) | 4064675340591              | zinc plated and passivated  |  |
| Qty.       | 20 ST                      |   |  |

### Installation material



Integrate, expand and customise - the perfect supplement to every application

The fully structured range of system accessories for the new Klippon® TB enclosure series allows you to easily adapt the enclosures to meet the specific requirements of every application.

Mounting hardware kits

Mounting hardware kits are available for quick and easy installation of type label holders, document holders and rain hoods.

The label fastening set – SD is required to install a plastic (Trafolyte) ID or type label. With the aid of this set can you mount the ID or type label directly on the enclosure cover. The label fastening set has been specially developed for this purpose. Only by using this fastening set can you ensure that there will be no leaks into the enclosure or damage to the label.

The universal fastening set – TPSD has been developed to enable secure and quick installation of type label holders, rain covers or document holders, for example. By using this fastening set, the risk of leaks can be minimised, if not avoided.

### General ordering data

|            |                            |  |  |
|------------|----------------------------|--|--|
| Type       | FKSC M6X8 D9/SW3           | Version  |  |
| Order No.  | <a href="#">0642600000</a> | Klippon TB (Terminal Box), Mounting screw, Basic material: Steel |  |
| GTIN (EAN) | 4008190058258              |  |  |
| Qty.       | 50 ST                      |  |  |