

## EPAK-VM-CO-H

Weidmüller Interface GmbH &amp; Co. KG

Klingenbergstraße 26

D-32758 Detmold

Germany

www.weidmueller.com



The analogue converters of the EPAK series are characterised by their compact design.

The wide range of functions available with this series of analogue converters make them suitable for applications which do not require international approvals.

Properties:

- Safe isolation, conversion and monitoring of your analogue signals
- Configuration of the input and output parameters directly on the device via DIP switches
- No international approvals
- High interference resistance

### General ordering data

Version	Signal converter / insulator, Input : AC/DC voltage, Output : 4-20 mA, Supply voltage: 18...30 V DC
Order No.	<a href="#">7760054299</a>
Type	EPAK-VM-CO-H
GTIN (EAN)	6944 169742378
Qty.	1 items

## EPAK-VM-CO-H

Weidmüller Interface GmbH & Co. KG  
Klingenbergstraße 26  
D-32758 Detmold  
Germany

www.weidmueller.com

## Technical data

## Approvals

Approvals



ROHS Conform

## Dimensions and weights

Depth	89 mm	Depth (inches)	3.5039 inch
Height	100 mm	Height (inches)	3.937 inch
Width	17.5 mm	Width (inches)	0.689 inch
Length	100 mm	Length (inches)	3.937 inch
Net weight	80 g		

## Temperatures

Storage temperature	-40 °C...85 °C	Operating temperature	-20 °C...60 °C
Humidity	5...85 % rel. humidity, no condensation		

## Probability of failure

SIL in compliance with IEC 61508 None

## Environmental Product Compliance

RoHS Compliance Status	Compliant
REACH SVHC	Lead 7439-92-1
SCIP	6a722fc5-2d22-41b4-9544-5b95e45a4b77

## Input

Input voltage	UN1: 0...300 V AC, UN2: 0...125 V AC, UN3: 0...300 V DC, UN4: 0...30 V DC
---------------	---

## Output

Number of outputs	1	Load impedance current	≤ 500 Ω
Output current	4...20 mA		

## Output (digital)

Rated switching current	0.1 A	Number of digital outputs	0
Max. switching voltage, AC	0 V	Max. switching voltage, DC	0 V

## Output (analogue)

Number analogue outputs	1
-------------------------	---

## General data

Accuracy	0.5 % FSR	Protection degree	IP20
Supply voltage	18...30 V DC	Step response time	<300 ms

## EPAK-VM-CO-H

**Weidmüller Interface GmbH & Co. KG**  
 Klingenbergstraße 26  
 D-32758 Detmold  
 Germany

www.weidmueller.com

## Technical data

Power consumption	2.5 W @ 24 V DC	Temperature coefficient	≤ 250 ppm/K of final value
Nominal power consumption	1.7 VA	Configuration	DIP switch

### Insulation coordination

Impulse withstand voltage	4 kV (1.2 / 50 µs) input - output/ supply, 800 V (1.2 / 50 µs) output - supply	EMC standards	IEC 61000-6 /-2, IEC 61000-6-4
Test voltage	0.3 kV	Surge voltage category	II
Pollution severity	2	Galvanic isolation	between input/ output/ supply
Insulation voltage input or output/supply	2.2 kVAC, 1 min, 50 Hz	Insulation voltage	500 VAC (1.2 / 50 µs) output - supply

### Connection data

Type of connection	Screw connection	Tightening torque, min.	0.4 Nm
Tightening torque, max.	0.6 Nm	Clamping range, rated connection	2 mm <sup>2</sup>
Clamping range, min.	0.5 mm <sup>2</sup>	Clamping range, max.	2 mm <sup>2</sup>
Wire connection cross section AWG, min.	AWG 30	Wire connection cross section AWG, max.	AWG 14

### Classifications

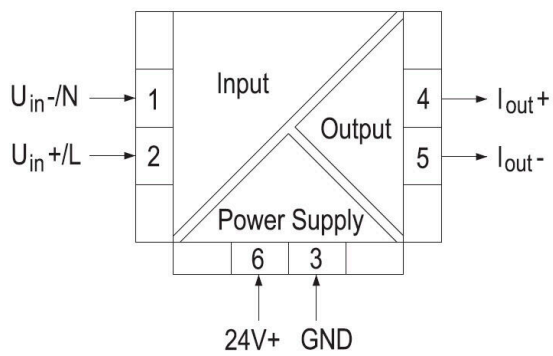
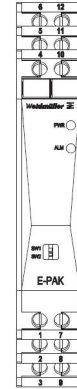
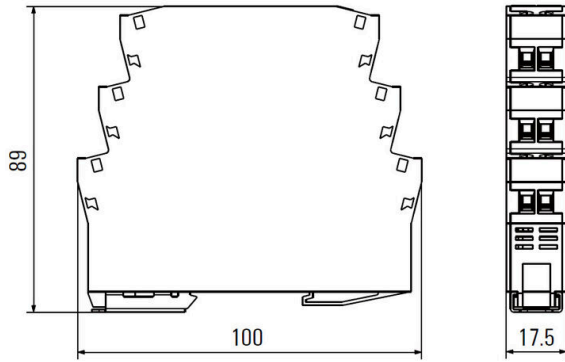
ETIM 8.0	EC002653	ETIM 9.0	EC002653
ETIM 10.0	EC002653	ECLASS 14.0	27-21-01-20
ECLASS 15.0	27-21-01-20		

**EPAK-VM-CO-H**

**Weidmüller Interface GmbH & Co. KG**  
 Klingenbergstraße 26  
 D-32758 Detmold  
 Germany

**Drawings**

www.weidmueller.com



## Blank



The Dekafix (DEK) marker is the universal marker for all conductor and plug-in connectors as well as for electronic sub-assemblies. The system is ideal for short number sequences and covers a wide range of ready-printed markers.

Strips for fast installation in only one work step. The printing is easy to read, rich in contrast and available in various widths.

- Large range of ready-to-use markers
  - Strips for fast installation
  - Terminal markers, suitable for all Weidmüller cable connectors
  - Available as blank MultiCard or with standard printing
- For custom printing: Please send us a file of our labeling software M-Print PRO or M-Print PRO Online (without installation) for your labeling specifications.

## General ordering data

Type	DEK 5/7.5 MC NE WS	Version	
Order No.	<a href="#">1720620000</a>		Dekafix, Terminal marker, 5 x 7.5 mm, Pitch in mm (P): 7.50
GTIN (EAN)	4008190362300		Weidmueller, white
Qty.	320 ST		