

SAI-ADAPT-M8/M8 4/3P

Weidmüller Interface GmbH & Co. KG
Klingenbergstraße 26
D-32758 Detmold
Germany

www.weidmueller.com



M8/M12 and M12/M8 adapters serve for quick implementation of the plug size.

General ordering data

Version	Y connector, M8 / M8
Order No.	1990570000
Type	SAI-ADAPT-M8/M8 4/3P
GTIN (EAN)	4050118376609
Qty.	1 items

SAI-ADAPT-M8/M8 4/3P

Weidmüller Interface GmbH & Co. KG
 Klingenbergstraße 26
 D-32758 Detmold
 Germany

www.weidmueller.com

Technical data

Approvals

Approvals



ROHS Conform

Dimensions and weights

Net weight 10 g

Environmental Product Compliance

RoHS Compliance Status	Compliant with exemption
RoHS Exemption (if applicable/known)	6c
REACH SVHC	Lead 7439-92-1
SCIP	1c533b66-fcff-4da5-b89f-fd55fbf5cb55

Connection data

Single outlet 1 - plug-in connector	M8 pin	Single outlet 2 - plug-in connector	M8 socket
Tightening torque	M8: 0.5 Nm		

Technical data customisable plug-in connectors

Number of poles	4	Coding	M8 = none
Nominal voltage	24 V	Nominal current	4 A
Protection degree	IP67	Pollution severity	3
Shield connection	No	Threaded ring material	Diecast zinc, nickel-plated
Temperature range of housing	-25...+85 °C		

Standards

Connector standard IEC 61076-2-104

General data

Number of poles	4	Coding	M8 = none
Connection thread	M8 / M8	Nominal voltage	24 V
Nominal current	4 A	Protection degree	IP67
Pollution severity	3	Shield connection	No
Temperature range of housing	-25...+85 °C	Conductor O.D.	-

Classifications

ETIM 8.0	EC002925	ETIM 9.0	EC002925
ETIM 10.0	EC002925	ECLASS 14.0	27-44-01-06
ECLASS 15.0	27-44-01-06		

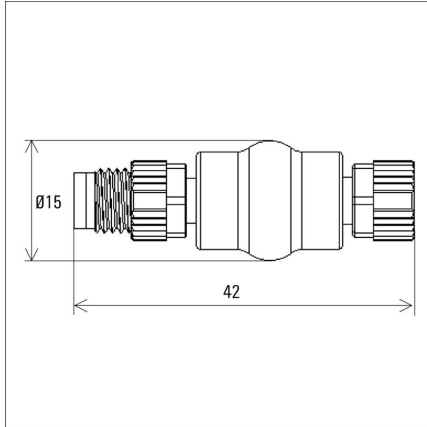
SAI-ADAPT-M8/M8 4/3P

Weidmüller Interface GmbH & Co. KG
Klingenbergstraße 26
D-32758 Detmold
Germany

www.weidmueller.com

Drawings

Dimensioned drawing



Wiring diagram

