

**IE-CD-V14MRJ-C-MA**

**Weidmüller Interface GmbH & Co. KG**  
Klingenbergstraße 26  
D-32758 Detmold  
Germany

www.weidmueller.com



Junction box / coupling, design for FreeCon PushPull  
plug-in connectors ver. 14 according to IEC 61076-3-117

**General ordering data**

Version	Junction box, FreeCon, RJ45, Plug-in connector, IP65
Order No.	<a href="#">1068870000</a>
Type	IE-CD-V14MRJ-C-MA
GTIN (EAN)	4032248823895
Qty.	1 items

## IE-CD-V14MRJ-C-MA

Weidmüller Interface GmbH &amp; Co. KG

Klingenbergstraße 26

D-32758 Detmold

Germany

www.weidmueller.com

## Technical data

## Approvals

Approvals



ROHS Conform

UL File Number Search [UL Website](#)

Certificate no. (cULus) E316369

## Dimensions and weights

Depth	60 mm	Depth (inches)	2.3622 inch
Height	52 mm	Height (inches)	2.0472 inch
Width	41 mm	Width (inches)	1.6142 inch
Net weight	286.47 g		

## Temperatures

Storage temperature	Operating temperature	-40 °C...70 °C
Installation temperature		

## Environmental Product Compliance

RoHS Compliance Status	Compliant without exemption
REACH SVHC	No SVHC above 0.1 wt%

## General data

UL 94 flammability rating	V-0	Colour	silver
Housing main material	Aluminium profile, Cover: die-cast zinc, painted	Type of mounting	Screw mounting
Protection degree	IP65		

## Technical data RJ45 coupling

Current carrying capability (RJ45 coupling)	1 A	Dielectric strength, contact - contact, min. (RJ45 coupling)	≥ 1000 V DC
Housing base material (RJ45 coupling)	Zinc diecast	Category (RJ45 coupling)	Cat.6A / Class EA (ISO/IEC 11801 2010)
Insulation resistance (RJ45 coupling)	> 500 MΩ	Dielectric strength, contact - shielding, max. (RJ45 coupling)	≥ 1500 V DC
Contact surface (RJ45 coupling)	Gold over nickel	Contact resistance (RJ45 coupling)	≤ 20 mΩ

## General standards

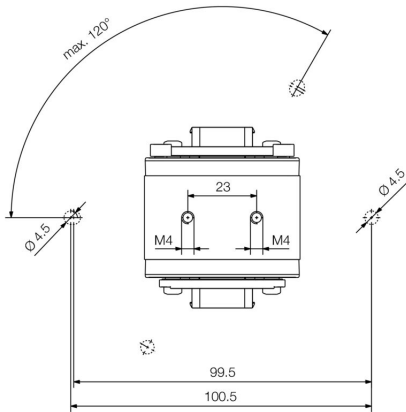
Connector standard	IEC 61076-3-117 Var. 14, IEC 60603-7-5	Certificate no. (cULus)	E316369
--------------------	--	-------------------------	---------

## Classifications

ETIM 8.0	EC002597	ETIM 9.0	EC002597
ETIM 10.0	EC002597	ECLASS 14.0	27-44-03-18
ECLASS 15.0	27-44-03-18		

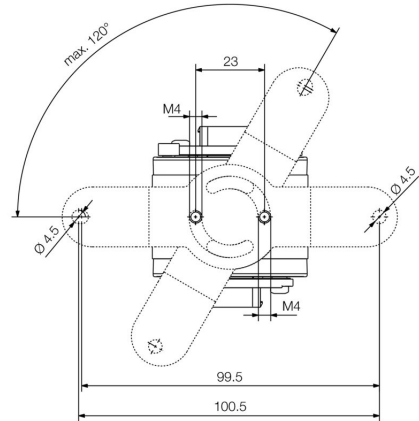
**Drawings**

**Dimensioned drawing**



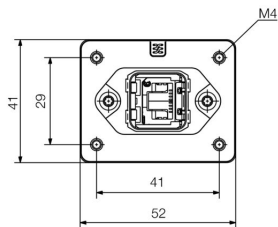
Bottom view

**Dimensioned drawing**



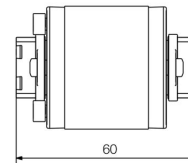
Bottom view with mounting foot

**Dimensioned drawing**



Front view

**Dimensioned drawing**



Side view

## IE-CD-V14MRJ-C-MA

**Weidmüller Interface GmbH & Co. KG**  
 Klingenbergstraße 26  
 D-32758 Detmold  
 Germany

www.weidmueller.com

## Accessories

## Dust caps



For protecting your devices against dust and dirt.

## General ordering data

Type	IE-BP-V14P	Version	
Order No.	<a href="#">1058310000</a>	Flange-mounted housing, protective cap	
GTIN (EAN)	4032248799404		
Qty.	10 ST		

## Sets - RJ45



PushPull plug-in connector set according to IEC 61076-3-117 ver.14 (PROFINET), metal incl. RJ45 insert

## General ordering data

Type	IE-PS-V14M-RJ45-FH-P	Version	
Order No.	<a href="#">1012170000</a>	Plug insert RJ45 tool-free, Variant 14 metal, Cat.5 (ISO/IEC 11801)	
GTIN (EAN)	4032248719815		
Qty.	10 ST		

## Dragline cable Cat.5 PUR - RJ45 V14 IP67



Assembled IE cables, PROFINET, Cat. 5, PUR, green, drag-chain compatible, PushPull plug-in connector according to IEC 61076-3-117 ver. 14

## General ordering data

Type	IE-C5DD4UG0010A2EA2E-X	Version	
Order No.	<a href="#">1119730010</a>	Dragline cable, PROFINET, RJ45 IP 67 PushPull V14 metal, RJ45 IP 67 PushPull V14 metal, Cat.5 (ISO/IEC 11801) / Cat.5e (TIA T568-B), PUR, 1 m	
GTIN (EAN)	4032248985463		
Qty.	1 ST		