

KLIPPON STB 2.1 SS E

Weidmüller Interface GmbH & Co. KG
 Klingenbergstraße 26
 D-32758 Detmold
 Germany

www.weidmueller.com

Similar to illustration



Abbildung ähnlich

Ideally suited for the energy, process and transportation industries, the Klippon® STB enclosure series is the perfect complement to our existing Klippon® enclosure portfolio. Enclosures in this series are approved according to international standards such as e.g. EN62208 and EN60079-0/7 (ATEX).

- Mirror-polished or electropolished stainless steel 1.4404 (316L), 1.5 mm
- High-temperature-resistant seal as standard - extended temperature range of -60°C to +100°C for Ex application (+120°C only for industrial application)
- Approved according to ATEX, IECEx, cULus, Lloyds Register, Germanischer Lloyd, GL DNV and INMETRO
- Flexible options for fastening the internal mounting rail
- IP66 protection
- Secure, permanent function of the seal is ensured by seal compression protection
- Earthing stud in the cover and base of the enclosure
- Laser cut weld seams for increased quality
- Already welded-on mounting feet guarantee optimum enclosure installation

Weidmüller can manufacture and supply this enclosure - according to customer specifications - fitted with all necessary terminals and cable glands.

General ordering data

Version	Klippon STB (Small Terminal Box), Empty enclosure, stainless steel enclosure, Height: 190 mm, Width: 150 mm, Depth: 90 mm, Basic material: Stainless steel 1.4404 (316L), electropolished, silver
Order No.	1058840000
Type	KLIPPON STB 2.1 SS E
GTIN (EAN)	4032248800711
Qty.	1 items

KLIPPON STB 2.1 SS E

Weidmüller Interface GmbH & Co. KG
 Klingenbergstraße 26
 D-32758 Detmold
 Germany

www.weidmueller.com

Technical data

Approvals

Approvals



ROHS	Conform
UL File Number Search	UL Website
Certificate no. (cULus)	E256877

Dimensions and weights

Depth	90 mm	Depth (inches)	3.5433 inch
Height	190 mm	Height (inches)	7.4803 inch
Width	150 mm	Width (inches)	5.9055 inch
Mounting dimension - width	175 mm	Net weight	1998 g

Temperatures

Operating temperature	-60 °C...100 °C
-----------------------	-----------------

Environmental Product Compliance

RoHS Compliance Status	Compliant without exemption
REACH SVHC	No SVHC above 0.1 wt%

Cable glands, left

M12	15	M50	1
M16	10	M32	3
M25	3	M20	8
M40	2		

Cable glands, right

M25	3	M16	10
M40	2	M50	1
M32	3	M20	10
M12	18		

Cable glands, top/bottom

M20	8	M12	15
M40	2	M32	3
M25	3	M50	1
M16	10		

Certificate numbers enclosure

Declaration of Conformity No. (DoC LVD)	DE PS2620 160412 001ISS02	Attestation of Conformity No. (AoC)	DE PS2620 160308 001ISS04
Certificate no. Terminal Box (KOSHA)	16-AV4BO-0247X	Certificate no. empty enclosure (INMETRO)	LMP 21.0015U

KLIPPON STB 2.1 SS E

Weidmüller Interface GmbH & Co. KG

Klingenbergstraße 26
D-32758 Detmold
Germany

www.weidmueller.com

Technical data

Certificate No. (DNV)	TAE00003ZT	Certificate no. Terminal Box (AEx)	E223792
Certificate no. Terminal Box (ATEX)	IBExU07ATEX1148	Certificate no. empty enclosure (ATEX)	IBExU 07ATEX1147U
Certificate No. (LLOYDSREG)	LR23307703TA	Certificate no. Terminal Box (INMETRO)	LMP 21.0018
Certificate no. (INMETRO)	IEX13.0002U	Certificate no. Terminal Box (IECEX)	IECEX IBE 09.0019
Certificate no. empty enclosure (IECEX)	IECEX IBE 09.0018U	Certificate No. (IECEX)	IECEXIBE09.0018U
Certificate No. (ATEX)	IBEXU07ATEX1147U	Approval conditions	ATEX, DNV, IECEX, INMETRO, LR, RMRS, UL AEx Class Div., UL AEx Class Zone, cULus, KC, CCC
Certificate no. (cULus)	E256877		

General information

Material thickness of cover	1.5 mm	Material thickness of enclosure	1.5 mm
Operating temperature, max.	100 °C	Operating temperature, min.	-60 °C
Lid attachment	M5 hexagonal screw with slot and 10mm distance across flats	Surface finish	electropolished
Impact resistance	10 J version standard, 7 J ATEX version	Protection degree	IP66
Basic material	Stainless steel 1.4404 (316L)	Seal material	Silicone
Torque for lid screws	2.5 Nm	Integral fixing	TAS 20 rail welded to floor
Enclosure attachment	Welded-on mounting foot with 8-mm holes	Protection class (UL)	Type 4, Type 4X
Number of lid screws	4	Access opening: width	130 mm
Flange plate	No	Lid	Yes
Access opening: height	172 mm	Areas of use	Explosive risk zone, Packaging industry, Transportation, Process industry, Marine engineering

Housing earth

Cross-section , max.	25 mm ²	Earth, enclosure, cover	Welded-on M6 x 10 stainless-steel earth stud
Earth, enclosure, external	Welded-on M6 x 16 stainless-steel bolts	Earth, enclosure, internal	Welded-on M6 x 16 stainless-steel bolts

vertical assembly

WDU 10 / ZDU 10	1x15	WDU 16 / ZDU 16	1x13
WDU 2,5 / ZDU 2,5 / IDU 2,5	1x30	WDU 4 / ZDU 4	1x25
WDU 6 / ZDU 6	1x20		

Important note

Product information	The ambient temperature for the assembly will be reduced to +60°C and the surface temperature to +100°C.
---------------------	--

Classifications

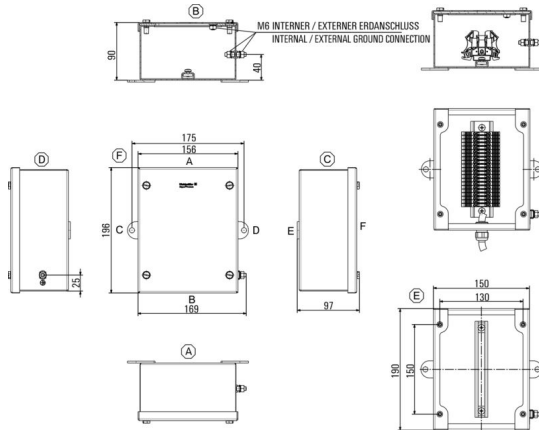
ETIM 8.0	EC002503	ETIM 9.0	EC002503
ETIM 10.0	EC002503	ECLASS 14.0	27-18-05-02
ECLASS 15.0	27-18-05-02		

KLIPPON STB 2.1 SS E

Weidmüller Interface GmbH & Co. KG
Klingenbergstraße 26
D-32758 Detmold
Germany

Drawings

Dimensioned drawing



KLIPPON STB 2.1 SS E

Weidmüller Interface GmbH & Co. KG
 Klingenbergstraße 26
 D-32758 Detmold
 Germany

www.weidmueller.com

Accessories

Terminal rails - TS35



The system accessories for the Klippon® STB enclosure series allows you to easily adapt the enclosures to meet the specific requirements of every application.

- DIN Rails TS 35
- Mounting screws

Weidmüller can manufacture and supply this enclosure - according to customer specifications - fitted with all necessary terminals and cable glands.

General ordering data

Type	SFNS5 VKMU M5 SW15	Version
Order No.	0433500000	Klippon STB (Small Terminal Box), Fixing nut, Square, Height: 15 mm,
GTIN (EAN)	4008190494520	Width: 15 mm, Depth: 11.7 mm, Basic material: Steel, galvanized,
Qty.	20 ST	galvanized, silver

Installation material



Integrate, expand and customise - the perfect supplement to every application

The fully structured range of system accessories for the new Klippon® TB enclosure series allows you to easily adapt the enclosures to meet the specific requirements of every application.

Mounting hardware kits

Mounting hardware kits are available for quick and easy installation of type label holders, document holders and rain hoods.

The label fastening set – SD is required to install a plastic (Trafolyte) ID or type label. With the aid of this set can you mount the ID or type label directly on the enclosure cover. The label fastening set has been specially developed for this purpose. Only by using this fastening set can you ensure that there will be no leaks into the enclosure or damage to the label.

The universal fastening set – TPSD has been developed to enable secure and quick installation of type label holders, rain covers or document holders, for example. By using this fastening set, the risk of leaks can be minimised, if not avoided.

General ordering data

Type	TPSD FIXING SET KTB	Version
Order No.	1252190000	Klippon TB (Terminal Box), Type plate fixings set, Basic material:
GTIN (EAN)	4050118043969	Stainless steel, rust-proof, untreated, silver
Qty.	20 ST	
Type	SD FIXING SET	Version
Order No.	1285200000	Klippon TB (Terminal Box), Identification plate fixing set, Height: 12
GTIN (EAN)	4050118075472	mm, Width: 12 mm, Depth: 16.4 mm, Basic material: Stainless steel,
Qty.	1 ST	rust-proof, untreated, silver

KLIPPON STB 2.1 SS E

Weidmüller Interface GmbH & Co. KG
 Klingenbergstraße 26
 D-32758 Detmold
 Germany

Accessories

www.weidmueller.com

Grounding strap

The fully structured range of system accessories for the new Klippon® TB enclosure series allows you to easily adapt the enclosures to meet the specific requirements of every application. The following options are available:

- Closure Elements
- Document holders
- Earthing stud
- Gland plates
- Installation material
- Mounting plates
- Rain hoods
- Spacer
- Terminal rails
- Type label holder

General ordering data

Type	PECD WIRE 6/200/D6 SET	Version
Order No.	2475490000	Klippon TB (Terminal Box), Grounding strap, Ssrewed, Basic material:
GTIN (EAN)	4050118487206	Steel, Green/yellow
Qty.	1 ST	

Ventilation plugs - DAE



In addition to cable glands for a wide range of applications, the product portfolio is rounded off by plugs, pressure compensation elements, adaptors and the corresponding accessories such as locknuts, sealing rings, flat washers and earthing rings.

General ordering data

Type	DAE M12 SS	Version
Order No.	1868550000	DAE (ventilation element), Compensating element, straight, M 12, 10 mm, IP66, IP68, IP69K, Stainless steel 1.4305 (303)
GTIN (EAN)	4032248440405	
Qty.	10 ST	
Type	DAE M12 PA LONG	Version
Order No.	1868570000	DAE (ventilation element), Compensating element, straight, M 12, 10 mm, IP66, IP68, IP69K, Polyamide 6
GTIN (EAN)	4032248440429	
Qty.	10 ST	

KLIPPON STB 2.1 SS E

Weidmüller Interface GmbH & Co. KG
 Klingenbergstraße 26
 D-32758 Detmold
 Germany

www.weidmueller.com

Accessories

Terminal rails - TS35



The system accessories for the Klippon® STB enclosure series allows you to easily adapt the enclosures to meet the specific requirements of every application.

- DIN Rails TS 35
- Mounting screws

Weidmüller can manufacture and supply this enclosure - according to customer specifications - fitted with all necessary terminals and cable glands.

General ordering data

Type	TS35X7.5 ST STB 2.1 STB...	Version
Order No.	1567660000	Rail, TS 35, TS 35 x 7.5, Width: 150 mm, without slot, Steel, galvanic zinc plated and passivated
GTIN (EAN)	4008190084868	
Qty.	100 ST	
Type	TS35X15 ST STB 2.1 STB 3	Version
Order No.	8000073219	Rail, TS 35, TS 35 x 15, Width: 150 mm, with slot, Steel, galvanic zinc plated and passivated
GTIN (EAN)	4064675356776	
Qty.	20 ST	