

SAIEND CAN-M12 5P A-COD

Weidmüller Interface GmbH & Co. KG
Klingenbergstraße 26
D-32758 Detmold
Germany

www.weidmueller.com



Weidmüller offers a wide range of tools and accessories for sensor-actuator cabling.

General ordering data

Version	Protected component assemblies, SAI Active, Accessories, Sensor/Actuator plug-in connector
Order No.	1784760000
Type	SAIEND CAN-M12 5P A-COD
GTIN (EAN)	4032248191840
Qty.	1 items

SAIEND CAN-M12 5P A-COD

Weidmüller Interface GmbH & Co. KG
 Klingenbergstraße 26
 D-32758 Detmold
 Germany

www.weidmueller.com

Technical data

Approvals

Approvals



ROHS Conform

Dimensions and weights

Net weight 10 g

Temperatures

Storage temperature Operating temperature -25 °C...85 °C

Environmental Product Compliance

RoHS Compliance Status Compliant with exemption
 RoHS Exemption (if applicable/known) 6c
 REACH SVHC Lead 7439-92-1
 SCIP 1c533b66-fcff-4da5-b89f-fd55fbf5cb55

Technical specifications for cable

Number of poles 5

General technical data

Connection thread	M12	Version	pin, straight
Protection degree	IP67, IP68	Plugging cycles	≥ 100
Pollution severity	3		

Classifications

ETIM 8.0	EC000448	ETIM 9.0	EC000448
ETIM 10.0	EC000448	ECLASS 14.0	19-07-04-03
ECLASS 15.0	19-07-04-03		

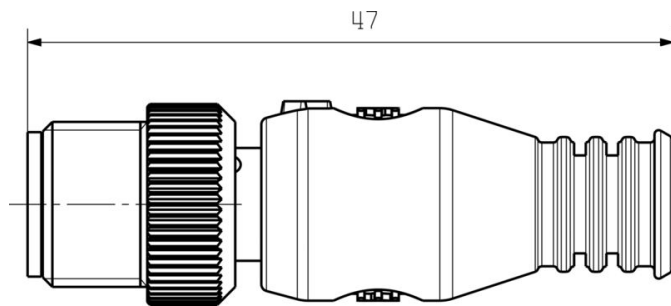
SAIEND CAN-M12 5P A-COD

Weidmüller Interface GmbH & Co. KG
Klingenbergstraße 26
D-32758 Detmold
Germany

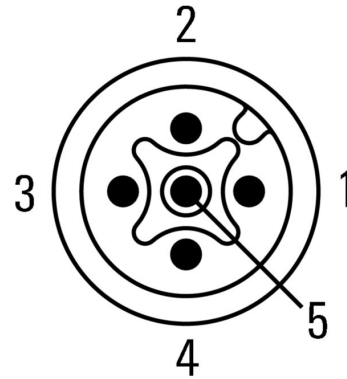
www.weidmueller.com

Drawings

Dimensioned drawing



Pole scheme



Wiring diagram

