

## SAID-M12BL-5-SMT

**Weidmüller Interface GmbH & Co. KG**  
Klingenbergstraße 26  
D-32758 Detmold  
Germany

[www.weidmueller.com](http://www.weidmueller.com)



### General ordering data

Version	Built-in plugs, M12, Mounting thread: M 16, Number of poles: 5, Strand / cable length:
Order No.	<a href="#">2530820000</a>
Type	SAID-M12BL-5-SMT
GTIN (EAN)	4050118540949
Qty.	60 items

## SAID-M12BL-5-SMT

**Weidmüller Interface GmbH & Co. KG**  
 Klingenbergstraße 26  
 D-32758 Detmold  
 Germany

www.weidmueller.com

## Technical data

### Approvals

ROHS	Conform
------	---------

### Dimensions and weights

Net weight	1.52 g
------------	--------

### Environmental Product Compliance

RoHS Compliance Status	Compliant with exemption
RoHS Exemption (if applicable/known)	6c
REACH SVHC	Lead 7439-92-1
SCIP	d9f8df28-a704-45a9-a1cb-1fe1442b5ef0

### Technical data of PCB plug-in connector

Number of poles	5	Coding	L-coded
Nominal voltage	63 V	Nominal current	16 A
Rated current	16 A	Protection degree	IP67, when fully mounted
Contact surface	Gold over nickel	Housing main material	LCP
Connection thread	M12	Tightening torque	M12: 0.8 - 1.2 Nm
Mounting thread	M 16	Pollution severity	3 (2 within the sealed area)
Plugging cycles	500	Contact material	Cu-alloy

### General Info

Number of poles	5	UL 94 flammability rating	V-0
Housing main material	LCP	Connection thread	M12
Contact material	Cu-alloy	Contact surface	Gold over nickel
Protection degree	IP67, when fully mounted	Plugging cycles	500

### Important note

Notes

### Classifications

ETIM 8.0	EC003557	ETIM 9.0	EC003557
ETIM 10.0	EC003557	ECLASS 14.0	27-44-02-23
ECLASS 15.0	27-44-02-23		

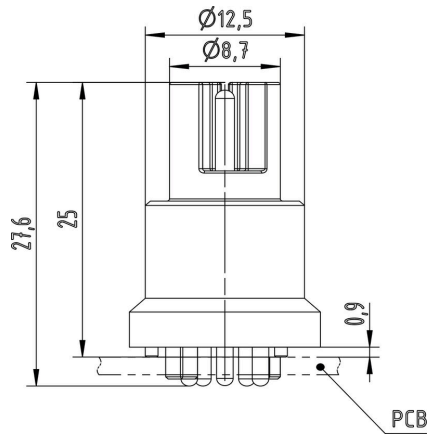
SAID-M12BL-5-SMT

Weidmüller Interface GmbH & Co. KG  
Klingenbergstraße 26  
D-32758 Detmold  
Germany

Drawings

www.weidmueller.com

Dimensioned drawing



PCB design

