

SAI-08D-VP3V-4A-P12L-PNP

Weidmüller Interface GmbH & Co. KG
 Klingenbergstraße 26
 D-32758 Detmold
 Germany

www.weidmueller.com

Product image



Whereas the standard M12 system requires the sleeves to be laboriously screwed on and that operation is hindered by the vibration guard, M12 Push-Pull works with one click, just like those well-known garden hose systems. The audible locking function guarantees a safe and reliable connection as well as a good seal. The new SAI M12 Push-Pull distributors can be used with M12 plug-in connectors but also with the new M12 Push-Pull plug-in connectors.

General ordering data

Version	with M23 outlet, 12-pole, M12, M23, 30 V, A-coded, LED: Yes, LED initiator: Yes, Wiring type: PNP
Order No.	3023700000
Type	SAI-08D-VP3V-4A-P12L-PNP
GTIN (EAN)	4099986944701
Qty.	1 items

SAI-08D-VP3V-4A-P12L-PNP

Weidmüller Interface GmbH & Co. KG
Klingenbergstraße 26
D-32758 Detmold
Germany

www.weidmueller.com

Technical data

Approvals

Approvals



ROHS Conform

Dimensions and weights

Height	35.2 mm	Height (inches)	1.3858 inch
Width	56 mm	Width (inches)	2.2047 inch
Length	160 mm	Length (inches)	6.2992 inch
Net weight	250 g		

Temperatures

Operating temperature -25 - 80°C

Environmental Product Compliance

RoHS Compliance Status	Compliant with exemption
RoHS Exemption (if applicable/known)	6c
REACH SVHC	Lead 7439-92-1, Bumetrizole (UV-326) 3896-11-5
SCIP	aff684c1-bd47-44d6-8d6c-78b6bd183080

Connection data

Distributor outlet	with M23 outlet, 12-pole	Tightening torque	M12: 0.4 Nm, M23: 2.5 Nm
--------------------	--------------------------	-------------------	--------------------------

Standards

Connector standard IEC 61076-2-010

Electrical data

Rated voltage, min.	10 V	Rated voltage, max.	30 V
Max. current-carrying capacity per slot	4 A	Total current	10 A
Current per signal	2 A	Electrical isolation available	No

General technical data

Protection degree	when screwed in, IP67	Plug-in station coding	A-coded
Number of poles	4	Number of contact sockets	8
Connection thread	M12, M23	Fire behaviour	V-0
LED	Yes	LED initiator	Yes
LED colour for indicating operation	green	LED colour for I/O function	yellow

Material data

Material O-Ring	FKM, NBR	Housing main material	PBT
Material of distributor	Plastic	Housing colour	black
Contact material	CuSn, CuZn	Contact surface	Gold-plated
Contact carrier material	PA		

SAI-08D-VP3V-4A-P12L-PNP

Weidmüller Interface GmbH & Co. KG
Klingenbergstraße 26
D-32758 Detmold
Germany

www.weidmueller.com

Technical data**Technical data cable**

Number of poles	4	Suitable for cable carriers	No
-----------------	---	-----------------------------	----

Classifications

ETIM 8.0	EC003558	ETIM 9.0	EC003558
ETIM 10.0	EC003558	ECLASS 14.0	27-44-01-11
ECLASS 15.0	27-44-01-11		

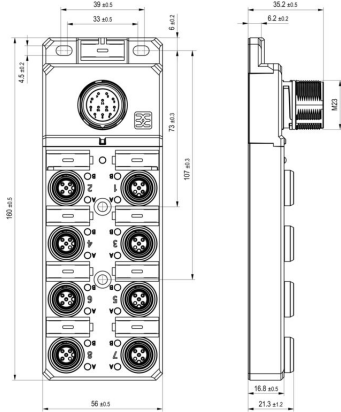
SAI-08D-VP3V-4A-P12L-PNP

Weidmüller Interface GmbH & Co. KG
 Klingenbergstraße 26
 D-32758 Detmold
 Germany

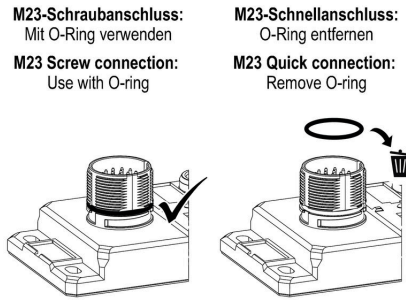
www.weidmueller.com

Drawings

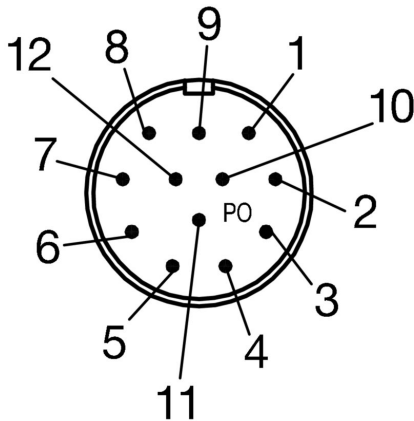
Dimensioned drawing



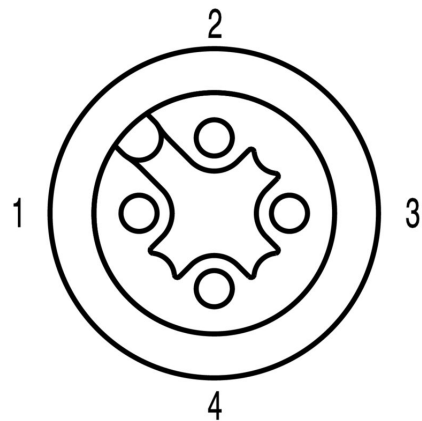
Detailed drawing



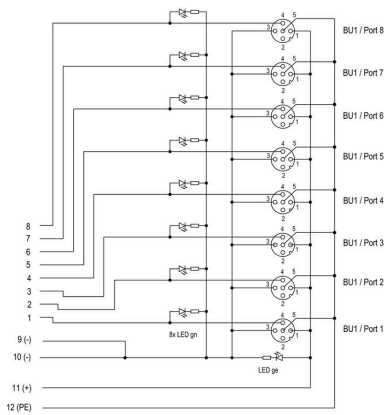
Pole scheme



Pole scheme



Wiring diagram



SAI-08D-VP3V-4A-P12L-PNP

Weidmüller Interface GmbH & Co. KG
 Klingenbergstraße 26
 D-32758 Detmold
 Germany

www.weidmueller.com

Accessories

Blank



ESG is the tried-and-tested marker in MultiCard format for use on many well-known electrical devices. The result is high-quality device marking with a high-contrast appearance.

Various types are available for devices from manufacturers like Siemens, ABB, Beckhoff etc.

Advantages at a glance:

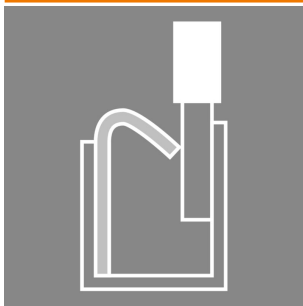
- Tags for universal usage, self-adhesive or clip-on tags, depending on type
- For aligned equipment, e.g. circuit breakers, we supply ESG markers for clipping onto tag rails
- Individual laser-quality printing according to specifications

For custom printing: Please send us a file of our labeling software M-Print PRO or M-Print PRO Online (without installation) for your labeling specifications.

General ordering data

Type	ESG 9/20 MC NE WS	Version	
Order No.	1609940000	ESG, Device markers x 20 mm, PA 66, Colour: white, pluggable	
GTIN (EAN)	4008190203528		
Qty.	200 ST		

PUSH IN



Individual cable lengths are often required nowadays. In order to meet these demands, Weidmüller offers a wide range of plug-in connectors for custom assembly. Male plugs and female socket for customisable assembly for M8, M12, M16 and 7/8" connections which are highly robust and ideally suited to machine engineering, for instance. The M12 plug-in connectors offer a choice of 5 different connection systems.

General ordering data

Type	SAISGP-P-4A-4/8-P12	Version	
Order No.	3153290000	Field attachable connector, M12 Push-Pull	
GTIN (EAN)	4099987636162		
Qty.	1 ST		
Type	SAISWP-P-4A-4/8-P12	Version	
Order No.	3153300000	Field attachable connector, M12 Push-Pull	
GTIN (EAN)	4099987636179		
Qty.	1 ST		

SAI-08D-VP3V-4A-P12L-PNP

Weidmüller Interface GmbH & Co. KG
Klingenbergstraße 26
D-32758 Detmold
Germany

www.weidmueller.com

Accessories

M12



Protective caps protect unassigned plug-in stations against external influences.

General ordering data

Type	SAI-SK-M12-PushPull	Version	
Order No.	3123470000	Protected component assemblies, Protective cap	
GTIN (EAN)	4099987270120		
Qty.	1 ST		