

SAI-H3-M12-K-SI

Weidmüller Interface GmbH & Co. KG
Klingenbergstraße 26
D-32758 Detmold
Germany

www.weidmueller.com



General ordering data

| | |
|------------|----------------------------|
| Version | Y connector |
| Order No. | 3099310000 |
| Type | SAI-H3-M12-K-SI |
| GTIN (EAN) | 4099987133968 |
| Qty. | 1 items |

SAI-H3-M12-K-SI

Weidmüller Interface GmbH & Co. KG

Klingenbergstraße 26

D-32758 Detmold

Germany

www.weidmueller.com

Technical data

Approvals

Approvals



ROHS Conform

Dimensions and weights

Net weight 50 g

Environmental Product Compliance

RoHS Compliance Status Compliant without exemption

REACH SVHC No SVHC above 0.1 wt%

Connection data

| | | | |
|-------------------------------------|------------|-------------------------------------|------------|
| Group outlet - plug-in connector | M12 pin | Single outlet 1 - plug-in connector | M12 socket |
| Single outlet 2 - plug-in connector | M12 socket | | |

Technical data customisable plug-in connectors

| | | | |
|------------------------------|----------------|------------------------|----------------------|
| Number of poles | 4 | Coding | K-coded |
| Contact surface | Gold-plated | Housing main material | TPU |
| Insulation resistance | ≥ 100 MΩ | Contact material | CuZn |
| Nominal voltage | 630 V | Nominal current | 16 A |
| Protection degree | IP65 | Plugging cycles | ≥ 100 |
| Pollution severity | 3 | Cable gland | M 12 |
| Shield connection | Yes | Threaded ring material | Brass, nickel-plated |
| Temperature range of housing | -40 ... +85 °C | | |

Standards

Connector standard IEC 61076-2-111

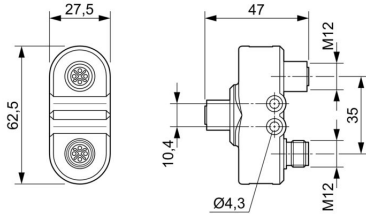
General data

| | | | |
|--------------------------|-------------|------------------------------|----------------|
| Number of poles | 4 | Coding | K-coded |
| Contact material, socket | CuZn | Contact material, pin | CuZn |
| Contact surface | Gold-plated | Housing main material | TPU |
| Insulation resistance | ≥ 100 MΩ | Contact material | CuZn |
| Nominal voltage | 630 V | Nominal current | 16 A |
| Protection degree | IP65 | Plugging cycles | ≥ 100 |
| Pollution severity | 3 | Cable gland | M 12 |
| Connection 1 | M12/M12 | Connection 2 | M12 |
| Shield connection | Yes | Temperature range of housing | -40 ... +85 °C |
| Conductor O.D. | - | | |

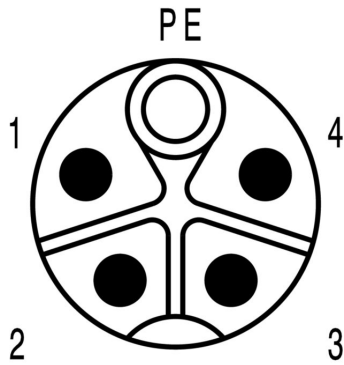
Classifications

| | | | |
|-------------|-------------|-------------|-------------|
| ETIM 8.0 | EC002925 | ETIM 9.0 | EC002925 |
| ETIM 10.0 | EC002925 | ECLASS 14.0 | 27-44-01-06 |
| ECLASS 15.0 | 27-44-01-06 | | |

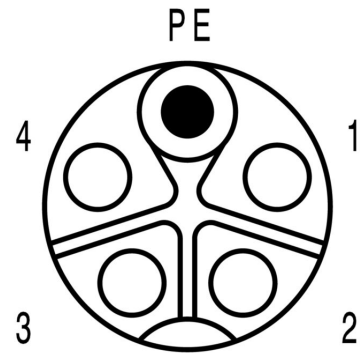
Dimensioned drawing



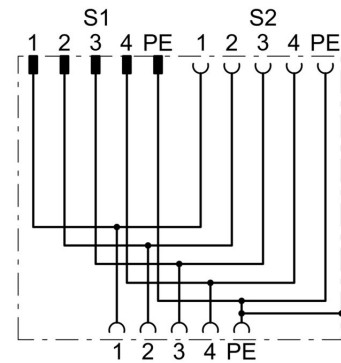
Pole scheme



Pole scheme



Wiring diagram



Derating curve

