

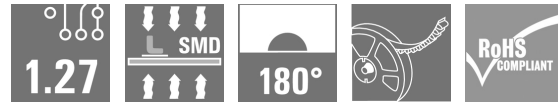
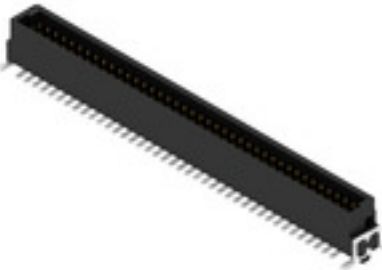
FMH1 S1/80V F1 B RL**Weidmüller Interface GmbH & Co. KG**

Klingenbergstraße 26

D-32758 Detmold

Germany

www.weidmueller.com

Product image**OMNIMATE® - Board-to-Board connectors**

Flexible engineering of compact devices

The use of future-proof contact systems, as well as the optimisation of manufacturing processes, are increasingly important in the development of efficient industrial devices, especially in the field of Industry 4.0. OMNIMATE® board-to-board connectors feature a 1.27 mm pitch and offer maximum flexibility due to different designs.

- **Flexible device design** - Industrial suitable density combined with high flexible connection combinations (Mezzanine, Mother-to-Daughter, Extender-card, Cable-to-Board)
- **Automation-Ready** - Developed for automatic assembly with high precise pin coplanarity and SMT-fixation
- **Reliable contact** - Up to 500 mating cycles due to industry suitable gold-surface (PdNi-Au)
- **Process-Ready** - High performance LCP material for reflow soldering
- **Scalability** - Different heights with high contact overlapping ensure various solutions from 12 – 80 poles.
- **Robust miniaturisation** - simple and safe connection even possible under unfavorable mating conditions – e.g. inclination or offset.

General ordering data

Version	PCB plug-in connector, male header, SMD solder connection, Pitch in mm (P): 1.27 mm, Number of poles: 80, 180°, Tape
Order No.	2747060000
Type	FMH1 S1/80V F1 B RL
GTIN (EAN)	4064675001195
Qty.	280 pc(s).
Product data	IEC: / 2.8 A UL: 150 V
Packaging	Tape

FMH1 S1/80V F1 B RL

Weidmüller Interface GmbH & Co. KG

Klingenbergstraße 26

D-32758 Detmold

Germany

www.weidmueller.com

Technical data

Dimensions and weights

Depth	7.4 mm	Depth (inches)	0.291 inch
Height	7.6 mm	Height (inches)	0.299 inch
Width	55.88 mm	Width (inches)	2.2 inch
Net weight	7.579 g		

System specifications

Product family	OMNIMATE Signal - Board-to-Board	Type of connection	Board connection
Mounting onto the PCB	SMD solder connection	Pitch in mm (P)	1.27 mm
Pitch in inches (P)	0.05 "	Outgoing elbow	180°
Number of poles	80	Number of solder pins per pole	1
Coplanarity:	0.1 mm	Number of rows	1
Pin series quantity	2	Protection degree	IP20
Volume resistance	<25 mΩ	Plugging cycles	500
Plugging force/pole, max.	0.6 N	Pulling force/pole, max.	0.6 N

Material data

Insulating material	LCP	Colour	black
Colour chart (similar)	RAL 9011	Insulating material group	IIIa
Insulation strength	≥ 10 ¹⁰ Ω	Moisture Level (MSL)	1
UL 94 flammability rating	V-0	Contact base material	Copper alloy
Contact material	Cu-alloy	Contact surface	Gold over nickel
Layer structure of plug contact	≥ 2 μm Ni / ≥ 0.4 μm PdNi / ≥ 0.05 μm Au	Storage temperature, min.	-40 °C
Storage temperature, max.	70 °C	Operating temperature, min.	-55 °C
Operating temperature, max.	125 °C		

Rated data acc. to IEC

Rated current, min. number of poles (Tu=20°C)	2.8 A	Clearance, min.	0.4 mm
Creepage distance, min.	0.4 mm		

Rated data acc. to UL 1977

Reference to approval values	Specifications are maximum values, details - see approval certificate.	Rated voltage (UL 1977) (obsolete)	150 V
------------------------------	--	------------------------------------	-------

Packing

Packaging	Tape	VPE length	350 mm
VPE width	345 mm	VPE height	135 mm

Classifications

ETIM 6.0	EC002637	ETIM 7.0	EC002637
ETIM 8.0	EC002637	ETIM 9.0	EC002637
ETIM 10.0	EC002637	ECLASS 9.0	27-44-04-02
ECLASS 9.1	27-44-04-02	ECLASS 10.0	27-44-04-02
ECLASS 11.0	27-46-02-01	ECLASS 12.0	27-46-02-01
ECLASS 13.0	27-46-02-01	ECLASS 14.0	27-46-02-01
ECLASS 15.0	27-46-02-01		

Creation date May 11, 2025 10:12:20 PM CEST

Catalogue status 26.04.2025 / We reserve the right to make technical changes.

2

FMH1 S1/80V F1 B RL

Weidmüller Interface GmbH & Co. KG
Klingenbergstraße 26
D-32758 Detmold
Germany

www.weidmueller.com

Technical data

Environmental Product Compliance

RoHS Compliance Status	Compliant without exemption
REACH SVHC	No SVHC above 0.1 wt%

Important note

IPC conformity	Conformity: The products are developed, manufactured and delivered according international recognized standards and norms and comply with the assured properties in the data sheet resp. fulfill decorative properties in accordance with IPC-A-610 "Class 2". Further claims on the products can be evaluated on request.
----------------	--

Approvals

Approvals



Approvals MAMID	https://mdcop.weidmueller.com/mediadelivery/rendition/900_319230/-T1z1mm-S800/
ROHS	Conform
UL File Number Search	UL Website
Certificate No. (cURus)	E92202

Downloads

Engineering Data	CAD data – STEP
Catalogues	Catalogues in PDF-format

Data sheet

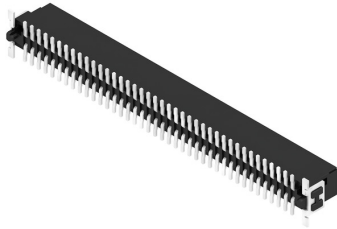
FMH1 S1/80V F1 B RL

Weidmüller Interface GmbH & Co. KG
 Klingenbergstraße 26
 D-32758 Detmold
 Germany

www.weidmueller.com

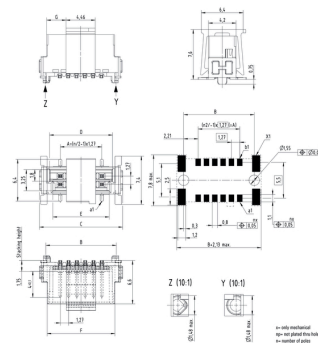
Drawings

Product image

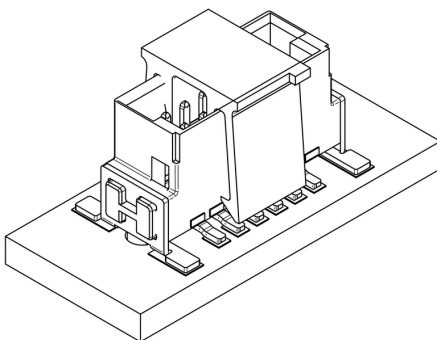


Dimensional drawing

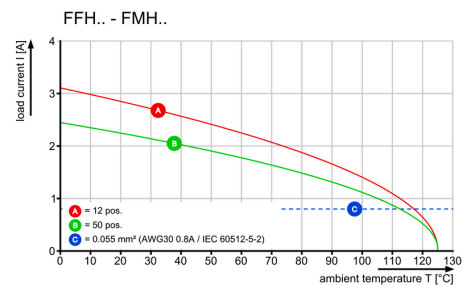
Type	No. of pins	Reference	A	B	C	D	E	F	G
FMH1 S1/80V F1 B RL	12	750000000	8,00	9,70	11,7	6,50	8,50	10,00	2,00
FMH1 S1/80V F1 B RL	15	750000000	8,00	9,70	11,7	6,50	8,50	10,00	2,00
FMH1 S1/80V F1 B RL	18	750000000	8,00	9,70	11,7	6,50	8,50	10,00	2,00
FMH1 S1/80V F1 B RL	24	750000000	8,00	9,70	11,7	6,50	8,50	10,00	2,00
FMH1 S1/80V F1 B RL	30	750000000	8,00	9,70	11,7	6,50	8,50	10,00	2,00
FMH1 S1/80V F1 B RL	36	750000000	8,00	9,70	11,7	6,50	8,50	10,00	2,00
FMH1 S1/80V F1 B RL	42	750000000	8,00	9,70	11,7	6,50	8,50	10,00	2,00
FMH1 S1/80V F1 B RL	48	750000000	8,00	9,70	11,7	6,50	8,50	10,00	2,00
FMH1 S1/80V F1 B RL	54	750000000	8,00	9,70	11,7	6,50	8,50	10,00	2,00
FMH1 S1/80V F1 B RL	60	750000000	8,00	9,70	11,7	6,50	8,50	10,00	2,00
FMH1 S1/80V F1 B RL	66	750000000	8,00	9,70	11,7	6,50	8,50	10,00	2,00
FMH1 S1/80V F1 B RL	72	750000000	8,00	9,70	11,7	6,50	8,50	10,00	2,00
FMH1 S1/80V F1 B RL	78	750000000	8,00	9,70	11,7	6,50	8,50	10,00	2,00
FMH1 S1/80V F1 B RL	84	750000000	8,00	9,70	11,7	6,50	8,50	10,00	2,00
FMH1 S1/80V F1 B RL	90	750000000	8,00	9,70	11,7	6,50	8,50	10,00	2,00



Detailed drawing



Derating curve

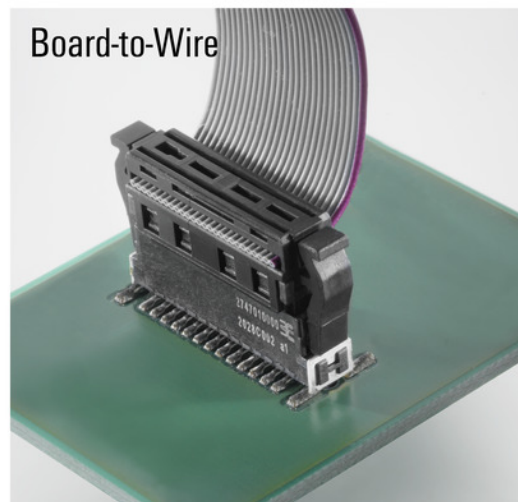
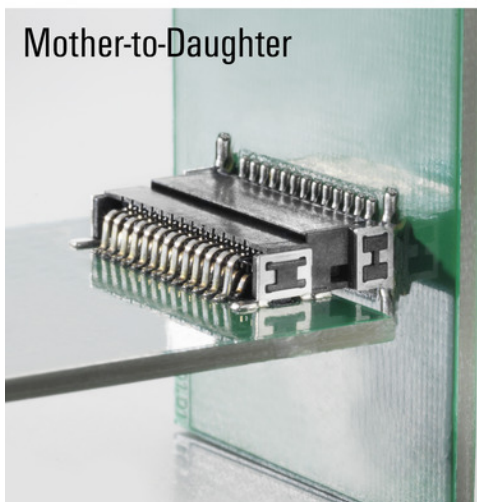
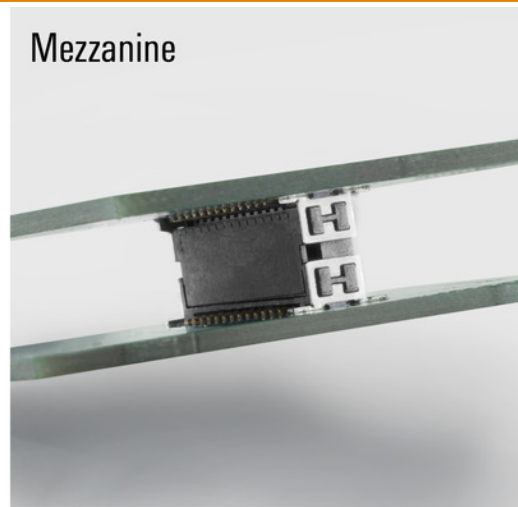
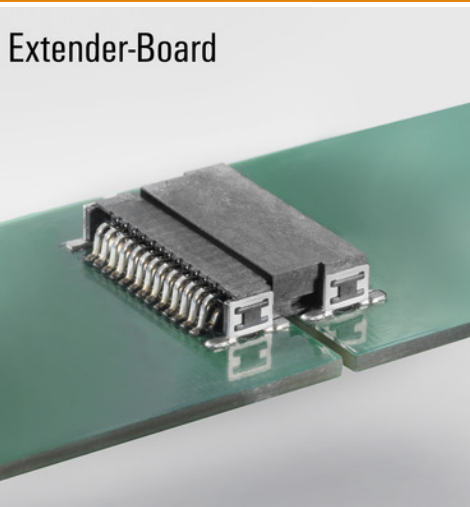


FMH1 S1/80V F1 B RL

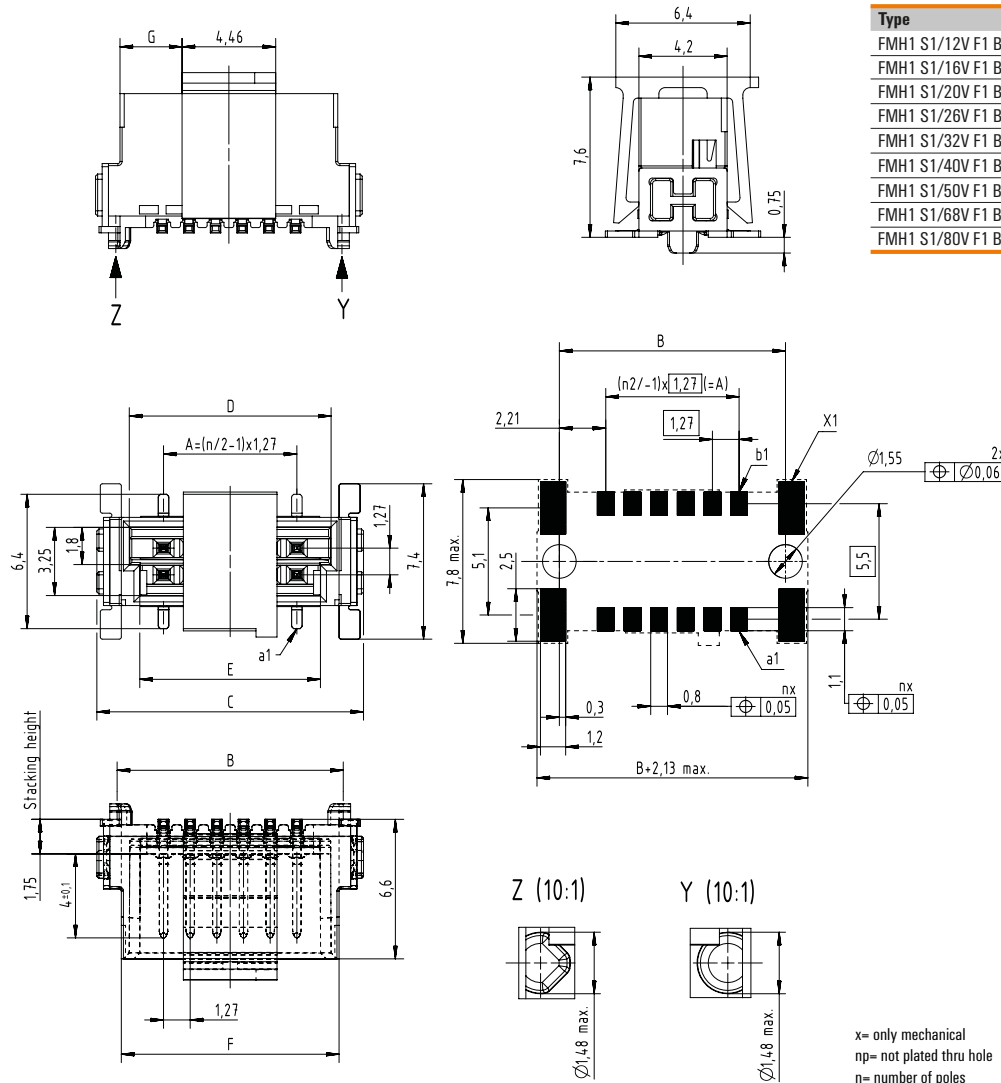
Weidmüller Interface GmbH & Co. KG
Klingenbergstraße 26
D-32758 Detmold
Germany

www.weidmueller.com

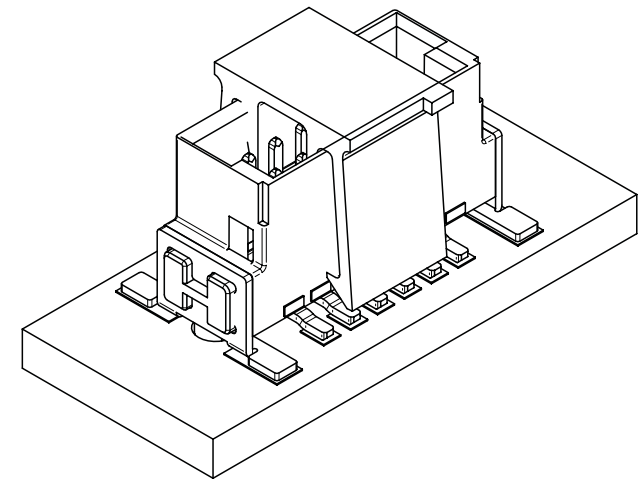
Drawings



FMH1 S1/..V F1 B RL



Type	Order no.	No. of poles	A	B	C	D	E	F	G
FMH1 S1/12V F1 B RL	2746980000	12	6,35	10,77	12,7	9,57	8,57	10,37	2,96
FMH1 S1/16V F1 B RL	2746990000	16	8,89	13,31	15,24	12,11	11,11	12,91	4,23
FMH1 S1/20V F1 B RL	2747000000	20	11,43	15,85	17,78	14,65	13,65	15,45	5,5
FMH1 S1/26V F1 B RL	2747010000	26	15,24	19,66	21,59	18,46	17,46	19,26	7,4
FMH1 S1/32V F1 B RL	2747020000	32	19,05	23,47	25,4	22,27	21,27	23,07	9,31
FMH1 S1/40V F1 B RL	2747030000	40	24,13	28,55	30,48	27,35	26,35	28,15	11,85
FMH1 S1/50V F1 B RL	2747040000	50	30,48	34,9	36,83	33,7	32,7	34,5	15,02
FMH1 S1/68V F1 B RL	2747050000	68	41,91	46,33	48,26	45,13	44,13	45,93	20,74
FMH1 S1/80V F1 B RL	2747060000	80	49,53	53,95	55,88	52,75	51,75	53,55	24,55

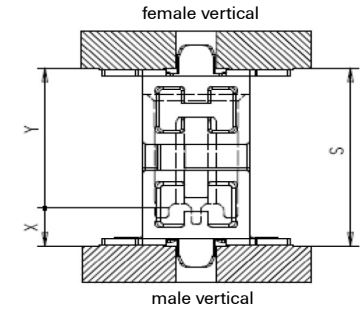
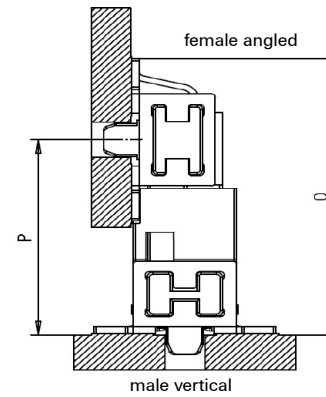


x= only mechanical
 np= not plated thru hole
 n= number of poles

Male vertical - FMH1 | FMH3

Application - dimensions

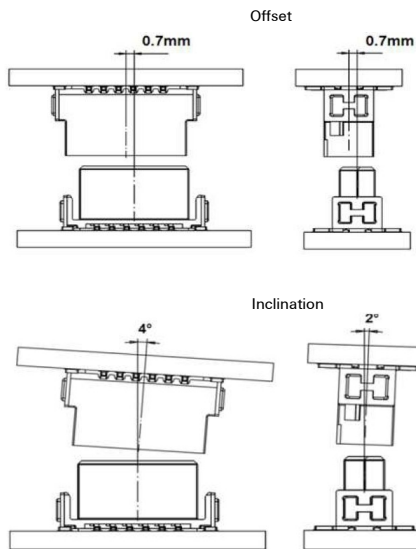
		14 mm			
		13 mm			
		12 mm			
		11 mm			
		10 mm			
		9 mm			
		8 mm			
X	stacking	male 1,75mm	male 3,25mm	male 1,75mm	male 3,25mm
Y	heights	female 6,25mm	female 6,25mm	female 9,05mm	female 9,05mm
S	PCB distance	8mm - 9,5mm	9,5mm - 11mm	10,8mm - 12,3mm	12,3mm - 13,8mm
	Type	FMH1.. FFH6..	FMH3.. FFH6..	FMH1.. FFH9..	FMH3.. FFH9..



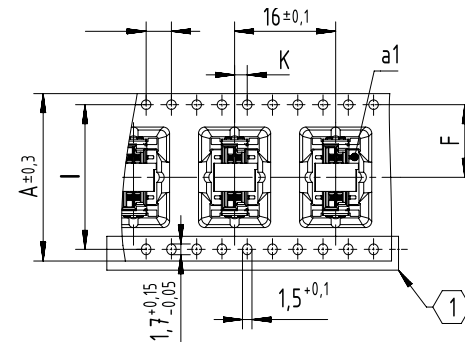
X	Y	S min.	*S max.	P min.	O
3,25	9,05	12,3	13,8	-	-
1,75	9,05	10,8	12,3	-	-
3,25	6,25	9,5	11	-	-
1,75	6,25	8	9,5	-	-
3,25	-	-	-	10,25	14,08
1,75	-	-	-	8,75	12,58

*S max. = S min. + 1,15 wiping length with additional contact overlap security

Mating conditions

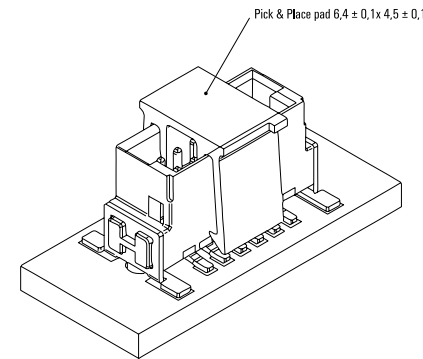


Tape - dimensions

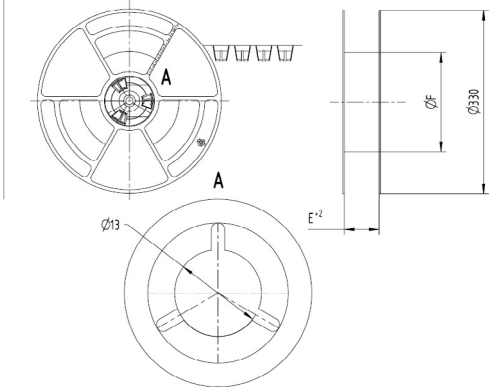


Tape dimensions	A	F	I	K
Pole 12	24,0	11,5 ± 0,1	-	2 ± 0,1
Poles 14 to 20	32,0	14,2 ± 0,1	28,4	2 ± 0,1
Poles 22 to 40	44,0	20,2 ± 0,15	40,2	2 ± 0,15
Poles 42 to 56	56,0	26,2 ± 0,15	52,4	2 ± 0,15
Poles 58 to 80	72,0	34,2 ± 0,3	68,4	2 ± 0,2

① No double sprocket holes for 12 pole numbers (tape size 24)



Reel - dimensions



Reel dimensions	E	F
Pole 12	24,4	178mm for stacking height 1,75mm & 3,25mm
Poles 14 to 20	32,4	
Poles 22 to 40	44,4	
Poles 42 to 56	56,4	
Poles 58 to 80	72,4	

Recommended reflow soldering profile

Weidmüller Interface GmbH & Co. KG
 Klingenbergstraße 16
 D-32758 Detmold
 Germany
 Fon: +49 5231 14-0
 Fax: +49 5231 14-292083
 www.weidmueller.com



Reflow soldering profile

The perfect soldering profile for SMT Surface Mount Technology is one the most exiting question in SMT production. But there are more than one correct answer: The diagram of temperature-on-time is related to processing features of solder paste and to maximum load of components.

We have to consider the following parameters:

- Time for pre heating
- Maximum temperature
- Time above melting point
- Time for cooling
- Maximum heating rate
- Maximum cooling rate

We recommend a typical solder profile with associated process limits. With preheating components and board are prepared smoothly for the solder phase. Heating rate is typically $\leq +3\text{K/s}$. In parallel the solder paste is ‚activated‘. The time above melting point of 217°C the paste gets liquid and components and boards begin to connect. The maximum temperature of 245°C to 254°C should stay between 10 and 40 seconds. In the cooling phase at $\geq -6\text{K/s}$ solder is cured. Board and components cool down while avoiding cold cracks.