

IE-PS-M12X-180-P-TH-SC-ST**Weidmüller Interface GmbH & Co. KG**

Klingenbergstraße 26

D-32758 Detmold

Germany

www.weidmueller.com



The 8pole M12 Mini crimp cable connector with X-coding and 90° cable exit is with compact dimensions and 8 cable exit positions predestined for difficult installation conditions. The cable clamp version with the wide cable clamp ranges from 4 up to 9 mm plus the fully shielded housing together with the shielded strain relief is the universal fail-safe solution for all common cables on the market.

General ordering data

Order No.	2662080000
Type	IE-PS-M12X-180-P-TH-SC-ST
GTIN (EAN)	4050118781830
Qty.	1 items

IE-PS-M12X-180-P-TH-SC-ST

Weidmüller Interface GmbH & Co. KG
 Klingenbergstraße 26
 D-32758 Detmold
 Germany

www.weidmueller.com

Technical data

Approvals

ROHS	Conform
------	---------

Dimensions and weights

Diameter	14 mm	Net weight	21 g
----------	-------	------------	------

Temperatures

Storage temperature	Operating temperature	-40 °C...70 °C
Installation temperature		

Environmental Product Compliance

RoHS Compliance Status	Compliant with exemption
RoHS Exemption (if applicable/known)	6c
REACH SVHC	Lead 7439-92-1
SCIP	c50b1fcd-04c8-463f-99b5-8ae8d5ac75a1

Technical data customisable plug-in connectors

Number of poles	8	Coding	X-coded
Contact surface	Gold-plated	LED	No
Type of connection	Crimp connection	Housing main material	Cu alloy Ni plated
Cable diameter, max.	8.3 mm	Cable diameter, min.	7.9 mm
Conductor cross-section, max.	0.34 mm ²	Conductor cross-section, min.	0.14 mm ²
Nominal voltage	50 V	Nominal current	4 A
Protection degree	IP67 plugged	Plugging cycles	≥ 500
Pollution severity	3	Gender of contact	Male
Shield connection	Yes, crimped	Threaded ring material	Nickel-plated CuZn
Connection cross-section, max.	0.34 mm ²	Connection cross-section, min.	0.14 mm ²

General Info

Number of poles	8	Connection 1	M12
Connection 2	Crimp	Housing main material	Cu alloy Ni plated
Connection thread	M12	Contact surface	Gold-plated
Wire connection cross section, finely stranded, min.	0.14 mm ²	Wire connection cross section, finely stranded, max.	0.34 mm ²
Wire cross-section, solid, min.	0.34 mm ²	Wire cross-section, solid, max.	0.32 mm ²
Conductor connection cross-section, flexible	0.14...0.34 mm ²	Protection degree	IP67 plugged
Plugging cycles	≥ 500		

Electrical properties

Nominal voltage	50 V
-----------------	------

General standards

Connector standard	IEC 61076-2-109
--------------------	-----------------

Standards

Connector standard	IEC 61076-2-109
--------------------	-----------------

IE-PS-M12X-180-P-TH-SC-ST

Weidmüller Interface GmbH & Co. KG
Klingenbergstraße 26
D-32758 Detmold
Germany

www.weidmueller.com

Technical data

Classifications

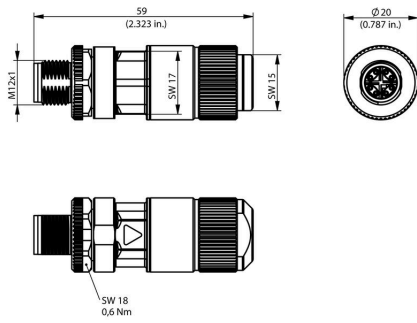
ETIM 8.0	EC002635	ETIM 9.0	EC002635
ETIM 10.0	EC002635	ECLASS 14.0	27-44-01-16
ECLASS 15.0	27-44-01-16		

IE-PS-M12X-180-P-TH-SC-ST

Weidmüller Interface GmbH & Co. KG
Klingenbergstraße 26
D-32758 Detmold
Germany

Drawings

www.weidmueller.com



IE-PS-M12X-180-P-TH-SC-ST

Weidmüller Interface GmbH & Co. KG
 Klingenbergstraße 26
 D-32758 Detmold
 Germany

www.weidmueller.com

Accessories

Screwty® cable gland tool



The ideal tool for any application
 Screwty® is the ideal, all-purpose tool for tightening all common sensor and actuator cables. Even difficult-to-reach round plugs are accessible using the Screwty®. A simple turning movement tightens and loosens the connectors without the need for excessive force. The Screwty® is a unique and global solution since it fits with most cables and plugs from other vendors (over 90 %). The Screwty® consists of a handle with a conventional 1/4" adapter. Thus it can be used for all sizes: for M12 and M8 round plug-in connectors, and for M12F and M8F customisable plugs and sockets, as well as for all M23 plugs and sockets.

General ordering data

Type	SCREWTY SET	Version	
Order No.	1910000000		Cable gland tool for M8, M12 lines and connectors
GTIN (EAN)	4032248436842		
Qty.	1 ST		

Screwty® cable gland tool with torque function



The ideal tool for any application
 Screwty® is the ideal, all-purpose tool for tightening all common sensor and actuator cables. Even difficult-to-reach round plugs are accessible using the Screwty®. A simple turning movement tightens and loosens the connectors without the need for excessive force. The Screwty® is a unique and global solution since it fits with most cables and plugs from other vendors (over 90 %). The Screwty® consists of a handle with a conventional 1/4" adapter. Thus it can be used for all sizes: for M12 and M8 round plug-in connectors, and for M12F and M8F customisable plugs and sockets, as well as for all M23 plugs and sockets.

General ordering data

Type	SCREWTY SET -DM	Version	
Order No.	1920000000		Cable gland tool for M8, M12 lines and connectors
GTIN (EAN)	4032248436859		
Qty.	1 ST		

IE-PS-M12X-180-P-TH-SC-ST

Weidmüller Interface GmbH & Co. KG
 Klingenbergstraße 26
 D-32758 Detmold
 Germany

www.weidmueller.com

Accessories

Screwty® cable gland tool



The ideal tool for any application
 Screwty® is the ideal, all-purpose tool for tightening all common sensor and actuator cables. Even difficult-to-reach round plugs are accessible using the Screwty®. A simple turning movement tightens and loosens the connectors without the need for excessive force. The Screwty® is a unique and global solution since it fits with most cables and plugs from other vendors (over 90 %). The Screwty® consists of a handle with a conventional 1/4" adapter. Thus it can be used for all sizes: for M12 and M8 round plug-in connectors, and for M12F and M8F customisable plugs and sockets, as well as for all M23 plugs and sockets.

General ordering data

Type	SCREWTY- M12 F	Version	
Order No.	1900020000	Cable gland tool for M12 connectors	
GTIN (EAN)	4032248375851		
Qty.	1 ST		

Screwty® cable gland tool with torque function



The ideal tool for any application
 Screwty® is the ideal, all-purpose tool for tightening all common sensor and actuator cables. Even difficult-to-reach round plugs are accessible using the Screwty®. A simple turning movement tightens and loosens the connectors without the need for excessive force. The Screwty® is a unique and global solution since it fits with most cables and plugs from other vendors (over 90 %). The Screwty® consists of a handle with a conventional 1/4" adapter. Thus it can be used for all sizes: for M12 and M8 round plug-in connectors, and for M12F and M8F customisable plugs and sockets, as well as for all M23 plugs and sockets.

General ordering data

Type	SCREWTY-M12 F-DM	Version	
Order No.	1900021000	Cable gland tool for M12 connectors	
GTIN (EAN)	4032248436828		
Qty.	1 ST		