

**IE-PS-M12X-90-P-TH-SC-ST****Weidmüller Interface GmbH & Co. KG**

Klingenbergstraße 26

D-32758 Detmold

Germany

www.weidmueller.com



The 8pole M12 Mini crimp cable connector with X-coding and 90° cable exit is with compact dimensions and 8 cable exit positions predestined for difficult installation conditions. The cable clamp version with the wide cable clamp ranges from 4 up to 9 mm plus the fully shielded housing together with the shielded strain relief is the universal fail-safe solution for all common cables on the market.

**General ordering data**

Order No.	2662110000
Type	<a href="#">IE-PS-M12X-90-P-TH-SC-ST</a>
GTIN (EAN)	4050118781854
Qty.	1 items

## IE-PS-M12X-90-P-TH-SC-ST

**Weidmüller Interface GmbH & Co. KG**  
 Klingenbergstraße 26  
 D-32758 Detmold  
 Germany

www.weidmueller.com

## Technical data

### Approvals

ROHS	Conform
------	---------

### Dimensions and weights

Diameter	14 mm	Net weight	31 g
----------	-------	------------	------

### Temperatures

Storage temperature	Operating temperature	-40 °C...70 °C
Installation temperature		

### Environmental Product Compliance

RoHS Compliance Status	Compliant with exemption
RoHS Exemption (if applicable/known)	6c
REACH SVHC	Lead 7439-92-1
SCIP	c50b1fcd-04c8-463f-99b5-8ae8d5ac75a1

### Technical data customisable plug-in connectors

Number of poles	8	Coding	X-coded
Contact surface	Gold-plated	LED	No
Type of connection	Crimp connection	Housing main material	Cu alloy Ni plated
Cable diameter, max.	9 mm	Cable diameter, min.	4 mm
Conductor cross-section, max.	0.34 mm <sup>2</sup>	Conductor cross-section, min.	0.14 mm <sup>2</sup>
Nominal voltage	30 V	Nominal current	2 A
Protection degree	IP67	Plugging cycles	≥ 500
Pollution severity	3	Gender of contact	Male
Shield connection	Yes, crimped	Threaded ring material	Nickel-plated CuZn
Connection cross-section, max.	0.34 mm <sup>2</sup>	Connection cross-section, min.	0.14 mm <sup>2</sup>

### General Info

Number of poles	8	Connection 1	M12
Connection 2	Crimp	Housing main material	Cu alloy Ni plated
Connection thread	M12	Contact surface	Gold-plated
Wire connection cross section, finely stranded, min.	0.14 mm <sup>2</sup>	Wire connection cross section, finely stranded, max.	0.34 mm <sup>2</sup>
Wire cross-section, solid, min.	0.34 mm <sup>2</sup>	Wire cross-section, solid, max.	0.32 mm <sup>2</sup>
Conductor connection cross-section, flexible	0.14...0.34 mm <sup>2</sup>	Protection degree	IP67
Plugging cycles	≥ 500		

### Electrical properties

Nominal voltage	30 V
-----------------	------

### General standards

Connector standard	IEC 61076-2-109
--------------------	-----------------

### Standards

Connector standard	IEC 61076-2-109
--------------------	-----------------

**IE-PS-M12X-90-P-TH-SC-ST**

**Weidmüller Interface GmbH & Co. KG**  
Klingenbergstraße 26  
D-32758 Detmold  
Germany

[www.weidmueller.com](http://www.weidmueller.com)

**Technical data**

**Classifications**

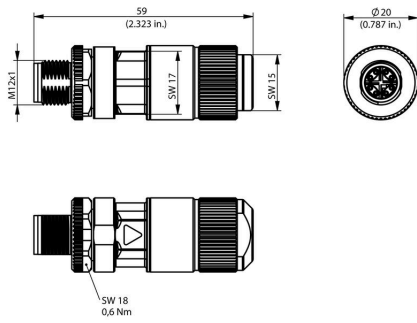
ETIM 8.0	EC002635	ETIM 9.0	EC002635
ETIM 10.0	EC002635	ECLASS 14.0	27-44-01-16
ECLASS 15.0	27-44-01-16		

**IE-PS-M12X-90-P-TH-SC-ST**

**Weidmüller Interface GmbH & Co. KG**  
Klingenbergstraße 26  
D-32758 Detmold  
Germany

**Drawings**

[www.weidmueller.com](http://www.weidmueller.com)



## IE-PS-M12X-90-P-TH-SC-ST

**Weidmüller Interface GmbH & Co. KG**  
 Klingenbergstraße 26  
 D-32758 Detmold  
 Germany

www.weidmueller.com

## Accessories

## Screwty® cable gland tool



The ideal tool for any application  
 Screwty® is the ideal, all-purpose tool for tightening all common sensor and actuator cables. Even difficult-to-reach round plugs are accessible using the Screwty®. A simple turning movement tightens and loosens the connectors without the need for excessive force. The Screwty® is a unique and global solution since it fits with most cables and plugs from other vendors (over 90 %). The Screwty® consists of a handle with a conventional 1/4" adapter. Thus it can be used for all sizes: for M12 and M8 round plug-in connectors, and for M12F and M8F customisable plugs and sockets, as well as for all M23 plugs and sockets.

## General ordering data

Type	SCREWTY SET	Version	
Order No.	<a href="#">1910000000</a>		Cable gland tool for M8, M12 lines and connectors
GTIN (EAN)	4032248436842		
Qty.	1 ST		

## Screwty® cable gland tool with torque function



The ideal tool for any application  
 Screwty® is the ideal, all-purpose tool for tightening all common sensor and actuator cables. Even difficult-to-reach round plugs are accessible using the Screwty®. A simple turning movement tightens and loosens the connectors without the need for excessive force. The Screwty® is a unique and global solution since it fits with most cables and plugs from other vendors (over 90 %). The Screwty® consists of a handle with a conventional 1/4" adapter. Thus it can be used for all sizes: for M12 and M8 round plug-in connectors, and for M12F and M8F customisable plugs and sockets, as well as for all M23 plugs and sockets.

## General ordering data

Type	SCREWTY SET -DM	Version	
Order No.	<a href="#">1920000000</a>		Cable gland tool for M8, M12 lines and connectors
GTIN (EAN)	4032248436859		
Qty.	1 ST		

## IE-PS-M12X-90-P-TH-SC-ST

**Weidmüller Interface GmbH & Co. KG**  
 Klingenbergstraße 26  
 D-32758 Detmold  
 Germany

www.weidmueller.com

## Accessories

## Screwty® cable gland tool



The ideal tool for any application  
 Screwty® is the ideal, all-purpose tool for tightening all common sensor and actuator cables. Even difficult-to-reach round plugs are accessible using the Screwty®. A simple turning movement tightens and loosens the connectors without the need for excessive force. The Screwty® is a unique and global solution since it fits with most cables and plugs from other vendors (over 90 %). The Screwty® consists of a handle with a conventional 1/4" adapter. Thus it can be used for all sizes: for M12 and M8 round plug-in connectors, and for M12F and M8F customisable plugs and sockets, as well as for all M23 plugs and sockets.

## General ordering data

Type	SCREWTY- M12 F	Version	
Order No.	<a href="#">1900020000</a>	Cable gland tool for M12 connectors	
GTIN (EAN)	4032248375851		
Qty.	1 ST		

## Screwty® cable gland tool with torque function



The ideal tool for any application  
 Screwty® is the ideal, all-purpose tool for tightening all common sensor and actuator cables. Even difficult-to-reach round plugs are accessible using the Screwty®. A simple turning movement tightens and loosens the connectors without the need for excessive force. The Screwty® is a unique and global solution since it fits with most cables and plugs from other vendors (over 90 %). The Screwty® consists of a handle with a conventional 1/4" adapter. Thus it can be used for all sizes: for M12 and M8 round plug-in connectors, and for M12F and M8F customisable plugs and sockets, as well as for all M23 plugs and sockets.

## General ordering data

Type	SCREWTY-M12 F-DM	Version	
Order No.	<a href="#">1900021000</a>	Cable gland tool for M12 connectors	
GTIN (EAN)	4032248436828		
Qty.	1 ST		