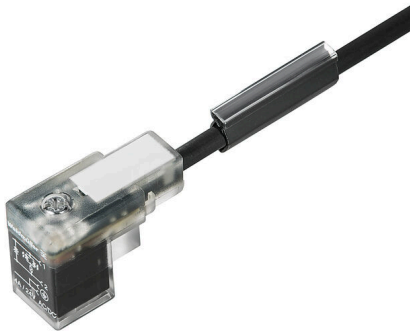


SAIL-VSCD-10U(0.5)**Weidmüller Interface GmbH & Co. KG**

Klingenbergstraße 26

D-32758 Detmold

Germany

www.weidmueller.com

Weidmüller can supply valve plugs as connecting lines with M8/M12 plugs and one end without connector. The status of the valve plug is shown by an LED. The valve plugs have a protective circuit. The Weidmüller range includes valve plugs of type A, B and C to DIN and industry standards. Protection class IP 67 is fulfilled when screwed in. The outlet direction is also a decisive factor, therefore Weidmüller offers different versions.

General ordering data

| | |
|------------|--|
| Version | Valve cable (assembled), One end without connector - valve plug, DIN design C (8 mm), Cable length: 10 m, PUR, black |
| Order No. | 1845201000 |
| Type | SAIL-VSCD-10U(0.5) |
| GTIN (EAN) | 4032248358908 |
| Qty. | 1 items |

SAIL-VSCD-10U(0.5)

Weidmüller Interface GmbH & Co. KG
 Klingenbergstraße 26
 D-32758 Detmold
 Germany

www.weidmueller.com

Technical data

Approvals

Approvals



ROHS Conform

Dimensions and weights

Net weight 273.68 g

Environmental Product Compliance

RoHS Compliance Status Compliant without exemption

REACH SVHC No SVHC above 0.1 wt%

Technical specifications for cable

| | | | |
|-----------------------------|-----------------|-------------------------------|---------------------|
| Cable length | 10 m | Sheathing colour | black |
| Suitable for cable carriers | Yes | Core cross-section | 0.5 mm ² |
| Shielded | No | Halogen | No |
| Sheath material | PUR | Temperature range, stationary | -50...80 °C |
| Temperature range, moving | -25...80 °C | Number of poles | 3 |
| Outside diameter | 4.6 mm ± 0.2 mm | | |

General technical data

| | | | |
|------------------------------|--|---|------------------|
| Coding | DIN design C (8 mm) | Connection thread | Miscellaneous |
| Contact surface | tinned | LED | Yes |
| Version | One end without connector - valve plug | Contact material | CuZn |
| Nominal voltage | 24 V | Nominal current | 4 A |
| Protection degree | IP67, when screwed in | All valve plugs are fitted with protective circuits | Suppressor diode |
| Temperature range of housing | -25...+80 °C | | |

Classifications

| | | | |
|-------------|-------------|-------------|-------------|
| ETIM 8.0 | EC001855 | ETIM 9.0 | EC001855 |
| ETIM 10.0 | EC001855 | ECLASS 14.0 | 27-06-03-12 |
| ECLASS 15.0 | 27-06-03-12 | | |

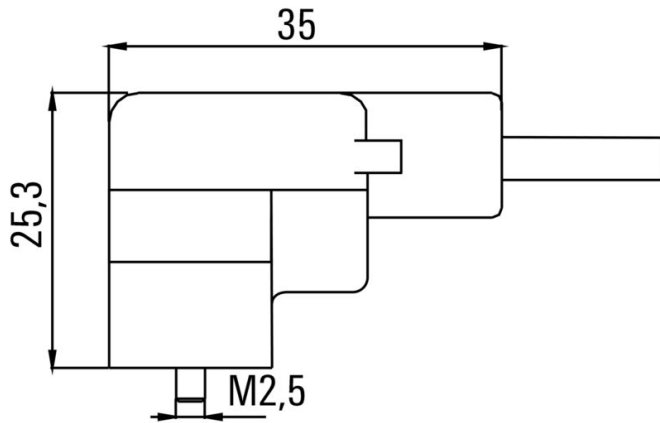
SAIL-VSCD-10U(0.5)

Weidmüller Interface GmbH & Co. KG
 Klingenbergstraße 26
 D-32758 Detmold
 Germany

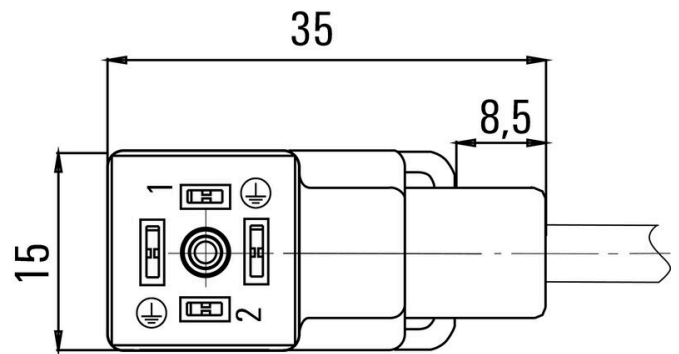
www.weidmueller.com

Drawings

Dimensioned drawing



Pole scheme



Wiring diagram

