

IE-BS-M12X-S-FH

Weidmüller Interface GmbH & Co. KG
Klingenbergstraße 26
D-32758 Detmold
Germany

www.weidmueller.com



M12 X-type Cat 6 A field-assembled connectors and PCB sockets

General ordering data

Version	Plug-in connector, M12, IDC, Cat.6A / Class EA (ISO/IEC 11801 2010), IP67 plugged
Order No.	1516340000
Type	IE-BS-M12X-S-FH
GTIN (EAN)	4050118323795
Qty.	1 items

IE-BS-M12X-S-FH

Weidmüller Interface GmbH & Co. KG

Klingenbergstraße 26

D-32758 Detmold

Germany

www.weidmueller.com

Technical data

Approvals

Approvals



ROHS Conform

UL File Number Search [UL Website](#)

Certificate no. (cULus) E316369

Dimensions and weights

Diameter	16.8 mm	Wall thickness, min.	0.9 mm
Wall thickness, max.	4 mm	Net weight	28 g

Temperatures

Storage temperature	Operating temperature	-40 °C...85 °C
Installation temperature		

Environmental Product Compliance

RoHS Compliance Status	Compliant
REACH SVHC	Lead 7439-92-1
SCIP	67cf1078-beca-4687-860b-dc475a6ec24a

Technical data customisable plug-in connectors

Number of poles	8	Coding	X-coded
Contact surface	Gold-plated	LED	No
Type of connection	Insulation displacement connection	Housing main material	Zinc diecast
Insulation resistance	100 MΩ	Cable diameter, max.	9.7 mm
Cable diameter, min.	5 mm	Category	Cat.6A / Class EA (ISO/IEC 11801 2010)
Contact material	CuZn	Conductor cross-section, max.	0.34 mm ²
Conductor cross-section, min.	0.14 mm ²	Nominal voltage	48 V
Nominal current	0.5 A	Protection degree	IP67 plugged
Plugging cycles	≥ 100	Pollution severity	2
Shield connection	Yes, screwed	Threaded ring material	Zinc diecast, tin plated

General Info

Number of poles	8	Connection 1	M12
Connection 2	IDC	UL 94 flammability rating	V-0
Housing main material	Zinc diecast	Insulation cross-section, max.	1.6 mm
Category	Cat.6A / Class EA (ISO/IEC 11801 2010)	Connection thread	M12
Contact material	CuZn	Contact surface	Gold-plated
Wire connection diameter, solid, min.	0.4 mm	Connection diameter, solid	0.4...0.64 mm
Wire connection diameter, solid, max.	0.64 mm	Conductor connection cross-section, solid (AWG)	AWG 24...AWG 22
Wire cross-section, solid, min. (AWG)	AWG 24	Connection diameter, flexible	0.48...0.76 mm
Wire cross-section, solid, max. (AWG)	AWG 22	Conductor connection cross-section, flexible (AWG)	AWG 26...AWG 22
Wire connection diameter, flexible, min.	0.48 mm	Wire connection diameter, flexible, max.	0.76 mm

IE-BS-M12X-S-FH

Weidmüller Interface GmbH & Co. KG
 Klingenbergstraße 26
 D-32758 Detmold
 Germany

www.weidmueller.com

Technical data

Wire connection cross section, finely stranded, max.	0.32 mm ²	Wire cross-section, solid, min.	0.34 mm ²
Wire cross-section, solid, max.	0.32 mm ²	Conductor connection cross-section, flexible	...0.32 mm ²
Wire cross-section, finely stranded, min. (AWG)	AWG 26	Wire cross-section, finely stranded, max. (AWG)	AWG 22
Sheath diameter, min.	5 mm	Sheath diameter, max.	9.7 mm
Contact holder materials	PA	Shielding	360° all-round enclosure
Protection degree	IP67 plugged	Plugging cycles	≥ 100

Electrical properties

Insulation resistance	100 MΩ	Nominal voltage	48 V
PoE / PoE+	conforming to IEEE 802.3at		

General standards

Connector standard	IEC 61076-2-109	Certificate no. (cULus)	E316369
--------------------	-----------------	-------------------------	---------

Standards

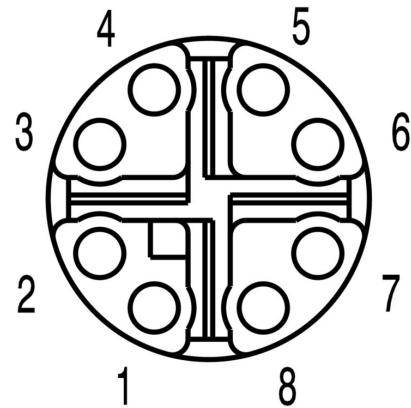
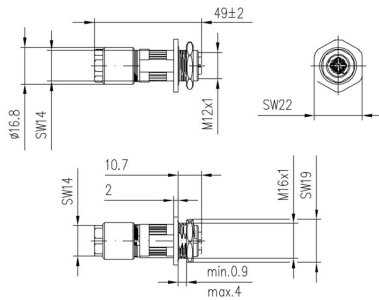
Connector standard	IEC 61076-2-109
--------------------	-----------------

Classifications

ETIM 8.0	EC002635	ETIM 9.0	EC002635
ETIM 10.0	EC002635	ECLASS 14.0	27-44-01-16
ECLASS 15.0	27-44-01-16		

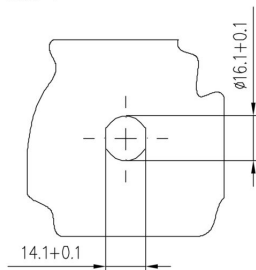
Dimensioned drawing

Pole scheme



Installation cut-out

t= min. 0.9 / max. 4



IE-BS-M12X-S-FH

Weidmüller Interface GmbH & Co. KG

Klingenbergstraße 26
D-32758 Detmold
Germany

www.weidmueller.com

Accessories

Screwty® cable gland tool



The ideal tool for any application

Screwty® is the ideal, all-purpose tool for tightening all common sensor and actuator cables. Even difficult-to-reach round plugs are accessible using the Screwty®. A simple turning movement tightens and loosens the connectors without the need for excessive force. The Screwty® is a unique and global solution since it fits with most cables and plugs from other vendors (over 90 %). The Screwty® consists of a handle with a conventional 1/4" adapter. Thus it can be used for all sizes: for M12 and M8 round plug-in connectors, and for M12F and M8F customisable plugs and sockets, as well as for all M23 plugs and sockets.

General ordering data

Type	SCREWTY SET	Version	
Order No.	1910000000		Cable gland tool for M8, M12 lines and connectors
GTIN (EAN)	4032248436842		
Qty.	1 ST		

Screwty® cable gland tool with torque function



The ideal tool for any application

Screwty® is the ideal, all-purpose tool for tightening all common sensor and actuator cables. Even difficult-to-reach round plugs are accessible using the Screwty®. A simple turning movement tightens and loosens the connectors without the need for excessive force. The Screwty® is a unique and global solution since it fits with most cables and plugs from other vendors (over 90 %). The Screwty® consists of a handle with a conventional 1/4" adapter. Thus it can be used for all sizes: for M12 and M8 round plug-in connectors, and for M12F and M8F customisable plugs and sockets, as well as for all M23 plugs and sockets.

General ordering data

Type	SCREWTY SET -DM	Version	
Order No.	1920000000		Cable gland tool for M8, M12 lines and connectors
GTIN (EAN)	4032248436859		
Qty.	1 ST		

IE-BS-M12X-S-FH

Weidmüller Interface GmbH & Co. KG
 Klingenbergstraße 26
 D-32758 Detmold
 Germany

www.weidmueller.com

Accessories

Screwty® cable gland tool



The ideal tool for any application
 Screwty® is the ideal, all-purpose tool for tightening all common sensor and actuator cables. Even difficult-to-reach round plugs are accessible using the Screwty®. A simple turning movement tightens and loosens the connectors without the need for excessive force. The Screwty® is a unique and global solution since it fits with most cables and plugs from other vendors (over 90 %). The Screwty® consists of a handle with a conventional 1/4" adapter. Thus it can be used for all sizes: for M12 and M8 round plug-in connectors, and for M12F and M8F customisable plugs and sockets, as well as for all M23 plugs and sockets.

General ordering data

Type	SCREWTY- M12 F	Version	
Order No.	1900020000		Cable gland tool for M12 connectors
GTIN (EAN)	4032248375851		
Qty.	1 ST		

Screwty® cable gland tool with torque function



The ideal tool for any application
 Screwty® is the ideal, all-purpose tool for tightening all common sensor and actuator cables. Even difficult-to-reach round plugs are accessible using the Screwty®. A simple turning movement tightens and loosens the connectors without the need for excessive force. The Screwty® is a unique and global solution since it fits with most cables and plugs from other vendors (over 90 %). The Screwty® consists of a handle with a conventional 1/4" adapter. Thus it can be used for all sizes: for M12 and M8 round plug-in connectors, and for M12F and M8F customisable plugs and sockets, as well as for all M23 plugs and sockets.

General ordering data

Type	SCREWTY-M12 F-DM	Version	
Order No.	1900021000		Cable gland tool for M12 connectors
GTIN (EAN)	4032248436828		
Qty.	1 ST		