

RIM 3 110/230VAC LED

Weidmüller Interface GmbH & Co. KG
Klingenbergstraße 26
D-32758 Detmold
Germany

www.weidmueller.com

Product image

Pluggable protective modules for the D-SERIES relay sockets, with optional protective functions.

- With free-wheeling diode or RC filter

General ordering data

Version	D-SERIES, RC filter, Rated control voltage: 110... 230 V AC, Plug-in connection
Order No.	7760056045
Type	RIM 3 110/230VAC LED
GTIN (EAN)	4032248878147
Qty.	10 items

RIM 3 110/230VAC LED

Weidmüller Interface GmbH & Co. KG
Klingenbergstraße 26
D-32758 Detmold
Germany

www.weidmueller.com

Technical data

Approvals

Approvals



ROHS Conform

UL File Number Search [UL Website](#)

Certificate No. (cURus) E312083

Dimensions and weights

Depth	32 mm	Depth (inches)	1.2598 inch
Height	12.5 mm	Height (inches)	0.4921 inch
Width	15.5 mm	Width (inches)	0.6102 inch
Net weight	3.28 g		

Temperatures

Storage temperature Operating temperature

Environmental Product Compliance

RoHS Compliance Status Compliant without exemption
REACH SVHC No SVHC above 0.1 wt%

Rated data UL

Certificate No. (cURus) E312083

Control side

Rated control voltage 110...230 V AC Status indicator Green LED
Protective circuit RC element RC filter 100 Ω / 220 nF

General data

Colour black
UL94 flammability rating component Component Housing
UL94 flammability rating V-2

Further details of approvals / standards

Certificate No. (CSA) 80107692 Certificate No. (cURus) E312083

Connection data

Wire connection method Plug-in connection

Classifications

ETIM 8.0 EC002586 ETIM 9.0 EC002586
ETIM 10.0 EC002586 ECLASS 14.0 27-37-16-92
ECLASS 15.0 27-37-16-92

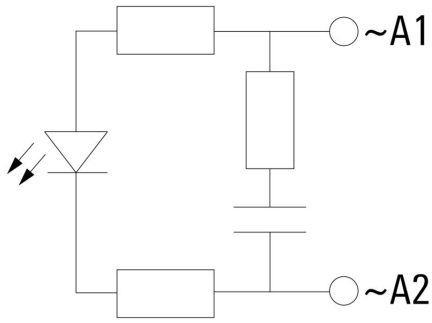
RIM 3 110/230VAC LED

Weidmüller Interface GmbH & Co. KG
Klingenbergstraße 26
D-32758 Detmold
Germany

www.weidmueller.com

Drawings

Wiring diagram



Dimensional drawing

