

## RJ45C5E R1D 3.2N4G/Y TY

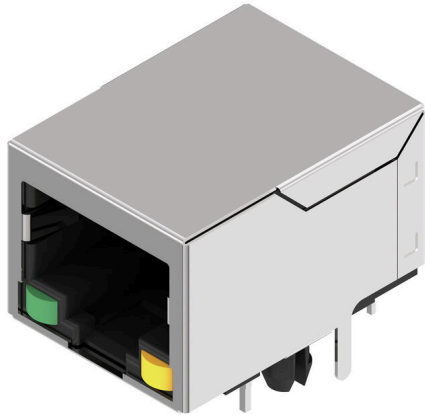
Weidmüller Interface GmbH & Co. KG

Klingenbergstraße 26

D-32758 Detmold

Germany

www.weidmueller.com



The product range encompasses the following designs:

- 90°, lying (horizontal) and 180°, standing (vertical)
- latch up / latch down
- THT, THR or SMD soldering processes
- Wide range of different design types, also with integrated LEDs and shield contact tabs
- Performance category Cat. 3 to Cat. 6
- Packed either in a tray (TY) or on a roll (tape-on-reel, RL)
- Compatible with modular RJ45 connector according to ANSI / TIA-1096-A and IEC 60603
- Dielectric strength  $\geq 1500$  V AC RMS (2250 V AC peak value) according to IEEE 802.3
- Dielectric strength  $\geq 1500$  V AC (peak value) or  $\geq 1500$  V DC according to IEC 60603

Properties and advantages:

- Extended temperature range of  $-40^{\circ}\text{C}$  to  $+85^{\circ}\text{C}$  for maximum performance
- Reinforced gold layer ( $30\mu\text{m}$ ) for improved corrosion protection
- At least 0.3mm stand-off ensures a perfect soldering result

### General ordering data

Version	OMNIMATE Data - RJ45 modular jack, PCB plug-in connector, Cat. 5e, THT/THR solder connection, 90°, bottom, none, Yes, Plugging cycles: 750, Number of poles: 8, PA 9T, Tray (manual assembly)
Order No.	<a href="#">2613200000</a>
Type	RJ45C5E R1D 3.2N4G/Y TY
GTIN (EAN)	4050118623802
Qty.	600 items
Packaging	Tray (manual assembly)

## RJ45C5E R1D 3.2N4G/Y TY

Weidmüller Interface GmbH & Co. KG  
Klingenbergstraße 26  
D-32758 Detmold  
Germany

www.weidmueller.com

## Technical data

## Approvals

Approvals



ROHS	Conform
UL File Number Search	<a href="#">UL Website</a>
Certificate No. (UR)	E316369
Certificate No. (cURus)	E316369

## Dimensions and weights

Depth	21.27 mm	Depth (inches)	0.8374 inch
Height	13.45 mm	Height (inches)	0.5295 inch
Height of lowest version	13.45 mm	Width	15.88 mm
Width (inches)	0.6252 inch	Net weight	1.61 g

## Environmental Product Compliance

RoHS Compliance Status	Compliant without exemption
REACH SVHC	No SVHC above 0.1 wt%

## System specifications

Number of poles	8	LED	Yes
Solder pin length (l)	3.2 mm	Mounting onto the PCB	THT/THR solder connection
Pitch in inches (P)	0.050 "	Shielding material	Brass
Shielding	Yes	Side termination, characteristic	Solder flange
Solder eyelet hole diameter tolerance (D)	± 0.1 mm	Number of solder pins per pole	1
Type of connection	Solder connection	Category	Cat. 5e
Product family	OMNIMATE Data - RJ45 modular jack	Pitch in mm (P)	1.27 mm
Protection degree	IP20	Plugging cycles	750
Outgoing elbow	90°	Forward current	20 mA
Forward voltage, max.	2.6 V	Shield surface	nickel-plated
Shield tabs	none	Performance-Category	Cat. 5e
Soldering process	Reflow soldering, Manual soldering, Wave soldering	Latch option	bottom
Solder pin dimensions	Octagonal	Tolerance of solder pin position	± 0.1 mm
Forward voltage, min.	1.8 V		

## Electrical properties

Dielectric strength, contact / shield	1500 V DC	Dielectric strength, contact / contact	1000 V DC
Volume resistance	<25 mΩ	Insulation resistance	≥ 500 MΩ
Nominal voltage	125 V	PoE / PoE+	conforming to IEEE 802.3at

## Material data

Insulating material	PA 9T	Colour	black
Colour chart (similar)	RAL 9011	Insulating material group	II
Comparative Tracking Index (CTI)	≥ 500	Insulation resistance	≥ 500 MΩ
Moisture Level (MSL)	1	UL 94 flammability rating	V-0

**RJ45C5E R1D 3.2N4G/Y TY**

**Weidmüller Interface GmbH & Co. KG**  
Klingenbergstraße 26  
D-32758 Detmold  
Germany

[www.weidmueller.com](http://www.weidmueller.com)

**Technical data**

Contact base material	Phosphorus bronze	Contact material	Cu-alloy
Contact surface	Gold over nickel	Storage temperature, min.	-40 °C
Storage temperature, max.	85 °C	Operating temperature, min.	-40 °C
Operating temperature, max.	85 °C		

**Packing**

Packaging	Tray (manual assembly)	VPE length	406.00 mm
VPE width	313.00 mm	VPE height	149.00 mm

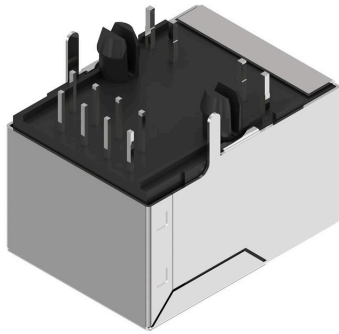
**Important note**

Notes

**Classifications**

ETIM 8.0	EC002637	ETIM 9.0	EC002637
ETIM 10.0	EC002637	ECLASS 14.0	27-46-02-01
ECLASS 15.0	27-46-02-01		

**Drawings**



**Product benefits**

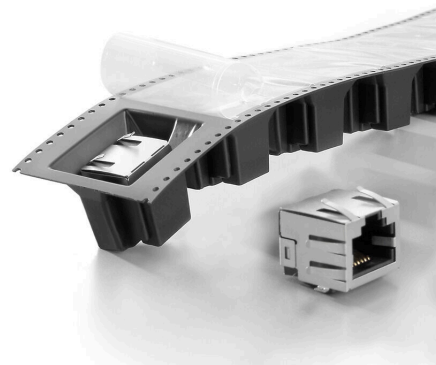


**Product benefits**



Suitable for all soldering processes SMT, THT or THR

**Product benefits**

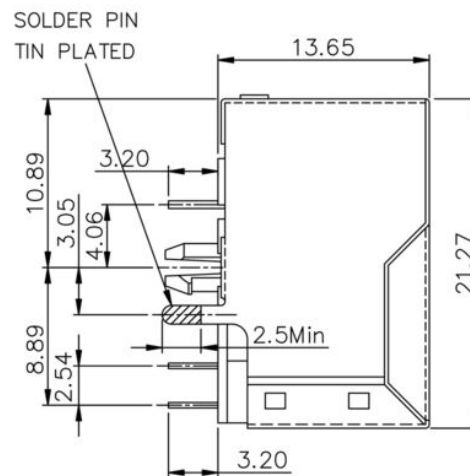
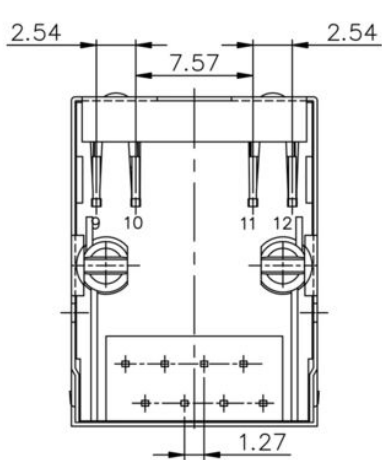
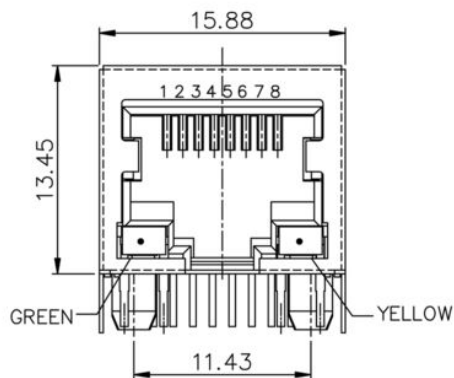
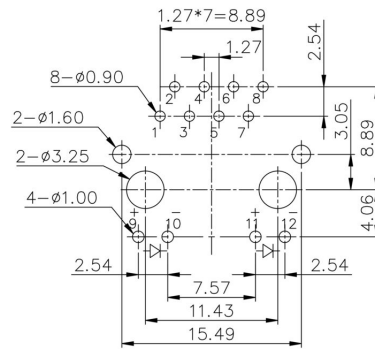


RJ45C5E R1D 3.2N4G/Y TY

Weidmüller Interface GmbH & Co. KG  
 Klingenbergstraße 26  
 D-32758 Detmold  
 Germany

Drawings

www.weidmueller.com



RJ45C5E R1D 3.2N4G/Y TY

**Weidmüller Interface GmbH & Co. KG**  
 Klingenbergstraße 26  
 D-32758 Detmold  
 Germany

Drawings

www.weidmueller.com

Code	Value	Description
RJ45	G1	RJ45G1 R1U 3.2E4G/Y TY
R	1	
U	3.2	
E	4	
G Y / G Y	TY	
<b>Packaging</b>	<b>TY</b> <b>RL</b>	Tray in box (manual assembly) Tape on <b>Reel</b> (automated assembly)
<b>LED</b>	<b>Y/G</b> <b>G/Y</b> <b>GY/GY</b> <b>O/G</b> <b>R/O</b> ... <b>N</b>	Yellow/Green Green/Yellow (standard) Green-Yellow/Green-Yellow Orange/Green Red/Orange ... (further combinations possible) without LED
<b>Contact surface thickness</b>	<b>4</b>	1 = 3µ", 2 = 6µ", 3 = 15µ", 4 = 30µ", 5 = 50µ"
<b>EMI tabs (ground fingers)</b>	<b>E</b> <b>N</b>	<b>E</b> = with EMI tabs <b>N</b> = without EMI tabs
<b>Solder Pin length</b>	<b>3.2</b> <b>1.6</b> <b>D</b>	3.2 mm 1.6 mm SMD
<b>Direction, latch style</b>	<b>U</b> <b>D</b> <b>V</b> <b>Y</b>	Horizontal (90°, side entry), latch <b>up</b> Horizontal (90°, side entry), latch <b>down</b> Vertical (180°, top entry) Diagonal (45°), latch <b>up</b>
<b>Number of Ports</b>	<b>1</b> <b>12; 14; ...</b> <b>21; 41; ...</b>	1 Port multi ports side by side, Multiport multi ports about each other, Multilevel
<b>Assembly on PCB</b>	<b>R</b> <b>S</b> <b>T</b>	Through Hole <b>Reflow</b> - <b>THR</b> Soldering process: Wave or Reflow soldering <b>Surface Mount Technology</b> - <b>SMT</b> Soldering process: Reflow soldering Through Hole Technology - <b>THT</b> Soldering process: Wave
<b>Performance Category</b>	<b>C5</b> <b>C6</b> <b>C6A</b> <b>C5e</b> <b>M</b> <b>G1</b> <b>G10</b> <b>U</b> <b>MP</b> <b>MP+</b>	Category <b>5</b> Category <b>6</b> Category <b>6A</b> Category <b>5e</b> 10/100 Mbit 10/100/1000 Mbit 10 Gbit Unshielded 10/100 Mbit with POE 10/100 Mbit with POE+

Legend

## RJ45C5E R1D 3.2N4G/Y TY

**Weidmüller Interface GmbH & Co. KG**  
 Klingenbergstraße 26  
 D-32758 Detmold  
 Germany

www.weidmueller.com

## Counterpart

### RJ45 crimp

RJ45 crimp plug-in connector according to IEC 60603-7-51 for wire outer diameters up to 1.05 mm

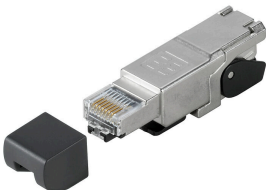


### General ordering data

Type	IE-P	Version
Order No.	<a href="#">8813100000</a>	RJ45 plug-in connector, without kink protection; 5.5 - 7.1 mm,
GTIN (EAN)	4032248512850	Cat.6A / Class EA (ISO/IEC 11801 2010), IP20
Qty.	100 ST	
Type	IE-P63	Version
Order No.	<a href="#">8813110000</a>	RJ45 plug-in connector, with kink protection; 5.5 - 6.2 mm, Cat.6A /
GTIN (EAN)	4032248512867	Class EA (ISO/IEC 11801 2010), IP20
Qty.	10 ST	
Type	IE-P70	Version
Order No.	<a href="#">8813120000</a>	RJ45 plug-in connector, with kink protection; 6.2 - 7.1 mm, Cat.6A /
GTIN (EAN)	4032248512874	Class EA (ISO/IEC 11801 2010), IP20
Qty.	10 ST	
Type	IE-PM-RJ45-TH	Version
Order No.	<a href="#">1963580000</a>	RJ45 crimp plug, Plug without bending protection sleeve, Cat.6A /
GTIN (EAN)	4032248645688	Class EA (ISO/IEC 11801 2010)
Qty.	100 ST	
Type	IE-PS-RJ45-TH-BK	Version
Order No.	<a href="#">1963590000</a>	RJ45 crimp plug, Plug with bending protection sleeve in black,
GTIN (EAN)	4032248645695	Cat.6A / Class EA (ISO/IEC 11801 2010)
Qty.	10 ST	
Type	IE-PS-RJ45-TH-BK-P	Version
Order No.	<a href="#">2584980000</a>	RJ45 crimp plug, with kink protection; 6.5 - 7.5 mm, Cat.5 (ISO/IEC
GTIN (EAN)	4050118593556	11801)
Qty.	10 ST	

### straight

RJ45 plug-in connector (no tools required) according to IEC 60603-7-51.



## RJ45C5E R1D 3.2N4G/Y TY

**Weidmüller Interface GmbH & Co. KG**  
 Klingenbergstraße 26  
 D-32758 Detmold  
 Germany

www.weidmueller.com

## Counterpart

### General ordering data

Type	IE-PS-RJ45-FH-180-A-1.1	Version
Order No.	<a href="#">1992850000</a>	RJ45 plug with piercing contacts, straight, Cat.6A / Class EA (ISO/
GTIN (EAN)	4050118378115	IEC 11801 2010), EIA/TIA T568 A
Qty.	1 ST	
Type	IE-PS-RJ45-FH-180-A-1.6	Version
Order No.	<a href="#">1992820000</a>	RJ45 plug with piercing contacts, straight, Cat.6A / Class EA (ISO/
GTIN (EAN)	4050118377897	IEC 11801 2010), EIA/TIA T568 A
Qty.	1 ST	
Type	IE-PS-RJ45-FH-180-B-1.1	Version
Order No.	<a href="#">1992860000</a>	RJ45 plug with piercing contacts, straight, Cat.6A / Class EA (ISO/
GTIN (EAN)	4050118378108	IEC 11801 2010), EIA/TIA T568 B
Qty.	1 ST	
Type	IE-PS-RJ45-FH-180-B-1.6	Version
Order No.	<a href="#">1992830000</a>	RJ45 plug with piercing contacts, straight, Cat.6A / Class EA (ISO/
GTIN (EAN)	4050118377972	IEC 11801 2010), EIA/TIA T568 B
Qty.	1 ST	
Type	IE-PS-RJ45-FH-180-P-1.6	Version
Order No.	<a href="#">1992840000</a>	RJ45 plug with piercing contacts, straight, Cat.5 (ISO/IEC 11801),
GTIN (EAN)	4050118378023	PROFINET
Qty.	1 ST	

### angled with cable gland

RJ45 plug-in connector (no tools required) according to IEC 60603-7-51.



### General ordering data

Type	IE-PS-RJ45-FH-90-A-1.1	Version
Order No.	<a href="#">1518080000</a>	RJ45 plug with piercing contacts, angled, 4x90°, Cat.6A / Class EA
GTIN (EAN)	4050118324969	(ISO/IEC 11801 2010), EIA/TIA T568 A
Qty.	1 ST	
Type	IE-PS-RJ45-FH-90-A-1.6	Version
Order No.	<a href="#">1992870000</a>	RJ45 plug with piercing contacts, angled, 4x90°, Cat.6A / Class EA
GTIN (EAN)	4050118378054	(ISO/IEC 11801 2010), EIA/TIA T568 A
Qty.	1 ST	
Type	IE-PS-RJ45-FH-90-B-1.1	Version
Order No.	<a href="#">1518090000</a>	RJ45 plug with piercing contacts, angled, 4x90°, Cat.6A / Class EA
GTIN (EAN)	4050118325300	(ISO/IEC 11801 2010), EIA/TIA T568 B
Qty.	1 ST	
Type	IE-PS-RJ45-FH-90-B-1.6	Version
Order No.	<a href="#">1992890000</a>	RJ45 plug with piercing contacts, angled, 4x90°, Cat.6A / Class EA
GTIN (EAN)	4050118378122	(ISO/IEC 11801 2010), EIA/TIA T568 B
Qty.	1 ST	

## RJ45C5E R1D 3.2N4G/Y TY

**Weidmüller Interface GmbH & Co. KG**  
 Klingenbergstraße 26  
 D-32758 Detmold  
 Germany

[www.weidmueller.com](http://www.weidmueller.com)

## Counterpart

Type	IE-PS-RJ45-FH-90-P-1.6	Version
Order No.	<a href="#">1518100000</a>	RJ45 plug with piercing contacts, angled, 4x90°, Cat.5 (ISO/IEC 11801), PROFINET
GTIN (EAN)	4050118325232	
Qty.	1 ST	

## RJ45 tool-free



RJ45 plug-in connector (tool-less) according to IEC 60603-7-51 for wire outer diameters up to 1.6 mm

## General ordering data

Type	IE-PS-RJ45-FH-BK	Version
Order No.	<a href="#">1963600000</a>	RJ45 IDC plug, Cat.6A / Class EA (ISO/IEC 11801 2010), 8-core, 4-core, EIA/TIA T568 A, EIA/TIA T568 B, PROFINET
GTIN (EAN)	4032248645725	
Qty.	10 ST	
Type	IE-PS-RJ45-FH-BK-A	Version
Order No.	<a href="#">1132040000</a>	RJ45 IDC plug, Cat.6A / Class EA (ISO/IEC 11801 2010), 8-core, EIA/TIA T568 A
GTIN (EAN)	4032248912155	
Qty.	10 ST	
Type	IE-PS-RJ45-FH-BK-B	Version
Order No.	<a href="#">1132050000</a>	RJ45 IDC plug, Cat.6A / Class EA (ISO/IEC 11801 2010), 8-core, EIA/TIA T568 B
GTIN (EAN)	4032248912148	
Qty.	10 ST	
Type	IE-PS-RJ45-FH-BK-P	Version
Order No.	<a href="#">1132060000</a>	RJ45 IDC plug, Cat.5 (ISO/IEC 11801), 4-core, PROFINET
GTIN (EAN)	4032248912162	
Qty.	10 ST	