

**CH20M6 C BK 1819**

**Weidmüller Interface GmbH & Co. KG**  
Klingenbergstraße 26  
D-32758 Detmold  
Germany

[www.weidmueller.com](http://www.weidmueller.com)

**Product image**

The Flip cover of the CH20M housing offers practical functions that support your application. It can be sealed, which ensures additional security and protection for your contents. You also have the option of printing on the cover using pad printing to clearly display important information or logos.

In addition, markers can be used to apply specific instructions or markings directly on the cover.

**General ordering data**

Version	Modular housing, OMNIMATE Housing - series CH20M black, Transparent, Flip cover, Width: 6.1 mm
Order No.	<a href="#">2418620000</a>
Type	CH20M6 C BK 1819
GTIN (EAN)	4032248899142
Qty.	50 items

## CH20M6 C BK 1819

**Weidmüller Interface GmbH & Co. KG**  
 Klingenbergstraße 26  
 D-32758 Detmold  
 Germany

www.weidmueller.com

## Technical data

### Approvals

ROHS	Conform
------	---------

### Dimensions and weights

Depth	6.8 mm	Depth (inches)	0.2677 inch
Height	69.8 mm	Height (inches)	2.748 inch
Width	6.1 mm	Width (inches)	0.2402 inch
Net weight	0.65 g		

### Environmental Product Compliance

RoHS Compliance Status	Compliant without exemption
REACH SVHC	No SVHC above 0.1 wt%

### Material data

UL 94 flammability rating	V-2	Insulating material	PC
Insulating material group	IIIa	Surface finish	untreated
Basic material	Plastic	Comparative Tracking Index (CTI)	175 ≤ CTI <400

### General data

Colour	black, Transparent	Protection degree	IP20 in installed state
Colour chart (similar)	RAL 9011, -	Encapsulation option	No

### Component properties

Safety lock	sealable	Marker integrateable	Yes
-------------	----------	----------------------	-----

### Individualization options

Customer specific cutouts possible	No	Customer specific labelling possible	Yes
Customer specific order process	See guideline under downloads	Alternative colours	More on request

### Classifications

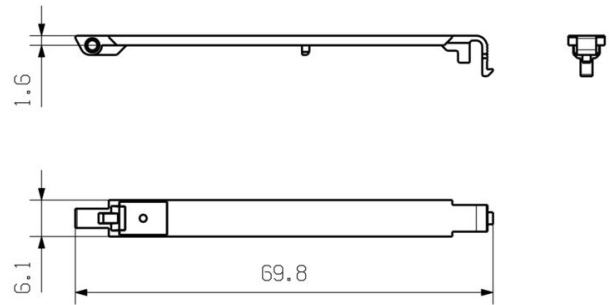
ETIM 8.0	EC001031	ETIM 9.0	EC001031
ETIM 10.0	EC001031	ECLASS 14.0	27-19-06-03
ECLASS 15.0	27-19-06-03		

**Drawings**

**Product image**



**Dimensioned drawing**



## CH20M6 C BK 1819

Weidmüller Interface GmbH &amp; Co. KG

Klingenbergstraße 26

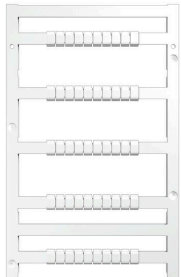
D-32758 Detmold

Germany

www.weidmueller.com

## Accessories

## Blank



MultiFit is the Weidmüller marker system used for other makes of terminals. Similar to the Weidmüller Dekafix, the markers of the MultiFit family are available ready-for-use with standard printing.

We recommend to carry out a test with sample markers on the terminals used when using MultiFit for the first time.

- One marker, suitable for different makes of terminals.
- Ready-to-use markers with standard printing
- Blank markers for printing with the PrintJet CONNECT or Plotter
- Delivery of individually printed markers according to customer CAE data or specifications
- One marking system for all applications

For custom printing: Please send us a file of our labeling software M-Print PRO or M-Print PRO Online (without installation) for your labeling specifications.

## General ordering data

Type	MF 5/7.5 MC NE WS	Version
Order No.	<a href="#">1877680000</a>	MultiFit, Terminal marker, 5 x 7.5 mm, Pitch in mm (P): 7.50 Adels
GTIN (EAN)	4032248468270	RKW, Phoenix, white
Qty.	320 ST	

## Custom printing



MultiFit is the Weidmüller marker system used for other makes of terminals. Similar to the Weidmüller Dekafix, the markers of the MultiFit family are available ready-for-use with standard printing.

We recommend to carry out a test with sample markers on the terminals used when using MultiFit for the first time.

- One marker, suitable for different makes of terminals.
- Ready-to-use markers with standard printing
- Blank markers for printing with the PrintJet CONNECT or Plotter
- Delivery of individually printed markers according to customer CAE data or specifications
- One marking system for all applications

For custom printing: Please send us a file of our labeling software M-Print PRO or M-Print PRO Online (without installation) for your labeling specifications.

## General ordering data

Type	MF 5/7.5 MC SDR	Version
Order No.	<a href="#">1877660000</a>	MultiFit, Terminal marker, 5 x 7.5 mm, Pitch in mm (P): 7.50 Adels
GTIN (EAN)	4032248468256	RKW, Phoenix, To customer specification
Qty.	64 ST	