

IE-FCI-PWB-2USB-A-5V**Weidmüller Interface GmbH & Co. KG**

Klingenbergstraße 26

D-32758 Detmold

Germany

www.weidmueller.com



FrontCom® Vario integrates multiple functions in only one single frame. The system is easy to install and you can select from a wide range of data, signal and power modules. In addition to being extremely compact, Front-Com® Vario offers a number of unique product features that will make your project planning and work activities secure, fast and future-proof. Furthermore, the Front-Com® Vario system has an attractive housing design that, by the way, offers highest impact-resistance and fully meets the requirements of IP 65 protection class.

General ordering data

| | |
|------------|---|
| Version | FrontCom, Insert Power large, USB charger |
| Order No. | 2505070000 |
| Type | IE-FCI-PWB-2USB-A-5V |
| GTIN (EAN) | 4050118519167 |
| Qty. | 1 items |

IE-FCI-PWB-2USB-A-5V

Weidmüller Interface GmbH & Co. KG
Klingenbergstraße 26
D-32758 Detmold
Germany

www.weidmueller.com

Technical data

Electrical properties

| | |
|----------------------|-----|
| Degree of efficiency | 80% |
|----------------------|-----|

Classifications

| | | | |
|-------------|-------------|-------------|-------------|
| ETIM 8.0 | EC001121 | ETIM 9.0 | EC001121 |
| ETIM 10.0 | EC001121 | ECLASS 14.0 | 27-18-28-92 |
| ECLASS 15.0 | 27-18-28-92 | | |

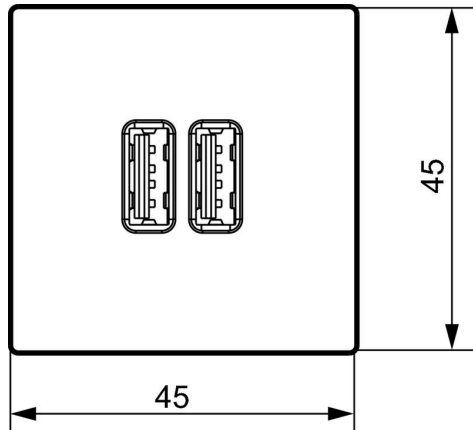
IE-FCI-PWB-2USB-A-5V

Weidmüller Interface GmbH & Co. KG
Klingenbergstraße 26
D-32758 Detmold
Germany

www.weidmueller.com

Drawings

Dimensioned drawing



Dimensioned drawing

