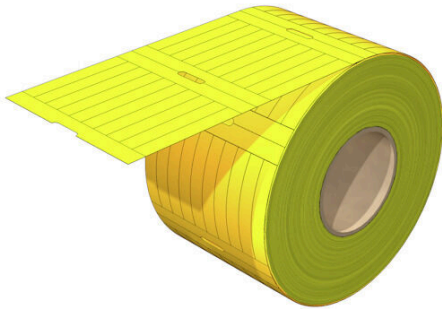


ELS 7/40 MM GE**Weidmüller Interface GmbH & Co. KG**Klingenbergstraße 26
D-32758 Detmold
Germany

www.weidmueller.com

**ELS**

ELS tags are special and non-adhesive insertable labels for WKM cable markers or for group tag carriers. The matt, thin but tear-resistant polyester provides very good labelling and excellent readability. Used in combination with water-repellent WKM sleeves, the solution guarantees particularly long-lasting identification of cables even in harsh environments.

General ordering data

Version	ELS, Insert markers, 40 x 6.3 mm, yellow
Order No.	2519160000
Type	ELS 7/40 MM GE
GTIN (EAN)	4050118531329
Qty.	3000 items

Technical data

Approvals

ROHS	Conform
------	---------

Dimensions and weights

Depth	0.14 mm	Depth (inches)	0.0055 inch
Height	40 mm	Height (inches)	1.5748 inch
Width	6.3 mm	Width (inches)	0.248 inch
Net weight	0.06 g		

Temperatures

Operating temperature range	-40...150 °C
-----------------------------	--------------

Environmental Product Compliance

RoHS Compliance Status	Compliant without exemption
REACH SVHC	No SVHC above 0.1 wt%

General data

Type of printing	neutral	Version	halogen-free
Width	6.3 mm	UL 94 flammability rating	HB
Operating temperature range, max.	150 °C	Operating temperature range, min.	-40 °C
Colour	yellow	Halogen	No
Basic material	Polyester	Printed characters	without
compatible printer	THM MULTIMARK , THM MULTIMARK PLUS	Operating temperature range	-40...150 °C
Number per roll	3000		

Conductor and cable markers

Halogen	No
---------	----

Classifications

ETIM 8.0	EC001530	ETIM 9.0	EC001530
ETIM 10.0	EC001530	ECLASS 14.0	27-28-11-02
ECLASS 15.0	27-28-11-02		

Drawings



ELS 7/40 MM GE

Weidmüller Interface GmbH & Co. KG
Klingenbergstraße 26
D-32758 Detmold
Germany

www.weidmueller.com

Accessories

Ink ribbons



These printers produce excellent printing results thanks to the thermal transfer technique. Different materials and the user-friendly printing system under Windows optimise marking efforts.

General ordering data

Type	RIBBON MM 110/360 SW	Version	
Order No.	2005070000	Ink ribbon	
GTIN (EAN)	4050118390049		
Qty.	1 ST		

THM MULTIMARK



These printers produce excellent printing results thanks to the thermal transfer technique. Different materials and the user-friendly printing system under Windows optimise marking efforts.

General ordering data

Type	MULTIMARK ROLLER 115	Version	
Order No.	1357420000		
GTIN (EAN)	4050118160314		
Qty.	1 ST		

THM MULTIMARK PLUS



These printers produce excellent printing results thanks to the thermal transfer technique. Different materials and the user-friendly printing system under Windows optimise marking efforts.

General ordering data

Type	MULTIMARK PLUS ROLLER 1...	Version	
Order No.	2672590000		
GTIN (EAN)	4050118708097		
Qty.	1 ST		