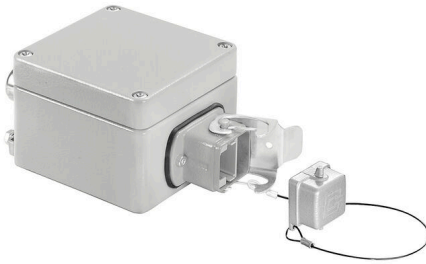


## IE-OM-V05M-K11-1S

**Weidmüller Interface GmbH & Co. KG**  
Klingenbergstraße 26  
D-32758 Detmold  
Germany

[www.weidmueller.com](http://www.weidmueller.com)



Design for HDC / Rockstar plug-in connectors ver.5  
according to IEC 61076-3-106, metal

### General ordering data

Version	Junction box, IP67, Variant 5, 1 port, straight
Order No.	<a href="#">1966260000</a>
Type	IE-OM-V05M-K11-1S
GTIN (EAN)	4032248658459
Qty.	1 items

## IE-OM-V05M-K11-1S

**Weidmüller Interface GmbH & Co. KG**  
 Klingenbergstraße 26  
 D-32758 Detmold  
 Germany

www.weidmueller.com

## Technical data

### Approvals

ROHS	Conform
------	---------

### Dimensions and weights

Depth	57 mm	Depth (inches)	2.2441 inch
Width	75 mm	Width (inches)	2.9527 inch
Length	140 mm	Length (inches)	5.5118 inch
Net weight	449 g		

### Temperatures

Storage temperature	Operating temperature	-40 °C...70 °C
Installation temperature		

### Environmental Product Compliance

RoHS Compliance Status	Compliant with exemption
RoHS Exemption (if applicable/known)	6c
REACH SVHC	Lead 7439-92-1, Potassium perfluorobutane sulfonate 29420-49-3
SCIP	3767b26f-703a-492e-9234-36e83d1c0725

### General data

Colour	grey	Housing main material	AL-Si 12
Type of mounting	Floor-mounted, Wall mounting	Protection degree	IP67
Plugging cycles	750		

### General standards

Connector standard	IEC 61076-3-106 Var. 5
--------------------	------------------------

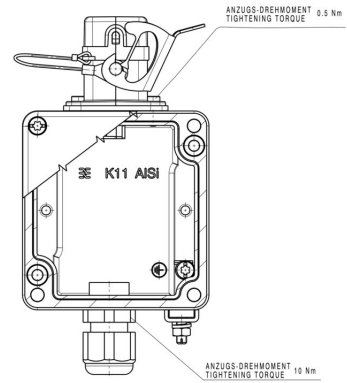
### Classifications

ETIM 8.0	EC002597	ETIM 9.0	EC002597
ETIM 10.0	EC002597	ECLASS 14.0	27-44-03-18
ECLASS 15.0	27-44-03-18		

Dimensioned drawing



Drawing



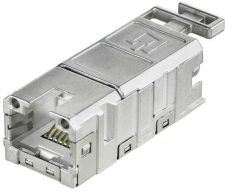
## IE-OM-V05M-K11-1S

**Weidmüller Interface GmbH & Co. KG**  
 Klingenbergstraße 26  
 D-32758 Detmold  
 Germany

www.weidmueller.com

## Accessories

## RJ45



FrontCom® Vario integrates multiple functions in only one single frame. The system is easy to install and you can select from a wide range of data, signal and power modules. In addition to being extremely compact, FrontCom® Vario offers a number of unique product features that will make your project planning and work activities secure, fast and future-proof. Furthermore, the FrontCom® Vario system has an attractive housing design that, by the way, offers highest impact-resistance and fully meets the requirements of IP 65 protection class.

## General ordering data

Type	IE-BI-RJ45-FJ-B	Version
Order No.	<a href="#">1963840000</a>	RJ45 insert socket, Connector for base, TIA-568B
GTIN (EAN)	4032248651894	
Qty.	10 ST	
Type	IE-BI-RJ45-FJ-P	Version
Order No.	<a href="#">1963830000</a>	RJ45 insert socket, Connector for base, PROFINET
GTIN (EAN)	4032248646159	
Qty.	10 ST	
Type	IE-BI-RJ45-FJ-A	Version
Order No.	<a href="#">1962850000</a>	RJ45 insert socket, Connector for base, TIA-568A
GTIN (EAN)	4032248645053	
Qty.	10 ST	

## Sets - RJ45



HDC plug-in connector set according to IEC 61076-3-106 ver.5 in metal, with RJ45 insert

## General ordering data

Type	IE-PS-V05M-RJ45-FH	Version
Order No.	<a href="#">1963200000</a>	RJ45 plug, no tools required, Variant 5, Cat.6A / Class EA (ISO/IEC 11801 2010)
GTIN (EAN)	4032248651689	
Qty.	10 ST	