

RJ45C6 T1V 3.0N4N TY

Weidmüller Interface GmbH & Co. KG

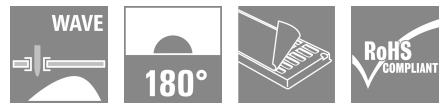
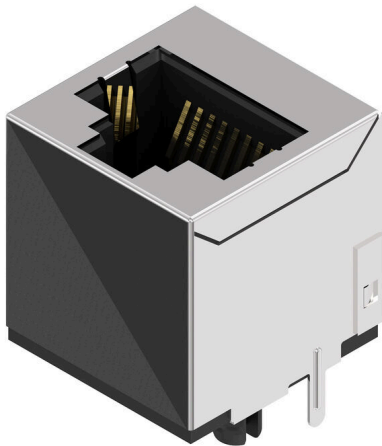
Klingenbergstraße 26

D-32758 Detmold

Germany

www.weidmueller.com

Product image



The product range encompasses the following designs:

- 90°, lying (horizontal) and 180°, standing (vertical)
- latch up / latch down
- THT, THR or SMD soldering processes
- Wide range of different design types, also with integrated LEDs and shield contact tabs
- Performance category Cat. 3 to Cat. 6
- Packed either in a tray (TY) or on a roll (tape-on-reel, RL)
- Compatible with modular RJ45 connector according to ANSI / TIA-1096-A and IEC 60603
- Dielectric strength ≥ 1500 V AC RMS (2250 V AC peak value) according to IEEE 802.3
- Dielectric strength ≥ 1500 V AC (peak value) or ≥ 1500 V DC according to IEC 60603

Properties and advantages:

- Extended temperature range of -40°C to $+85^{\circ}\text{C}$ for maximum performance
- Reinforced gold layer ($30\mu\text{m}$) for improved corrosion protection
- At least 0.3mm stand-off ensures a perfect soldering result

General ordering data

Version	OMNIMATE Data - RJ45 modular jack, PCB plug-in connector, Cat. 6, THT solder connection, 180°, none, No, Plugging cycles: 750, Number of poles: 8, PA 66, 30...80 μm Ni / ≥ 30 μm Au , Tray (manual assembly)
Order No.	2626050000
Type	RJ45C6 T1V 3.0N4N TY
GTIN (EAN)	4050118630190
Qty.	160 items
Packaging	Tray (manual assembly)

RJ45C6 T1V 3.0N4N TY

Weidmüller Interface GmbH & Co. KG
Klingenbergstraße 26
D-32758 Detmold
Germany

www.weidmueller.com

Technical data

Approvals

Approvals



ROHS	Conform
UL File Number Search	UL Website
Certificate No. (cURus)	E471884

Dimensions and weights

Depth	16.2 mm	Depth (inches)	0.6378 inch
Height	16.5 mm	Height (inches)	0.6496 inch
Height of lowest version	16.5 mm	Width	15.8 mm
Width (inches)	0.622 inch	Net weight	5.91 g

Environmental Product Compliance

RoHS Compliance Status	Compliant without exemption
REACH SVHC	No SVHC above 0.1 wt%

System specifications

Number of poles	8	LED	No
Solder pin length (l)	3 mm	Mounting onto the PCB	THT solder connection
Pitch in inches (P)	0.050 "	Shielding material	Brass
Shielding	Yes	Side termination, characteristic	Solder flange
Solder eyelet hole diameter tolerance (D)± 0.1 mm		Number of solder pins per pole	1
Type of connection	Solder connection	Category	Cat. 6
Product family	OMNIMATE Data - RJ45 modular jack	Pitch in mm (P)	1.27 mm
Protection degree	IP20	Plugging cycles	750
Outgoing elbow	180°	Shield surface	nickel-plated
Shield tabs	none	Performance-Category	Cat. 6
Soldering process	Manual soldering, Wave soldering	Solder pin dimensions	Octagonal
Tolerance of solder pin position	± 0.1 mm		

Electrical properties

Dielectric strength, contact / shield	1500 V DC	Dielectric strength, contact / contact	1000 V DC
Volume resistance	<25 mΩ	Insulation resistance	≥ 500 MΩ
Nominal voltage	125 V	Rated current	1.5 A
PoE / PoE+	conforming to IEEE 802.3at		

Standards

Connector standard	IEC 60603-7
--------------------	-------------

Material data

Insulating material	PA 66	Colour	black
Colour chart (similar)	RAL 9011	Insulating material group	II
Comparative Tracking Index (CTI)	≥ 500	Insulation resistance	≥ 500 MΩ
Moisture Level (MSL)		UL 94 flammability rating	V-0

RJ45C6 T1V 3.0N4N TY

Weidmüller Interface GmbH & Co. KG
 Klingenbergstraße 26
 D-32758 Detmold
 Germany

www.weidmueller.com

Technical data

Contact base material	Phosphorus bronze	Contact material	Cu-alloy
Contact surface	Gold over nickel	Layer structure of plug contact	30...80 µ" Ni / ≥ 30 µ" Au
Storage temperature, min.	-40 °C	Storage temperature, max.	85 °C
Operating temperature, min.	-40 °C	Operating temperature, max.	85 °C

Packing

Packaging	Tray (manual assembly)	VPE length	321.00 mm
VPE width	190.00 mm	VPE height	67.00 mm

Important note

Notes

Classifications

ETIM 8.0	EC002637	ETIM 9.0	EC002637
ETIM 10.0	EC002637	ECLASS 14.0	27-46-02-01
ECLASS 15.0	27-46-02-01		

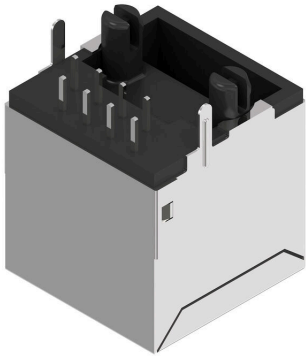
RJ45C6 T1V 3.0N4N TY

Weidmüller Interface GmbH & Co. KG
Klingenbergstraße 26
D-32758 Detmold
Germany

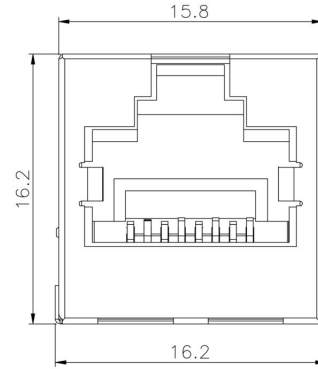
www.weidmueller.com

Drawings

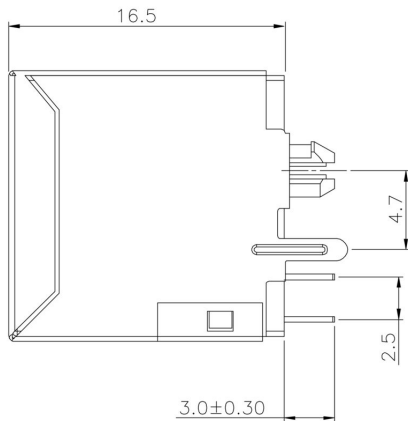
Product image



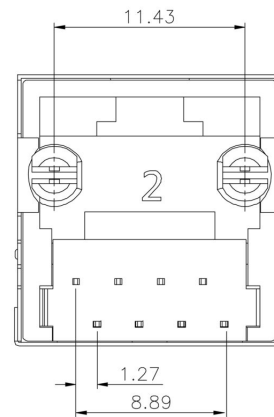
Dimensioned drawing



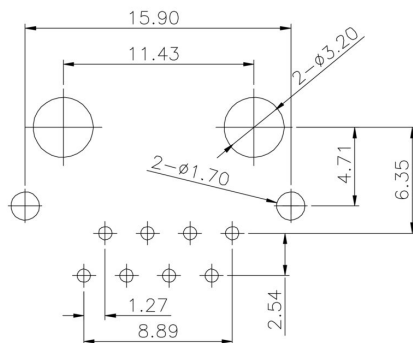
Dimensioned drawing



Dimensioned drawing



PCB design



RJ45C6 T1V 3.0N4N TY

Weidmüller Interface GmbH & Co. KG
 Klingenbergstraße 26
 D-32758 Detmold
 Germany

Drawings

www.weidmueller.com

Code	Value	Description
RJ45	G1	RJ45G1
R	1	R1U
U	3.2	3.2E
E	4	4GY/GY
GY/GY	TY	TY
RJ45G1 R1U 3.2E4GY/GY TY		
Packaging	TY RL	Tray in box (manual assembly) Tape on Reel (automated assembly)
LED	Y/G G/Y GY/GY O/G R/O ... N	Yellow/Green Green/Yellow (standard) Green-Yellow/Green-Yellow Orange/Green Red/Orange ... (further combinations possible) without LED
Contact surface thickness	4	1 = 3µ", 2 = 6µ", 3 = 15µ", 4 = 30µ", 5 = 50µ"
EMI tabs (ground fingers)	E N	E = with EMI tabs N = without EMI tabs
Solder Pin length	3.2 1.6 D	3.2 mm 1.6 mm SMD
Direction, latch style	U D V Y	Horizontal (90°, side entry), latch up Horizontal (90°, side entry), latch down Vertical (180°, top entry) Diagonal (45°), latch up
Number of Ports	1 12; 14; ... 21; 41; ...	1 Port multi ports side by side, Multiport multi ports about each other, Multilevel
Assembly on PCB	R S T	Through Hole Reflow - THR Soldering process: Wave or Reflow soldering Surface Mount Technology - SMT Soldering process: Reflow soldering Through Hole Technology - THT Soldering process: Wave
Performance Category	C5 C6 C6A C6e M G1 G10 U MP MP+	Category 5 Category 6 Category 6A Category 6e 10/100 Mbit 10/100/1000 Mbit 10 Gbit Unshielded 10/100 Mbit with POE 10/100 Mbit with POE+

Legend

RJ45C6 T1V 3.0N4N TY

Weidmüller Interface GmbH & Co. KG
 Klingenbergstraße 26
 D-32758 Detmold
 Germany

www.weidmueller.com

Counterpart

RJ45 crimp

RJ45 crimp plug-in connector according to IEC 60603-7-51 for wire outer diameters up to 1.05 mm



General ordering data

Type	IE-P	Version
Order No.	8813100000	RJ45 plug-in connector, without kink protection; 5.5 - 7.1 mm,
GTIN (EAN)	4032248512850	Cat.6A / Class EA (ISO/IEC 11801 2010), IP20
Qty.	100 ST	
Type	IE-P63	Version
Order No.	8813110000	RJ45 plug-in connector, with kink protection; 5.5 - 6.2 mm, Cat.6A /
GTIN (EAN)	4032248512867	Class EA (ISO/IEC 11801 2010), IP20
Qty.	10 ST	
Type	IE-P70	Version
Order No.	8813120000	RJ45 plug-in connector, with kink protection; 6.2 - 7.1 mm, Cat.6A /
GTIN (EAN)	4032248512874	Class EA (ISO/IEC 11801 2010), IP20
Qty.	10 ST	
Type	IE-PM-RJ45-TH	Version
Order No.	1963580000	RJ45 crimp plug, Plug without bending protection sleeve, Cat.6A /
GTIN (EAN)	4032248645688	Class EA (ISO/IEC 11801 2010)
Qty.	100 ST	
Type	IE-PS-RJ45-TH-BK	Version
Order No.	1963590000	RJ45 crimp plug, Plug with bending protection sleeve in black,
GTIN (EAN)	4032248645695	Cat.6A / Class EA (ISO/IEC 11801 2010)
Qty.	10 ST	
Type	IE-PS-RJ45-TH-BK-P	Version
Order No.	2584980000	RJ45 crimp plug, with kink protection; 6.5 - 7.5 mm, Cat.5 (ISO/IEC
GTIN (EAN)	4050118593556	11801)
Qty.	10 ST	

straight

RJ45 plug-in connector (no tools required) according to IEC 60603-7-51.



RJ45C6 T1V 3.0N4N TY

Weidmüller Interface GmbH & Co. KG
 Klingenbergstraße 26
 D-32758 Detmold
 Germany

www.weidmueller.com

Counterpart

General ordering data

Type	IE-PS-RJ45-FH-180-A-1.1	Version
Order No.	1992850000	RJ45 plug with piercing contacts, straight, Cat.6A / Class EA (ISO/
GTIN (EAN)	4050118378115	IEC 11801 2010), EIA/TIA T568 A
Qty.	1 ST	
Type	IE-PS-RJ45-FH-180-A-1.6	Version
Order No.	1992820000	RJ45 plug with piercing contacts, straight, Cat.6A / Class EA (ISO/
GTIN (EAN)	4050118377897	IEC 11801 2010), EIA/TIA T568 A
Qty.	1 ST	
Type	IE-PS-RJ45-FH-180-B-1.1	Version
Order No.	1992860000	RJ45 plug with piercing contacts, straight, Cat.6A / Class EA (ISO/
GTIN (EAN)	4050118378108	IEC 11801 2010), EIA/TIA T568 B
Qty.	1 ST	
Type	IE-PS-RJ45-FH-180-B-1.6	Version
Order No.	1992830000	RJ45 plug with piercing contacts, straight, Cat.6A / Class EA (ISO/
GTIN (EAN)	4050118377972	IEC 11801 2010), EIA/TIA T568 B
Qty.	1 ST	
Type	IE-PS-RJ45-FH-180-P-1.6	Version
Order No.	1992840000	RJ45 plug with piercing contacts, straight, Cat.5 (ISO/IEC 11801),
GTIN (EAN)	4050118378023	PROFINET
Qty.	1 ST	

angled with cable gland

RJ45 plug-in connector (no tools required) according to IEC 60603-7-51.



General ordering data

Type	IE-PS-RJ45-FH-90-A-1.1	Version
Order No.	1518080000	RJ45 plug with piercing contacts, angled, 4x90°, Cat.6A / Class EA
GTIN (EAN)	4050118324969	(ISO/IEC 11801 2010), EIA/TIA T568 A
Qty.	1 ST	
Type	IE-PS-RJ45-FH-90-A-1.6	Version
Order No.	1992870000	RJ45 plug with piercing contacts, angled, 4x90°, Cat.6A / Class EA
GTIN (EAN)	4050118378054	(ISO/IEC 11801 2010), EIA/TIA T568 A
Qty.	1 ST	
Type	IE-PS-RJ45-FH-90-B-1.1	Version
Order No.	1518090000	RJ45 plug with piercing contacts, angled, 4x90°, Cat.6A / Class EA
GTIN (EAN)	4050118325300	(ISO/IEC 11801 2010), EIA/TIA T568 B
Qty.	1 ST	
Type	IE-PS-RJ45-FH-90-B-1.6	Version
Order No.	1992890000	RJ45 plug with piercing contacts, angled, 4x90°, Cat.6A / Class EA
GTIN (EAN)	4050118378122	(ISO/IEC 11801 2010), EIA/TIA T568 B
Qty.	1 ST	

RJ45C6 T1V 3.0N4N TY

Weidmüller Interface GmbH & Co. KG
 Klingenbergstraße 26
 D-32758 Detmold
 Germany

www.weidmueller.com

Counterpart

Type	IE-PS-RJ45-FH-90-P-1.6	Version
Order No.	1518100000	RJ45 plug with piercing contacts, angled, 4x90°, Cat.5 (ISO/IEC
GTIN (EAN)	4050118325232	11801), PROFINET
Qty.	1 ST	

RJ45 tool-free



RJ45 plug-in connector (tool-less) according to IEC 60603-7-51 for wire outer diameters up to 1.6 mm

General ordering data

Type	IE-PS-RJ45-FH-BK	Version
Order No.	1963600000	RJ45 IDC plug, Cat.6A / Class EA (ISO/IEC 11801 2010), 8-core, 4-
GTIN (EAN)	4032248645725	core, EIA/TIA T568 A, EIA/TIA T568 B, PROFINET
Qty.	10 ST	
Type	IE-PS-RJ45-FH-BK-A	Version
Order No.	1132040000	RJ45 IDC plug, Cat.6A / Class EA (ISO/IEC 11801 2010), 8-core,
GTIN (EAN)	4032248912155	EIA/TIA T568 A
Qty.	10 ST	
Type	IE-PS-RJ45-FH-BK-B	Version
Order No.	1132050000	RJ45 IDC plug, Cat.6A / Class EA (ISO/IEC 11801 2010), 8-core,
GTIN (EAN)	4032248912148	EIA/TIA T568 B
Qty.	10 ST	
Type	IE-PS-RJ45-FH-BK-P	Version
Order No.	1132060000	RJ45 IDC plug, Cat.5 (ISO/IEC 11801), 4-core, PROFINET
GTIN (EAN)	4032248912162	
Qty.	10 ST	