

KLIPPON POK 080806 EX

Weidmüller Interface GmbH & Co. KG
 Klingenbergstraße 26
 D-32758 Detmold
 Germany

www.weidmueller.com



The Klippon® POK enclosure range is made from a high-quality glass fibre reinforced polyester and is ideal for applications and environments where corrosion resistance, impact resistance and a high IP protection class are a requirement.

Key features of the extensive product range:

- Available in 17 sizes
- Two standard finishes (colours): grey (similar to RAL 7001 for industrial use) and black (similar to RAL 9011 for harsh environments, Ex)
- Cover with stainless steel screws in cross-head / slotted design
- Moulded gasket made of silicone or chloroprene
- Fixing holes outside the sealed area to ensure high ingress protection of IP66
- Impact resistance up to 7 Joules
- Mounting directly in the enclosure or using an internal mounting plate
- Direct wall mounting possible using fixing holes or mounting feet
- Fastening thread to attach mounting rails and plates
- Up to E60 fire rating dependent on the configuration
- Weidmüller can manufacture and supply this enclosure to match customer specifications - fitted with all necessary terminals and cable glands.

General ordering data

Version	Klippon POK (polyester empty enclosure), Empty enclosure, Height: 75 mm, Width: 80 mm, Depth: 55 mm, Basic material: Glass fibre-reinforced polyester, untreated, polished, black
Order No.	1306000000
Type	KLIPPON POK 080806 EX
GTIN (EAN)	4050118108439
Qty.	1 items

KLIPPON POK 080806 EX

Weidmüller Interface GmbH & Co. KG
 Klingenbergstraße 26
 D-32758 Detmold
 Germany

www.weidmueller.com

Technical data

Approvals

Approvals



ROHS	Conform
UL File Number Search	UL Website
Certificate no. (cULus)	E256877

Dimensions and weights

Depth	55 mm	Depth (inches)	2.1654 inch
Height	75 mm	Height (inches)	2.9527 inch
Height of lowest version	55 mm	Width	80 mm
Width (inches)	3.1496 inch	Mounting dimension - height	45 mm
Mounting dimension - width	68 mm	Net weight	289 g

Temperatures

Operating temperature	-55 °C...100 °C
-----------------------	-----------------

Environmental Product Compliance

RoHS Compliance Status	Compliant with exemption
RoHS Exemption (if applicable/known)	6c
REACH SVHC	Lead 7439-92-1
SCIP	afb385d0-c52b-4449-8502-203596817ab0

Cable glands, left

M12	1	M16	1
M20	1		

Cable glands, right

M16	1	M20	1
M12	1		

Cable glands, top/bottom

M20	1	M12	4
M25	1	M16	2

Certificate numbers enclosure

Declaration of Conformity No. (DoC LVD)	DE PS2600 160412 001ISS02	Attestation of Conformity No. (AoC)	DE PS2600 160308 001ISS03
Certificate no. Terminal Box (KOSHA)	16-AV4BO-0246X	Certificate no. empty enclosure (INMETRO)	LMP 23.0528U
Certificate No. (DNV)	TAE00002R2	Certificate no. Terminal Box (AEx)	E223792
Certificate no. Terminal Box (ATEX)	IBExU13ATEX1004 X	Certificate no. empty enclosure (ATEX)	IBExU13ATEX1003 U

KLIPPON POK 080806 EX

Weidmüller Interface GmbH & Co. KG
 Klingenbergstraße 26
 D-32758 Detmold
 Germany

www.weidmueller.com

Technical data

Certificate no. Terminal Box (INMETRO)	LMP 21.0021X	Certificate no. Terminal Box (IECEX)	IECEX IBE 13.0004X
Certificate no. empty enclosure (IECEX)	IECEX IBE 13.0003U	Certificate No. (IECEX)	IECEXIBE13.0003U
Certificate No. (ATEX)	IBEXU13ATEX1003U	Certificate no. empty enclosure (AEx)	E223792
Approval conditions	ATEX, DNV, IECEX, LR, RMRS, UL AEx Class Div., UL AEx Class Zone, cULus, KC, CCC, INMETRO	Certificate no. (cULus)	E256877

General information

Material thickness of cover	3.6 mm	Material thickness of enclosure	4.29 mm
Operating temperature, max.	100 °C	Operating temperature, min.	-55 °C
UL 94 flammability rating	V-0	Lid attachment	Slotted/Phillips screws
Standards	DIN EN 62208 - Empty enclosure standard, IEC 60079-0, IEC 60079-7, IEC 60079-31	Surface finish	untreated, polished
Impact resistance	7 J ATEX version	Protection degree	IP66
Basic material	Glass fibre-reinforced polyester	Seal material	Silicone
Torque for lid screws	2.5 Nm	Enclosure attachment	Installation through the housing rear wall, Fixing lugs
Protection class (UL)	Type 4, Type 4X	Number of lid screws	4
Access opening: width	71.42 mm	Required tool	SDK PZ2
Flange plate	No	Lid	Yes
Access opening: height	66.42 mm	Areas of use	Explosive risk zone, Harbour facilities, Machine construction, Process industry, Transportation

horizontal assembly

WDU 2,5 / ZDU 2,5 / IDU 2,5	1x5	WDU 4 / ZDU 4	1x4
-----------------------------	-----	---------------	-----

vertical assembly

WDU 2,5 / ZDU 2,5 / IDU 2,5	1x1*	WDU 4 / ZDU 4	1x1*
-----------------------------	------	---------------	------

Classifications

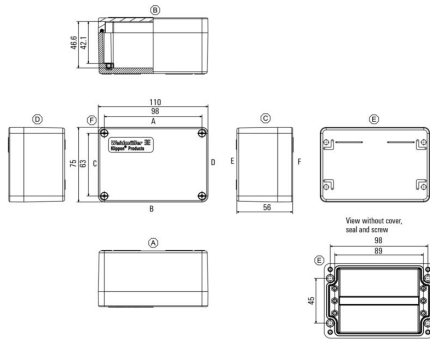
ETIM 8.0	EC002503	ETIM 9.0	EC002503
ETIM 10.0	EC002503	ECLASS 14.0	27-18-05-02
ECLASS 15.0	27-18-05-02		

KLIPPON POK 080806 EX

Weidmüller Interface GmbH & Co. KG
Klingenbergstraße 26
D-32758 Detmold
Germany

Drawings

www.weidmueller.com



KLIPPON POK 080806 EX

Weidmüller Interface GmbH & Co. KG
 Klingenbergstraße 26
 D-32758 Detmold
 Germany

www.weidmueller.com

Accessories

Klippon® POK earthing plates



The Klippon® POK enclosure range is made from a high-quality glass fibre reinforced polyester and is ideal for applications and environments where corrosion resistance, impact resistance and a high IP protection class are a requirement.

Key features of the extensive product range:

- Available in 17 sizes
- Two standard finishes (colours): grey (similar to RAL 7001 for industrial use) and black (similar to RAL 9011 for harsh environments, Ex)
- Cover with stainless steel screws in cross-head / slotted design
- Moulded gasket made of silicone or chloroprene
- Fixing holes outside the sealed area to ensure high ingress protection of IP66
- Impact resistance up to 7 Joules
- Mounting directly in the enclosure or using an internal mounting plate
- Direct wall mounting possible using fixing holes or mounting feet
- Fastening thread to attach mounting rails and plates
- Up to E60 fire rating dependent on the configuration
- Weidmüller can manufacture and supply this enclosure to match customer specifications - fitted with all necessary terminals and cable glands.

General ordering data

Type	KLIPPON COPL 080806	Version	
Order No.	1390910000		Klippon POK (polyester empty enclosure), Earthing plate,
GTIN (EAN)	4050118191073		Miscellaneous, Height: 32.5 mm, Width: 101 mm, Depth: 0.8 mm,
Qty.	5 ST		Basic material: Brass, polished, untreated

KLIPPON POK 080806 EX

Weidmüller Interface GmbH & Co. KG
 Klingenbergstraße 26
 D-32758 Detmold
 Germany

Accessories

www.weidmueller.com

Klippon® POK installation material



The Klippon® POK enclosure range is made from a high-quality glass fibre reinforced polyester and is ideal for applications and environments where corrosion resistance, impact resistance and a high IP protection class are a requirement.

Key features of the extensive product range:

- Available in 17 sizes
- Two standard finishes (colours): grey (similar to RAL 7001 for industrial use) and black (similar to RAL 9011 for harsh environments, Ex)
- Cover with stainless steel screws in cross-head / slotted design
- Moulded gasket made of silicone or chloroprene
- Fixing holes outside the sealed area to ensure high ingress protection of IP66
- Impact resistance up to 7 Joules
- Mounting directly in the enclosure or using an internal mounting plate
- Direct wall mounting possible using fixing holes or mounting feet
- Fastening thread to attach mounting rails and plates
- Up to E60 fire rating dependent on the configuration
- Weidmüller can manufacture and supply this enclosure to match customer specifications - fitted with all necessary terminals and cable glands.

General ordering data

Type	TPSD FIXING SET POK	Version
Order No.	1435840000	Klippon POK (polyester empty enclosure), Type plate fixings set,
GTIN (EAN)	4050118240771	Height: 12 mm, Width: 12 mm, Depth: 15.06 mm, Basic material:
Qty.	1 ST	Stainless steel, rust-proof, untreated
Type	SD FIXING SET POK	Version
Order No.	1463490000	Klippon POK (polyester empty enclosure), Identification plate fixing
GTIN (EAN)	4050118299878	set, Height: 12 mm, Width: 12 mm, Depth: 16.4 mm, Basic material:
Qty.	1 ST	Stainless steel 1.4305 (303), untreated

KLIPPON POK 080806 EX

Weidmüller Interface GmbH & Co. KG
 Klingenbergstraße 26
 D-32758 Detmold
 Germany

www.weidmueller.com

Accessories

Klippon® POK standard mounting plates



The Klippon® POK enclosure range is made from a high-quality glass fibre reinforced polyester and is ideal for applications and environments where corrosion resistance, impact resistance and a high IP protection class are a requirement.

Key features of the extensive product range:

- Available in 17 sizes
- Two standard finishes (colours): grey (similar to RAL 7001 for industrial use) and black (similar to RAL 9011 for harsh environments, Ex)
- Cover with stainless steel screws in cross-head / slotted design
- Moulded gasket made of silicone or chloroprene
- Fixing holes outside the sealed area to ensure high ingress protection of IP66
- Impact resistance up to 7 Joules
- Mounting directly in the enclosure or using an internal mounting plate
- Direct wall mounting possible using fixing holes or mounting feet
- Fastening thread to attach mounting rails and plates
- Up to E60 fire rating dependent on the configuration
- Weidmüller can manufacture and supply this enclosure to match customer specifications - fitted with all necessary terminals and cable glands.

General ordering data

Type	POK MOPL 0808	Version
Order No.	9510570000	Klippon POK (polyester empty enclosure), Mounting plate, Height:
GTIN (EAN)	4032248415274	64 mm, Width: 69 mm, Depth: 1.5 mm, Basic material: Sheet steel,
Qty.	1 ST	galvanized, galvanized, silver

KLIPPON POK 080806 EX

Weidmüller Interface GmbH & Co. KG
 Klingenbergstraße 26
 D-32758 Detmold
 Germany

www.weidmueller.com

Accessories

Klippon® POK mounting plates in combination with earthing plates



The Klippon® POK enclosure range is made from a high-quality glass fibre reinforced polyester and is ideal for applications and environments where corrosion resistance, impact resistance and a high IP protection class are a requirement.

Key features of the extensive product range:

- Available in 17 sizes
- Two standard finishes (colours): grey (similar to RAL 7001 for industrial use) and black (similar to RAL 9011 for harsh environments, Ex)
- Cover with stainless steel screws in cross-head / slotted design
- Moulded gasket made of silicone or chloroprene
- Fixing holes outside the sealed area to ensure high ingress protection of IP66
- Impact resistance up to 7 Joules
- Mounting directly in the enclosure or using an internal mounting plate
- Direct wall mounting possible using fixing holes or mounting feet
- Fastening thread to attach mounting rails and plates
- Up to E60 fire rating dependent on the configuration
- Weidmüller can manufacture and supply this enclosure to match customer specifications - fitted with all necessary terminals and cable glands.

General ordering data

Type	POK MOPL 0808 MINI	Version
Order No.	1534280000	Klippon POK (polyester empty enclosure), Mounting plate, Height:
GTIN (EAN)	4050118338058	68 mm, Width: 34 mm, Depth: 1.5 mm, Basic material: Sheet steel,
Qty.	1 ST	galvanized, galvanized, silver

KLIPPON POK 080806 EX

Weidmüller Interface GmbH & Co. KG
 Klingenbergstraße 26
 D-32758 Detmold
 Germany

www.weidmueller.com

Accessories

TS 15



The Klippon® POK enclosure range is made from a high-quality glass fibre reinforced polyester and is ideal for applications and environments where corrosion resistance, impact resistance and a high IP protection class are a requirement.

Key features of the extensive product range:

- Available in 17 sizes
- Two standard finishes (colours): grey (similar to RAL 7001 for industrial use) and black (similar to RAL 9011 for harsh environments, Ex)
- Cover with stainless steel screws in cross-head / slotted design
- Moulded gasket made of silicone or chloroprene
- Fixing holes outside the sealed area to ensure high ingress protection of IP66
- Impact resistance up to 7 Joules
- Mounting directly in the enclosure or using an internal mounting plate
- Direct wall mounting possible using fixing holes or mounting feet
- Fastening thread to attach mounting rails and plates
- Up to E60 fire rating dependent on the configuration
- Weidmüller can manufacture and supply this enclosure to match customer specifications - fitted with all necessary terminals and cable glands.

General ordering data

Type	TS15X5 ST POK 0808	Version
Order No.	8000003889	Rail, TS 15, Width: 68 mm, without slot, Steel, galvanic zinc plated
GTIN (EAN)	4050118652543	and passivated
Qty.	20 ST	

Earthing stud



Earthing bolts to exchange as a complete component in two versions – brass and stainless steel.

General ordering data

Type	PEBZ M10 BR SET	Version
Order No.	1277220000	Klippon POK (polyester empty enclosure), Earthing stud,
GTIN (EAN)	4050118067019	Miscellaneous, Height: 21 mm, Width: 21 mm, Depth: 48.7 mm,
Qty.	1 ST	Basic material: Brass

KLIPPON POK 080806 EX

Weidmüller Interface GmbH & Co. KG
 Klingenbergstraße 26
 D-32758 Detmold
 Germany

www.weidmueller.com

Accessories

Klippon® POK earthing stud



The Klippon® POK enclosure range is made from a high-quality glass fibre reinforced polyester and is ideal for applications and environments where corrosion resistance, impact resistance and a high IP protection class are a requirement.

Key features of the extensive product range:

- Available in 17 sizes
- Two standard finishes (colours): grey (similar to RAL 7001 for industrial use) and black (similar to RAL 9011 for harsh environments, Ex)
- Cover with stainless steel screws in cross-head / slotted design
- Moulded gasket made of silicone or chloroprene
- Fixing holes outside the sealed area to ensure high ingress protection of IP66
- Impact resistance up to 7 Joules
- Mounting directly in the enclosure or using an internal mounting plate
- Direct wall mounting possible using fixing holes or mounting feet
- Fastening thread to attach mounting rails and plates
- Up to E60 fire rating dependent on the configuration
- Weidmüller can manufacture and supply this enclosure to match customer specifications - fitted with all necessary terminals and cable glands.

General ordering data

Type	PEBZ M10 S4 SET	Version
Order No.	1283440000	Klippon POK (polyester empty enclosure), Earthing stud,
GTIN (EAN)	4050118073362	Miscellaneous, Height: 21 mm, Width: 21 mm, Depth: 48.7 mm,
Qty.	1 ST	Basic material: Stainless steel 1.4404 (316L)
Type	PEBZ M6 BR SET	Version
Order No.	1277250000	Klippon POK (polyester empty enclosure), Earthing stud,
GTIN (EAN)	4050118067149	Miscellaneous, Height: 12.3 mm, Width: 12.3 mm, Depth: 42 mm,
Qty.	1 ST	Basic material: Brass

Earthing stud

Accessories



General ordering data

Type	PEBZ M6 S4 SET	Version
Order No.	1283430000	Klippon POK (polyester empty enclosure), Earthing stud,
GTIN (EAN)	4050118073607	Miscellaneous, Height: 12.3 mm, Width: 12.3 mm, Depth: 42 mm,
Qty.	1 ST	Basic material: Stainless steel 1.4404 (316L)

KLIPPON POK 080806 EX

Weidmüller Interface GmbH & Co. KG
 Klingenbergstraße 26
 D-32758 Detmold
 Germany

www.weidmueller.com

Accessories

Installation material



Integrate, expand and customise - the perfect supplement to every application

The fully structured range of system accessories for the new Klippon® TB enclosure series allows you to easily adapt the enclosures to meet the specific requirements of every application.

Mounting hardware kits

Mounting hardware kits are available for quick and easy installation of type label holders, document holders and rain hoods.

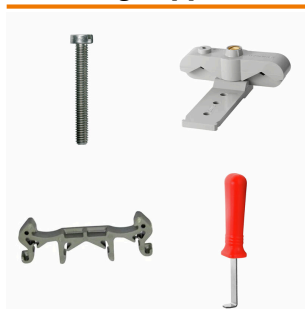
The label fastening set – SD is required to install a plastic (Trafolyte) ID or type label. With the aid of this set can you mount the ID or type label directly on the enclosure cover. The label fastening set has been specially developed for this purpose. Only by using this fastening set can you ensure that there will be no leaks into the enclosure or damage to the label.

The universal fastening set – TPSD has been developed to enable secure and quick installation of type label holders, rain covers or document holders, for example. By using this fastening set, the risk of leaks can be minimised, if not avoided.

General ordering data

Type	FKSC M6X8 D9/SW3	Version	
Order No.	0642600000	Klippon TB (Terminal Box), Mounting screw, Basic material: Steel	
GTIN (EAN)	4008190058258		
Qty.	50 ST		

Mounting support



We offer a broad portfolio of mounting support for easy handling and supplementation of our products. From various tools to insulating sleeves and various screws, our components are matched to each other down to the last detail and thus facilitate assembly in compliance with the respective standards and protective regulations.

General ordering data

Type	FKSC M4X6 D8/SW2	Version	
Order No.	1567480000	SAK Series, Allen hex screw, Screws, Number of poles: 1	
GTIN (EAN)	4008190033491		
Qty.	100 ST		