

SAKS 3/35 GZ/6.3X32

Weidmüller Interface GmbH & Co. KG

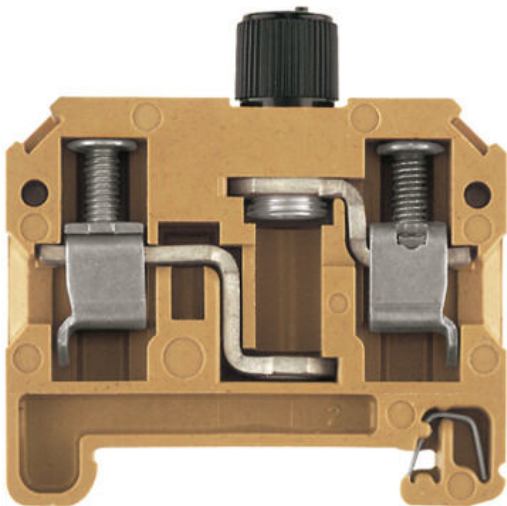
Klingenbergstraße 26

D-32758 Detmold

Germany

www.weidmueller.com

Product image



Similar to illustration

Fuse terminal blocks and component terminal blocks allow protective and functional elements to be integrated directly into the terminal strip. Fuse terminal blocks include built-in fuse holders to reliably protect electrical circuits against overload –ideal for control and distribution systems. Component terminal blocks make it possible to incorporate electronic components such as diodes, resistors, or LEDs directly into the wiring. This enables space-saving and clearly arranged implementation of switching functions and signal separation. Both types of terminal blocks ensure higher safety, easy maintenance, and a compact, function-oriented installation.

General ordering data

| | |
|------------|----------------------------------------------------------------------------------------------------------------------------------------|
| Version | Fuse terminal, Screw connection, medium yellow, 10 mm ² , 10 A, 500 V, Number of connections: 2, Number of levels: 1, TS 35 |
| Order No. | 0667520000 |
| Type | SAKS 3/35 GZ/6.3X32 |
| GTIN (EAN) | 4008190093976 |
| Qty. | 20 items |

SAKS 3/35 GZ/6.3X32

Weidmüller Interface GmbH & Co. KG

Klingenbergstraße 26

D-32758 Detmold

Germany

www.weidmueller.com

Technical data

Approvals

Approvals



ROHS Conform

UL File Number Search [UL Website](#)

Certificate No. (UR) E60693

Dimensions and weights

| | | | |
|------------|---------|-----------------|-------------|
| Depth | 53.5 mm | Depth (inches) | 2.1063 inch |
| Height | 54 mm | Height (inches) | 2.126 inch |
| Width | 13 mm | Width (inches) | 0.5118 inch |
| Net weight | 40.4 g | | |

Temperatures

| | | | |
|----------------------------------|----------------|----------------------------------|----------------|
| Storage temperature | -25 °C...55 °C | Ambient temperature | -60 °C...85 °C |
| Continuous operating temp., min. | -60 °C | Continuous operating temp., max. | 130 °C |

Environmental Product Compliance

| | |
|--------------------------------------|--------------------------------------|
| RoHS Compliance Status | Compliant with exemption |
| RoHS Exemption (if applicable/known) | 6c |
| REACH SVHC | Lead 7439-92-1 |
| SCIP | 999cd67e-471e-4085-8dba-1342fcea86de |

Material data

| | | | |
|---------------------------|----------|--------|---------------|
| Basic material | KrG | Colour | medium yellow |
| UL 94 flammability rating | V-0, 5VA | | |

System specifications

| | | | |
|-------------------------------------|-------------------------------------------------------------|-------------------------------|-----|
| Version | Screw connection, Fuse cartridge, One end without connector | End cover plate required | Yes |
| Number of potentials | 1 | Number of levels | 1 |
| Number of clamping points per level | 2 | Number of potentials per tier | 1 |
| Levels cross-connected internally | No | PE connection | No |
| Mounting rail | TS 35 | N-function | No |
| PE function | No | PEN function | No |

Additional technical data

| | | | |
|---------------------|-----------------|-----------------------------|----|
| Open sides | right | Number of similar terminals | 1 |
| Installation advice | Direct mounting | Explosion-tested version | No |
| Type of mounting | Snap-on | | |

CSA rating data

| | | | |
|-------------------------------|--------|-----------------------|-----------|
| Wire cross section max. (CSA) | 10 AWG | Voltage size C (CSA) | 600 V |
| Current size C (CSA) | 10 A | Certificate No. (CSA) | 12400-198 |
| Wire cross section min. (CSA) | 22 AWG | | |

SAKS 3/35 GZ/6.3X32

Weidmüller Interface GmbH & Co. KG

Klingenbergstraße 26

D-32758 Detmold

Germany

www.weidmueller.com

Technical data

Conductors for clamping (additional connection)

Connection type, additional connection Screw connection

Conductors for clamping (rated connection)

| | | | |
|-----------------------------------------------------------------------------------------|----------------------|-----------------------------------------------------------------------------------------|----------------------|
| Gauge to IEC 60947-1 | B6 | Wire connection cross section AWG, max. | AWG 10 |
| Connection direction | on side | Tightening torque, max. | 2.4 Nm |
| Tightening torque, min. | 1.2 Nm | Stripping length | 12 mm |
| Type of connection 2 | Screw connection | Type of connection | Screw connection |
| Number of connections | 2 | Clamping range, max. | 16 mm ² |
| Clamping range, min. | 0.33 mm ² | Clamping screw | M 4 |
| Blade size | 1.0 x 5.5 mm | Wire connection cross section AWG, min. | AWG 22 |
| Wire connection cross-section, finely stranded with wire-end ferrules DIN 46228/4, min. | 0.33 mm ² | Wire connection cross-section, finely stranded with wire-end ferrules DIN 46228/1, max. | 10 mm ² |
| Wire connection cross-section, finely stranded with wire-end ferrules DIN 46228/1, min. | 0.33 mm ² | Wire connection cross section, finely stranded, max. | 10 mm ² |
| Wire connection cross section, finely stranded, min. | 0.33 mm ² | Connection cross-section, stranded, max. | 10 mm ² |
| Connection cross-section, stranded, min. | 0.33 mm ² | Torque level with DMS electric screwdriver | 4 |
| Wire connection cross-section, solid core, max. | 16 mm ² | Wire connection cross-section, solid core, min. | 0.33 mm ² |
| Connection cross-section, finely stranded, min. | 0.33 mm ² | | |

Fuse terminals

| | | | |
|-------------------------------|----------------|--------------------------------|-------------|
| Cartridge fuse | G-Si. 6.3 x 32 | Fuse holder (cartridge holder) | pluggable |
| Type of voltage for indicator | AC/DC | Display | Without LED |
| Operating voltage, max. | 500 V | | |

General

| | | | |
|-----------------------------------------|--------|---------------------|-----------------|
| Wire connection cross section AWG, max. | AWG 10 | Installation advice | Direct mounting |
| Wire connection cross section AWG, min. | AWG 22 | Standards | IEC 60947-7-3 |
| Mounting rail | TS 35 | | |

Rating data

| | | | |
|----------------------------------------------|--------------------|---------------------------------|---------------|
| Rated cross-section | 10 mm ² | Rated voltage | 500 V |
| Rated DC voltage | 500 V | Nominal current | 10 A |
| Current at maximum wires | 10 A | Standards | IEC 60947-7-3 |
| Volume resistance according to IEC 60947-7-x | 0.56 mΩ | Rated impulse withstand voltage | 6 kV |
| Power loss in accordance with IEC 60947-7-x | 1.82 W | Pollution severity | 3 |

UL rating data

| | | | |
|-----------------------------------------|-------|-----------------------------------------|--------|
| Conductor size Factory wiring max. (UR) | 8 AWG | Current size C (UR) | 8 A |
| Voltage size C (UR) | 600 V | Conductor size Factory wiring min. (UR) | 26 AWG |

SAKS 3/35 GZ/6.3X32

Weidmüller Interface GmbH & Co. KG
Klingenbergstraße 26
D-32758 Detmold
Germany

www.weidmueller.com

Technical data

| | | | |
|---------------------------------------|--------|---------------------------------------|--------|
| Certificate No. (UR) | E60693 | Conductor size Field wiring min. (UR) | 22 AWG |
| Conductor size Field wiring max. (UR) | 8 AWG | | |

Important note

Product information The voltage depends on the selected fuse element or the selected indicator light

Classifications

| | | | |
|-------------|-------------|-------------|-------------|
| ETIM 8.0 | EC000899 | ETIM 9.0 | EC000899 |
| ETIM 10.0 | EC000899 | ECLASS 14.0 | 27-25-01-13 |
| ECLASS 15.0 | 27-25-01-13 | | |

SAKS 3/35 GZ/6.3X32

Weidmüller Interface GmbH & Co. KG
 Klingenbergstraße 26
 D-32758 Detmold
 Germany

www.weidmueller.com

Accessories

End plates and partition plates



Partition plates and end plates are essential accessories for terminal blocks. Partition plates provide optical and electrical separation of different potentials and functional groups, increasing safety and ensuring a clear structure inside the control cabinet. End plates close the terminal block row on the sides, protect against contact with live parts, and ensure a clean, stable finish. Both components are precisely matched to the respective Weidmüller terminal block series, contributing to safe, compliant, and professional wiring.

General ordering data

| | | |
|------------|----------------------------|-------------------------------------------------------------------------------------------------|
| Type | AP SAKS1+3 KRK | Version |
| Order No. | 0191320000 | End plate for terminals, dark beige, yellow, Height: 54 mm, Width: 3 mm, V-O, KrG, Snap-on: Yes |
| GTIN (EAN) | 4008190031688 | |
| Qty. | 20 ST | |
| Type | AP SAKS1+3 KRK/DB | Version |
| Order No. | 0191300000 | End plate for terminals, dark beige, Height: 54 mm, Width: 3 mm, V-O, KrG, Snap-on: Yes |
| GTIN (EAN) | 4008190099763 | |
| Qty. | 20 ST | |

Custom printing



The Dekafix (DEK) marker is the universal marker for all conductor and plug-in connectors as well as for electronic sub-assemblies. The system is ideal for short number sequences and covers a wide range of ready-printed markers.

Strips for fast installation in only one work step. The printing is easy to read, rich in contrast and available in various widths.

- Large range of ready-to-use markers
- Strips for fast installation
- Terminal markers, suitable for all Weidmüller cable connectors
- Available as blank MultiCard or with standard printing

For custom printing: Please send us a file of our labeling software M-Print PRO or M-Print PRO Online (without installation) for your labeling specifications.

General ordering data

| | | |
|------------|----------------------------|-----------------------------------------------------------|
| Type | DEK 5/5 MC SDR | Version |
| Order No. | 1609810000 | Dekafix, Terminal marker, 5 x 5 mm, Pitch in mm (P): 5.00 |
| GTIN (EAN) | 4008190456597 | Weidmueller, To customer specification |
| Qty. | 200 ST | |

SAKS 3/35 GZ/6.3X32

Weidmüller Interface GmbH & Co. KG
 Klingenbergstraße 26
 D-32758 Detmold
 Germany

www.weidmueller.com

Accessories

Blank



The Dekafix (DEK) marker is the universal marker for all conductor and plug-in connectors as well as for electronic sub-assemblies. The system is ideal for short number sequences and covers a wide range of ready-printed markers.

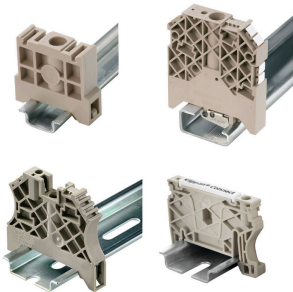
Strips for fast installation in only one work step. The printing is easy to read, rich in contrast and available in various widths.

- Large range of ready-to-use markers
 - Strips for fast installation
 - Terminal markers, suitable for all Weidmüller cable connectors
 - Available as blank MultiCard or with standard printing
- For custom printing: Please send us a file of our labeling software M-Print PRO or M-Print PRO Online (without installation) for your labeling specifications.

General ordering data

| | | | |
|------------|----------------------------|-----------------------------------------------------------|--|
| Type | DEK 5/5 MC NE WS | Version | |
| Order No. | 1609801044 | Dekafix, Terminal marker, 5 x 5 mm, Pitch in mm (P): 5.00 | |
| GTIN (EAN) | 4008190397111 | Weidmueller, white | |
| Qty. | 1000 ST | | |

End bracket



Weidmüller's range of products includes end brackets that guarantee a permanent, reliable mounting on the terminal rail and prevent sliding. Versions with and without screws are available. The end brackets include marking options, also for group markers, and also a test plug holder.

General ordering data

| | | | |
|------------|----------------------------|--------------------------------------------------------------|--|
| Type | EW 35 | Version | |
| Order No. | 0383560000 | End bracket, beige, TS 35, V-2, Wemid, Width: 8.5 mm, 100 °C | |
| GTIN (EAN) | 4008190181314 | | |
| Qty. | 50 ST | | |
| Type | EWK 1 | Version | |
| Order No. | 0206160000 | End bracket, beige, TS 32, V-0, Wemid, Width: 9 mm, 100 °C | |
| GTIN (EAN) | 4008190080020 | | |
| Qty. | 50 ST | | |

SAKS 3/35 GZ/6.3X32

Weidmüller Interface GmbH & Co. KG
 Klingenbergstraße 26
 D-32758 Detmold
 Germany

www.weidmueller.com

Accessories

Mounting support



We offer a broad portfolio of mounting support for easy handling and supplementation of our products. From various tools to insulating sleeves and various screws, our components are matched to each other down to the last detail and thus facilitate assembly in compliance with the respective standards and protective regulations.

General ordering data

| | | | |
|------------|----------------------------|------------------------------------------------------------------|--|
| Type | BFSC M3X25 | Version | |
| Order No. | 0292500000 | Mounting screw (Terminal), 3.00 mm, Steel, Depth: 4.8 mm, Width: | |
| GTIN (EAN) | 4008190177027 | 4.8 mm, Height: 25 mm | |
| Qty. | 100 ST | | |

Custom printing



The Dekafix (DEK) marker is the universal marker for all conductor and plug-in connectors as well as for electronic sub-assemblies. The system is ideal for short number sequences and covers a wide range of ready-printed markers.

Strips for fast installation in only one work step. The printing is easy to read, rich in contrast and available in various widths.

- Large range of ready-to-use markers
 - Strips for fast installation
 - Terminal markers, suitable for all Weidmüller cable connectors
 - Available as blank MultiCard or with standard printing
- For custom printing: Please send us a file of our labeling software M-Print PRO or M-Print PRO Online (without installation) for your labeling specifications.

General ordering data

| | | | |
|------------|----------------------------|-------------------------------------------------------------|--|
| Type | DEK 5/6.5 MC SDR | Version | |
| Order No. | 1609850000 | Dekafix, Terminal marker, 5 x 6.5 mm, Pitch in mm (P): 6.50 | |
| GTIN (EAN) | 4008190456610 | Weidmueller, To customer specification | |
| Qty. | 180 ST | | |

SAKS 3/35 GZ/6.3X32

Weidmüller Interface GmbH & Co. KG
 Klingenbergstraße 26
 D-32758 Detmold
 Germany

www.weidmueller.com

Accessories

Blank



The Dekafix (DEK) marker is the universal marker for all conductor and plug-in connectors as well as for electronic sub-assemblies. The system is ideal for short number sequences and covers a wide range of ready-printed markers.

Strips for fast installation in only one work step. The printing is easy to read, rich in contrast and available in various widths.

- Large range of ready-to-use markers
 - Strips for fast installation
 - Terminal markers, suitable for all Weidmüller cable connectors
 - Available as blank MultiCard or with standard printing
- For custom printing: Please send us a file of our labeling software M-Print PRO or M-Print PRO Online (without installation) for your labeling specifications.

General ordering data

| | | | |
|------------|----------------------------|-------------------------------------------------------------|--|
| Type | DEK 5/6.5 MC NE WS | Version | |
| Order No. | 1609840000 | Dekafix, Terminal marker, 5 x 6.5 mm, Pitch in mm (P): 6.50 | |
| GTIN (EAN) | 4008190203429 | Weidmueller, white | |
| Qty. | 900 ST | | |

Slotted screwdriver



Slotted screwdriver with rounded blade SD DIN 5265, ISO 2380/2, output to DIN 5264, ISO 2380/1. ChromTop tip, SoftFinish grip

General ordering data

| | | | |
|------------|----------------------------|--------------------------|--|
| Type | SDS 1.0X5.5X150 | Version | |
| Order No. | 9008350000 | Screwdriver, Screwdriver | |
| GTIN (EAN) | 4032248056316 | | |
| Qty. | 1 ST | | |

Fuse



As accessories for our wide product portfolio of fuse terminal blocks, we also offer the appropriate fuse links. The portfolio includes device protection fuses (miniature fuses) from 5x20 mm up to 10x38 mm, E 14 to E 18 fuse links, as well as automotive fuses and automatic circuit breakers. Gauge rings for the fuse holders round off the overall portfolio.

SAKS 3/35 GZ/6.3X32

Weidmüller Interface GmbH & Co. KG
 Klingenbergstraße 26
 D-32758 Detmold
 Germany

www.weidmueller.com

Accessories

General ordering data

| | | | |
|------------|----------------------------|-----------------------------------|--|
| Type | E 16/25A GE TNDZ | Version | |
| Order No. | 0208800000 | Active components, Cartridge fuse | |
| GTIN (EAN) | 4008190037314 | | |
| Qty. | 25 ST | | |

End bracket



Weidmüller's range of products includes end brackets that guarantee a permanent, reliable mounting on the terminal rail and prevent sliding. Versions with and without screws are available. The end brackets include marking options, also for group markers, and also a test plug holder.

General ordering data

| | | | |
|------------|----------------------------|------------------------------------------------------------------------|--|
| Type | EWK 1 ALT | Version | |
| Order No. | 0495160000 | End bracket, beige, TS 32, V-2, Polyamide 66, Width: 8 mm, 100 °C | |
| GTIN (EAN) | 4008190160777 | | |
| Qty. | 50 ST | | |
| Type | EWK 2 | Version | |
| Order No. | 0199360000 | End bracket, beige, TS 32, V-0, Wemid, Width: 15 mm, 100 °C | |
| GTIN (EAN) | 4008190023546 | | |
| Qty. | 50 ST | | |
| Type | WEW 32/1 | Version | |
| Order No. | 1067600000 | End bracket, dark beige, TS 32, V-2, PA 66 GF 30, Width: 12 mm, 100 °C | |
| GTIN (EAN) | 4008190099657 | | |
| Qty. | 50 ST | | |

Fuse



As accessories for our wide product portfolio of fuse terminal blocks, we also offer the appropriate fuse links. The portfolio includes device protection fuses (miniature fuses) from 5x20 mm up to 10x38 mm, E 14 to E 18 fuse links, as well as automotive fuses and automatic circuit breakers. Gauge rings for the fuse holders round off the overall portfolio.

General ordering data

| | | | |
|------------|----------------------------|-------------------------------------------------------|--|
| Type | G 25/0.25A/M GE | Version | |
| Order No. | 0546900000 | Miniature fuse, medium time-lag, 0.25 A, G-Si. 5 x 25 | |
| GTIN (EAN) | 4008190097370 | | |
| Qty. | 10 ST | | |
| Type | G 25/0.50A/M WS | Version | |
| Order No. | 0510300000 | Miniature fuse, medium time-lag, 0.5 A, G-Si. 5 x 25 | |
| GTIN (EAN) | 4008190018368 | | |
| Qty. | 10 ST | | |

SAKS 3/35 GZ/6.3X32

Weidmüller Interface GmbH & Co. KG
 Klingenbergstraße 26
 D-32758 Detmold
 Germany

www.weidmueller.com

Accessories

| | | |
|------------|----------------------------|------------------------------------------------------|
| Type | G 25/0.80A/M GR | Version |
| Order No. | 0646400000 | Miniature fuse, medium time-lag, 0.8 A, G-Si. 5 x 25 |
| GTIN (EAN) | 4008190060794 | |
| Qty. | 10 ST | |
| Type | G 25/1.00A/M RT | Version |
| Order No. | 0265800000 | Miniature fuse, medium time-lag, 1 A, G-Si. 5 x 25 |
| GTIN (EAN) | 4008190141660 | |
| Qty. | 10 ST | |
| Type | G 25/2.00A/F BL | Version |
| Order No. | 0192700000 | Miniature fuse, quick-acting, 2 A, G-Si. 5 x 25 |
| GTIN (EAN) | 4008190176402 | |
| Qty. | 10 ST | |
| Type | G 25/4.00A/F BR | Version |
| Order No. | 0192800000 | Miniature fuse, quick-acting, 4 A, G-Si. 5 x 25 |
| GTIN (EAN) | 4008190115319 | |
| Qty. | 10 ST | |
| Type | G 25/6.30A/F GN | Version |
| Order No. | 0192900000 | Miniature fuse, quick-acting, 6.3 A, G-Si. 5 x 25 |
| GTIN (EAN) | 4008190135461 | |
| Qty. | 10 ST | |
| Type | G 25/10.0A/M RT | Version |
| Order No. | 0193100000 | Miniature fuse, medium time-lag, 10 A, G-Si. 5 x 25 |
| GTIN (EAN) | 4008190023799 | |
| Qty. | 10 ST | |
| Type | G 20/0.10A/F | Version |
| Order No. | 0430300000 | Miniature fuse, quick-acting, 0.1 A, G-Si. 5 x 20 |
| GTIN (EAN) | 4008190077174 | |
| Qty. | 10 ST | |
| Type | G 20/0.20A/F | Version |
| Order No. | 0430400000 | Miniature fuse, quick-acting, 0.2 A, G-Si. 5 x 20 |
| GTIN (EAN) | 4008190152383 | |
| Qty. | 10 ST | |
| Type | G 20/0.25A/F | Version |
| Order No. | 0430500000 | Miniature fuse, quick-acting, 0.25 A, G-Si. 5 x 20 |
| GTIN (EAN) | 4008190153991 | |
| Qty. | 10 ST | |
| Type | G 20/0.50A/F | Version |
| Order No. | 0430600000 | Miniature fuse, quick-acting, 0.5 A, G-Si. 5 x 20 |
| GTIN (EAN) | 4008190046835 | |
| Qty. | 10 ST | |
| Type | G 20/0.63A/F | Version |
| Order No. | 0439000000 | Miniature fuse, quick-acting, 0.63 A, G-Si. 5 x 20 |
| GTIN (EAN) | 4008190131210 | |
| Qty. | 10 ST | |
| Type | G 20/1.00A/F | Version |
| Order No. | 0430700000 | Miniature fuse, quick-acting, 1 A, G-Si. 5 x 20 |
| GTIN (EAN) | 4008190093877 | |
| Qty. | 10 ST | |
| Type | G 20/1.60A/F | Version |
| Order No. | 0430800000 | Miniature fuse, quick-acting, 1.6 A, G-Si. 5 x 20 |
| GTIN (EAN) | 4008190031503 | |
| Qty. | 10 ST | |

SAKS 3/35 GZ/6.3X32

Weidmüller Interface GmbH & Co. KG
 Klingenbergstraße 26
 D-32758 Detmold
 Germany

www.weidmueller.com

Accessories

| | | |
|------------|----------------------------|----------------------------------------------------|
| Type | G 20/2.00A/F | Version |
| Order No. | 0430900000 | Miniature fuse, quick-acting, 2 A, G-Si. 5 x 20 |
| GTIN (EAN) | 4008190123567 | |
| Qty. | 10 ST | |
| Type | G 20/2.50A/F | Version |
| Order No. | 0431000000 | Miniature fuse, quick-acting, 2.5 A, G-Si. 5 x 20 |
| GTIN (EAN) | 4008190085513 | |
| Qty. | 10 ST | |
| Type | G 20/3.15A/F | Version |
| Order No. | 0431100000 | Miniature fuse, quick-acting, 3.15 A, G-Si. 5 x 20 |
| GTIN (EAN) | 4008190012977 | |
| Qty. | 10 ST | |
| Type | G 20/4.00A/F | Version |
| Order No. | 0431200000 | Miniature fuse, quick-acting, 4 A, G-Si. 5 x 20 |
| GTIN (EAN) | 4008190022983 | |
| Qty. | 10 ST | |
| Type | G 20/5.00A/F | Version |
| Order No. | 0431300000 | Miniature fuse, quick-acting, 5 A, G-Si. 5 x 20 |
| GTIN (EAN) | 4008190185381 | |
| Qty. | 10 ST | |
| Type | G 20/6.30A/F | Version |
| Order No. | 0431400000 | Miniature fuse, quick-acting, 6.3 A, G-Si. 5 x 20 |
| GTIN (EAN) | 4008190086053 | |
| Qty. | 10 ST | |

Custom printing



The Dekafix (DEK) marker is the universal marker for all conductor and plug-in connectors as well as for electronic sub-assemblies. The system is ideal for short number sequences and covers a wide range of ready-printed markers.

Strips for fast installation in only one work step. The printing is easy to read, rich in contrast and available in various widths.

- Large range of ready-to-use markers
- Strips for fast installation
- Terminal markers, suitable for all Weidmüller cable connectors
- Available as blank MultiCard or with standard printing

For custom printing: Please send us a file of our labeling software M-Print PRO or M-Print PRO Online (without installation) for your labeling specifications.

General ordering data

| | | |
|------------|----------------------------|-----------------------------------------------------------|
| Type | DEK 5/6 MC SDR | Version |
| Order No. | 1609830000 | Dekafix, Terminal marker, 5 x 6 mm, Pitch in mm (P): 6.00 |
| GTIN (EAN) | 4008190456603 | Weidmueller, To customer specification |
| Qty. | 200 ST | |

SAKS 3/35 GZ/6.3X32

Weidmüller Interface GmbH & Co. KG
 Klingenbergstraße 26
 D-32758 Detmold
 Germany

Accessories

www.weidmueller.com

Blank



The Dekafix (DEK) marker is the universal marker for all conductor and plug-in connectors as well as for electronic sub-assemblies. The system is ideal for short number sequences and covers a wide range of ready-printed markers.

Strips for fast installation in only one work step. The printing is easy to read, rich in contrast and available in various widths.

- Large range of ready-to-use markers
 - Strips for fast installation
 - Terminal markers, suitable for all Weidmüller cable connectors
 - Available as blank MultiCard or with standard printing
- For custom printing: Please send us a file of our labeling software M-Print PRO or M-Print PRO Online (without installation) for your labeling specifications.

General ordering data

| | | |
|------------|----------------------------|-----------------------------------------------------------|
| Type | DEK 5/6 MC NE WS | Version |
| Order No. | 1609820000 | Dekafix, Terminal marker, 5 x 6 mm, Pitch in mm (P): 6.00 |
| GTIN (EAN) | 4008190203436 | Weidmueller, white |
| Qty. | 1000 ST | |
| Type | DEK 5/8 MC NE WS | Version |
| Order No. | 1856740000 | Dekafix, Terminal marker, 5 x 8 mm, Pitch in mm (P): 8.00 |
| GTIN (EAN) | 4032248400850 | Weidmueller, white |
| Qty. | 800 ST | |

Custom printing



The Dekafix (DEK) marker is the universal marker for all conductor and plug-in connectors as well as for electronic sub-assemblies. The system is ideal for short number sequences and covers a wide range of ready-printed markers.

Strips for fast installation in only one work step. The printing is easy to read, rich in contrast and available in various widths.

- Large range of ready-to-use markers
 - Strips for fast installation
 - Terminal markers, suitable for all Weidmüller cable connectors
 - Available as blank MultiCard or with standard printing
- For custom printing: Please send us a file of our labeling software M-Print PRO or M-Print PRO Online (without installation) for your labeling specifications.

General ordering data

| | | |
|------------|----------------------------|-----------------------------------------------------------|
| Type | DEK 5/8 MC SDR | Version |
| Order No. | 1856750000 | Dekafix, Terminal marker, 5 x 8 mm, Pitch in mm (P): 8.00 |
| GTIN (EAN) | 4032248400867 | Weidmueller, To customer specification |
| Qty. | 160 ST | |

SAKS 3/35 GZ/6.3X32

Weidmüller Interface GmbH & Co. KG
 Klingenbergstraße 26
 D-32758 Detmold
 Germany

www.weidmueller.com

Accessories

Plus



The Dekafix (DEK) marker is the universal marker for all conductor and plug-in connectors as well as for electronic sub-assemblies. The system is ideal for short number sequences and covers a wide range of ready-printed markers.

Strips for fast installation in only one work step. The printing is easy to read, rich in contrast and available in various widths.

- Large range of ready-to-use markers
 - Strips for fast installation
 - Terminal markers, suitable for all Weidmüller cable connectors
 - Available as blank MultiCard or with standard printing
- For custom printing: Please send us a file of our labeling software M-Print PRO or M-Print PRO Online (without installation) for your labeling specifications.

General ordering data

| | | |
|------------|----------------------------|-----------------------------------------------------------|
| Type | DEK 5/8 PLUS MC NE WS | Version |
| Order No. | 1046350000 | Dekafix, Terminal marker, 5 x 8 mm, Pitch in mm (P): 8.00 |
| GTIN (EAN) | 4032248782055 | Weidmueller, white |
| Qty. | 800 ST | |

Custom printing



The Dekafix (DEK) marker is the universal marker for all conductor and plug-in connectors as well as for electronic sub-assemblies. The system is ideal for short number sequences and covers a wide range of ready-printed markers.

Strips for fast installation in only one work step. The printing is easy to read, rich in contrast and available in various widths.

- Large range of ready-to-use markers
 - Strips for fast installation
 - Terminal markers, suitable for all Weidmüller cable connectors
 - Available as blank MultiCard or with standard printing
- For custom printing: Please send us a file of our labeling software M-Print PRO or M-Print PRO Online (without installation) for your labeling specifications.

General ordering data

| | | |
|------------|----------------------------|-----------------------------------------------------------|
| Type | DEK 5/8 PLUS MC SDR | Version |
| Order No. | 1046370000 | Dekafix, Terminal marker, 5 x 8 mm, Pitch in mm (P): 8.00 |
| GTIN (EAN) | 4032248782079 | Weidmueller, To customer specification |
| Qty. | 160 ST | |

SAKS 3/35 GZ/6.3X32

Weidmüller Interface GmbH & Co. KG
 Klingenbergstraße 26
 D-32758 Detmold
 Germany

Accessories

www.weidmueller.com

DEK 5/8



WS/ DEK

MultiMark terminal markers use an innovative composite material made from two components. The hard base contour of the marker snaps securely into the connector. The elastic surface finish makes the marker easy to mount. This specially punched material enables the strips to be stretched to accommodate the slight variations in spacing that tend to add up, especially with long terminal blocks. Another advantage: the excellent printability of the surface material guarantees durable and wear-resistant labelling. A print resolution of 300 dpi also produces a very legible script.

Your benefits with MultiMark

- Firm hold and durable printing
- Continuous strips save installation time
- Easy mounting thanks to an innovative composite material
- Large label field for optimal legibility
- High flexibility thanks to manufacturer independence

General ordering data

| | | | |
|------------|----------------------------|--------------------------------------------------------|--|
| Type | DEK 5/8 MM WS | Version | |
| Order No. | 2007130000 | Dekafix, Terminal marker, 5 x 8 mm, Weidmueller, white | |
| GTIN (EAN) | 4050118392012 | | |
| Qty. | 500 ST | | |

Marker holder



The marker holder offer the possibility of additional mounting of standard markers with a pitch of 5 or 5.1 mm. The angled holders can be optionally snapped together and could be mounted in all standard marking channels of the Klippon® Connect modular terminal blocks. Fitting marker types could be found under the respective accessories of the designation marking holder.

General ordering data

| | | | |
|------------|----------------------------|----------------------------|--|
| Type | BZT 1 WS 10/5 | Version | |
| Order No. | 1805490000 | Accessories, Marker holder | |
| GTIN (EAN) | 4032248270231 | | |
| Qty. | 100 ST | | |
| Type | BZT 1 ZA WS 10/5 | Version | |
| Order No. | 1805520000 | Accessories, Marker holder | |
| GTIN (EAN) | 4032248270248 | | |
| Qty. | 100 ST | | |

SAKS 3/35 GZ/6.3X32

Weidmüller Interface GmbH & Co. KG
 Klingenbergstraße 26
 D-32758 Detmold
 Germany

www.weidmueller.com

Accessories

DEK 5/6



WS/ DEK

MultiMark terminal markers use an innovative composite material made from two components. The hard base contour of the marker snaps securely into the connector. The elastic surface finish makes the marker easy to mount. This specially punched material enables the strips to be stretched to accommodate the slight variations in spacing that tend to add up, especially with long terminal blocks. Another advantage: the excellent printability of the surface material guarantees durable and wear-resistant labelling. A print resolution of 300 dpi also produces a very legible script.

Your benefits with MultiMark

- Firm hold and durable printing
- Continuous strips save installation time
- Easy mounting thanks to an innovative composite material
- Large label field for optimal legibility
- High flexibility thanks to manufacturer independence

General ordering data

| | | | |
|------------|----------------------------|---------|--------------------------------------------------------|
| Type | DEK 5/6 MM WS | Version | |
| Order No. | 2007120000 | | Dekafix, Terminal marker, 5 x 6 mm, Weidmueller, white |
| GTIN (EAN) | 4050118392104 | | |
| Qty. | 600 ST | | |