

## KTB MH 484815 S2N4

**Weidmüller Interface GmbH & Co. KG**  
 Klingenbergstraße 26  
 D-32758 Detmold  
 Germany

[www.weidmueller.com](http://www.weidmueller.com)

### Similar to illustration



Abbildung ähnlich

The Klippon® TB enclosure range provides excellent performance characteristics, even under the most difficult environmental conditions. In addition, it complies with the stricter requirements of potentially explosive atmospheres found specifically in the process or power generation industries. The Klippon® TB MH enclosure range offers further improvements to a product line that is already successfully leading the market.

The Klippon® TB MH enclosure range has the following advantages:

- Available in 22 sizes and 3 standard depths
- Equipped with up to 4 gland plates
- The gasket is protected against compression
- Completely removable padlock tab
- Cover lock outside the sealed zone
- Improved temperature performance
- IP66/IP67 protection
- Completely removable lid – without a tool
- Earthing stud in the cover and base of the enclosure
- Welded mounting feet
- International approvals

### General ordering data

Version	Klippon TB MH (Terminal Box - Multi Hinge), Empty enclosure, stainless steel enclosure, Height: 480 mm, Width: 480 mm, Depth: 150 mm, Gland plates: Bottom, top, left, right, Basic material: Stainless steel 1.4301 (304), untreated, silver
Order No.	<a href="#">1195140003</a>
Type	KTB MH 484815 S2N4
GTIN (EAN)	4050118106411
Qty.	1 items

Technical data

Approvals

Approvals



ROHS	Conform
UL File Number Search	<a href="#">UL Website</a>
Certificate no. (cULus)	E243298

Dimensions and weights

Depth	150 mm	Depth (inches)	5.9055 inch
Height	480 mm	Height (inches)	18.8976 inch
Width	480 mm	Width (inches)	18.8976 inch
Mounting dimension - height	327 mm	Mounting dimension - width	536 mm
Net weight	19892.19 g		

Temperatures

Operating temperature	-60 °C...135 °C	Note: room temperature (service)	Limited to IP66 protection when used in temperatures greater than 105 °C.
-----------------------	-----------------	----------------------------------	---

Environmental Product Compliance

RoHS Compliance Status	Compliant with exemption
RoHS Exemption (if applicable/known)	6c
REACH SVHC	Lead 7439-92-1
SCIP	8d5fcdfe-c58e-44e1-a6b4-74d2bbccc9dd

Cable glands, left

M63	0	M75	0
M12	36	M50	4
M16	20	M32	6
M25	7	M20	17
M40	5		

Cable glands, right

M25	7	M63	0
M75	0	M16	20
M40	5	M50	4
M32	6	M20	17
M12	36		

**KTB MH 484815 S2N4**
**Weidmüller Interface GmbH & Co. KG**

 Klingenbergstraße 26  
 D-32758 Detmold  
 Germany

[www.weidmueller.com](http://www.weidmueller.com)
**Technical data**
**Cable glands, top/bottom**

M20	19	M12	39
M63	0	M40	6
M32	7	M25	8
M50	5	M75	0
M16	22		

**Certificate numbers enclosure**

Certificate No. UL Haz.Loc.	E223792	Declaration of Conformity No. (DoC LVD)	DE PS261X 160412 001ISS03
Certificate No. UL Ord.Loc.	E243298	Certificate No. UL 508A	E223801
Attestation of Conformity No. (AoC)	DE PS261X 160309 001ISS06	Certificate No. UL Terminal Box	E223792
Certificate No. Electronic Box (NEPSI)	2020322303003289	Certificate no. empty enclosure (ECAS)	21-09-25241/ E21-09-053807
Certificate no. empty enclosure (INMETRO)	LMP 21.0016U	Certificate No. (DNV)	TAE000013S
Certificate No. (CCOE)	P461058_1	Certificate no. Terminal Box (INMETRO)	LMP 21.0017
Certificate no. (INMETRO)	IEX13.0007	Certificate No. (IECEX)	IECEXPTB11.0071
Certificate No. (ATEX)	PTB11ATEX2019	Approval conditions	ATEX, CCoE, DNV, IECEX, INMETRO, KC, NEPSI, CCC, UL AEx Class Div., UL AEx Class Zone, cULus
Certificate no. (cULus)	E243298		

**General information**

Material thickness of cover	1.5 mm	Material thickness of flange	3 mm
Material thickness of enclosure	1.5 mm	Operating temperature, max.	135 °C
Operating temperature, min.	-60 °C	Lid attachment	4 hinges and M6 hex-head slotted screws SW10
Standards	DIN EN 62208 - Empty enclosure standard, DIN EN 61373 Class 1B**, DIN EN 15085-2, EN 60079-0, EN 60079-7, EN 60079-31, IEC 60079-0, IEC 60079-7, IEC 60079-31	Surface finish	untreated
Impact resistance	7 J ATEX version, 10 J version standard	AF size	10 mm
Protection degree	IP66, IP67	Basic material	Stainless steel 1.4301 (304)
Seal material	Silicone	Torque for lid screws	2.5 Nm
Integral fixing	4, 6 or 9 stud bolts M6 inner (female) thread	Enclosure attachment	4 welded-on mounting feet with 11 mm holes (2 slotted feet and 2 cross-shaped feet)
Note: protection class	If used in temperature ranges above 105 °C, IP protection is limited to IP 66.	Flange plate mounting	M6 hexagonal head screws 10 SW
Protection class (UL)	Type 3, Type 4X, Type 12	Number of lid screws	4
Gland plates	Bottom, top, left, right	Dimension of box	640x680x240
Access opening: width	421 mm	Opening angle lid	130.00 °
Overall dimensions	502 x 561 x 165	Flange plate	Yes
Max. payload	92 kg	Lid	Yes

**KTB MH 484815 S2N4**

**Weidmüller Interface GmbH & Co. KG**  
 Klingenbergstraße 26  
 D-32758 Detmold  
 Germany

www.weidmueller.com

**Technical data**

Access opening: height	427 mm	Position PE bolts	Enclosure side C
Areas of use	Explosive risk zone, Process industry, Oil and gas industry, Chemical industry, Offshore, Onshore		

**Housing earth**

Earth, enclosure, internal	Welded-on M6 stainless-steel earth stud in enclosure body and lid.		
----------------------------	--	--	--

**horizontal assembly**

WDU 10 / ZDU 10	3x37	WDU 16 / ZDU 16	2x31
WDU 2,5 / ZDU 2,5 / IDU 2,5	4x74	WDU 35 / ZDU 35	2x23
WDU 4 / ZDU 4	3x62	WDU 6 / ZDU 6	3x46

**vertical assembly**

WDU 10 / ZDU 10	2x38	WDU 16 / ZDU 16	2x31
WDU 2,5 / ZDU 2,5 / IDU 2,5	4x75	WDU 35 / ZDU 35	1x23
WDU 4 / ZDU 4	3x62	WDU 6 / ZDU 6	3x47

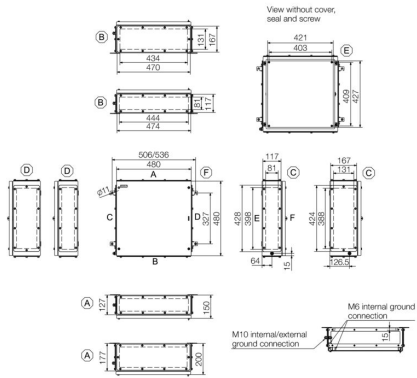
**Important note**

Product information	Minimum order quantity (5 pieces)		
---------------------	-----------------------------------	--	--

**Classifications**

ETIM 8.0	EC002503	ETIM 9.0	EC002503
ETIM 10.0	EC002503	ECLASS 14.0	27-18-05-02
ECLASS 15.0	27-18-05-02		

Dimensioned drawing



**KTB MH 484815 S2N4**

**Weidmüller Interface GmbH & Co. KG**  
 Klingenbergstraße 26  
 D-32758 Detmold  
 Germany

www.weidmueller.com

**Accessories**

**480 x 480mm**



Integrate, expand and customise: The ideal expansion for every application

The consistent structure of accessories for the new Klippon® TB enclosure range means that you can easily adapt the enclosure to the specific requirements of each application.

Mounting plates

Mounting plates, with and without hole patterns, for longitudinal and transverse mounting of DIN mounting rails or components directly onto the mounting plate.

**General ordering data**

Type	KTB MOPL 4848 MSZN	Version
Order No.	<a href="#">1194000000</a>	Klippon TB (Terminal Box), Mounting plate, Height: 425 mm, Width:
GTIN (EAN)	4050118028607	419 mm, Depth: 1.5 mm, Basic material: Sheet steel, galvanized,
Qty.	1 ST	silver
Type	KTB MOPL 4848 S2N	Version
Order No.	<a href="#">1193870000</a>	Klippon TB (Terminal Box), Mounting plate, Height: 425 mm, Width:
GTIN (EAN)	4050118028478	419 mm, Depth: 1.5 mm, Basic material: Stainless steel 1.4301
Qty.	1 ST	(304), untreated, silver
Type	KTB MOPL 4848 MSZN H	Version
Order No.	<a href="#">2022610000</a>	Klippon TB (Terminal Box), Mounting plate, prepunched, Height: 425
GTIN (EAN)	4050118403374	mm, Width: 419 mm, Depth: 1.5 mm, Basic material: Sheet steel,
Qty.	1 ST	galvanized, silver
Type	KTB MOPL 4848 S2N H	Version
Order No.	<a href="#">1257710000</a>	Klippon TB (Terminal Box), Mounting plate, prepunched, Height: 425
GTIN (EAN)	4050118049336	mm, Width: 419 mm, Depth: 1.5 mm, Basic material: Stainless steel
Qty.	1 ST	1.4301 (304), untreated, silver

**Gland plates without earthing studs**



Integrate, expand and customise: The ideal expansion for every application

The consistent structure of accessories for the new Klippon® TB enclosure range means that you can easily adapt the enclosure to the specific requirements of each application.

Flange plates

Flange plates in two thicknesses, for easy replacement of pre-assembl

**General ordering data**

Type	KTB GP XX4815 AB S4 3MM	Version
Order No.	<a href="#">1281110000</a>	Klippon TB (Terminal Box), flange plate, straight, Height: 474 mm,
GTIN (EAN)	4050118071931	Width: 117 mm, Depth: 3 mm, Gland plates: top, Bottom, Basic
Qty.	1 ST	material: Stainless steel 1.4404, electropolished, silver
Type	KTB GP 48XX15 CD S4 3MM	Version
Order No.	<a href="#">1281120000</a>	Klippon TB (Terminal Box), flange plate, straight, Height: 428
GTIN (EAN)	4050118071825	mm, Width: 117 mm, Depth: 3 mm, Gland plates: left, right, Basic
Qty.	1 ST	material: Stainless steel 1.4404, Stainless steel 1.4404 (316L),
		electropolished, silver

**KTB MH 484815 S2N4**

**Weidmüller Interface GmbH & Co. KG**  
 Klingenbergstraße 26  
 D-32758 Detmold  
 Germany

www.weidmueller.com

**Accessories**

**Gland plates made out of stainless steel - 6 mm**



Integrate, expand and customise: The ideal expansion for every application

The consistent structure of accessories for the new Klippon® TB enclosure range means that you can easily adapt the enclosure to the specific requirements of each application.

Flange plates

Flange plates in two thicknesses, for easy replacement of pre-assembl

**General ordering data**

Type	KTB GP XX4815 AB S4 6MM	Version
Order No.	<a href="#">1256530000</a>	Klippon TB (Terminal Box), flange plate, straight, Height: 474 mm,
GTIN (EAN)	4050118095876	Width: 117 mm, Depth: 6 mm, Gland plates: top, Bottom, Basic
Qty.	1 ST	material: Stainless steel 1.4404, electropolished, silver
Type	KTB GP 48XX15 CD S4 6MM	Version
Order No.	<a href="#">1256540000</a>	Klippon TB (Terminal Box), flange plate, straight, Height: 428 mm,
GTIN (EAN)	4050118095883	Width: 117 mm, Depth: 6 mm, Gland plates: left, right, Basic material:
Qty.	1 ST	Stainless steel 1.4404, electropolished, silver

**Gland plates with earthing studs**



Integrate, expand and customise: The ideal expansion for every application

The consistent structure of accessories for the new Klippon® TB enclosure range means that you can easily adapt the enclosure to the specific requirements of each application.

Flange plates

Flange plates in two thicknesses, for easy replacement of pre-assembl

**General ordering data**

Type	KTB GP XX4815 AB S4 PE	Version
Order No.	<a href="#">2023530000</a>	Klippon TB (Terminal Box), flange plate, straight, Height: 474 mm,
GTIN (EAN)	4050118404173	Width: 117 mm, Depth: 3 mm, Gland plates: top, Bottom, Basic
Qty.	1 ST	material: Stainless steel 1.4404, Stainless steel 1.4404 (316L), electropolished, silver
Type	KTB GP 48XX15 CD S4 PE	Version
Order No.	<a href="#">2023540000</a>	Klippon TB (Terminal Box), flange plate, straight, Height: 428
GTIN (EAN)	4050118404159	mm, Width: 117 mm, Depth: 3 mm, Gland plates: left, right, Basic
Qty.	1 ST	material: Stainless steel 1.4404, Stainless steel 1.4404 (316L), electropolished, silver

## KTB MH 484815 S2N4

**Weidmüller Interface GmbH & Co. KG**  
 Klingenbergstraße 26  
 D-32758 Detmold  
 Germany

www.weidmueller.com

## Accessories

### Stainless steel 1.4301



**Integrate, expand and customise:** The ideal expansion for every application

The consistent structure of accessories for the new Klippon® TB enclosure range means that you can easily adapt the enclosure to the specific requirements of each application.

#### Rain Covers

The rain cover provides an ideal, additional level of protection for the enclosure if it is installed in unusual climatic zones with, for instance, very heavy rainfall or extreme levels of direct sunlight.

### General ordering data

Type	KTB RNHD 484815 R	Version	
Order No.	<a href="#">1281470000</a>	Klippon TB (Terminal Box), Rain hood, Height: 53.4 mm, Width: 485	
GTIN (EAN)	4050118072112	mm, Depth: 160.5 mm, Basic material: Stainless steel 1.4301, Mirror	
Qty.	1 ST	polished, silver	

### Type label holder



**Integrate, expand and customise:** The ideal expansion for every application

The consistent structure of accessories for the new Klippon® TB enclosure range means that you can easily adapt the enclosure to the specific requirements of each application.

#### Nameplate holders

There are a variety of designed label holders available for prominent display as required and for additional nameplates as needed.

### General ordering data

Type	TPSDHA KTB 100X25 S2 2R	Version	
Order No.	<a href="#">1257640000</a>	Klippon TB (Terminal Box), Ratings plate holder, Riveted, Height: 25	
GTIN (EAN)	4050118070354	mm, Width: 141 mm, Depth: 16.5 mm, Basic material: Stainless steel	
Qty.	1 ST	1.4301, Stainless steel 1.4301 (304), Mirror polished, silver	
Type	TPSDHA KTB 130X50 S2 R	Version	
Order No.	<a href="#">1283450000</a>	Klippon TB (Terminal Box), Ratings plate holder, Riveted, Height: 50	
GTIN (EAN)	4050118073621	mm, Width: 171 mm, Depth: 16.5 mm, Basic material: Stainless steel	
Qty.	1 ST	1.4301, Stainless steel 1.4301 (304), Mirror polished, silver	
Type	TPSDHA KTB 70X70M3 S2 R	Version	
Order No.	<a href="#">1279320000</a>	Klippon TB (Terminal Box), Ratings plate holder, Riveted, Height: 70	
GTIN (EAN)	4050118070101	mm, Width: 70 mm, Depth: 20 mm, Basic material: Stainless steel	
Qty.	1 ST	1.4301, Stainless steel 1.4301 (304), Mirror polished, silver	

## KTB MH 484815 S2N4

**Weidmüller Interface GmbH & Co. KG**

Klingenbergstraße 26  
D-32758 Detmold  
Germany

[www.weidmueller.com](http://www.weidmueller.com)

## Accessories

### Installation material



Integrate, expand and customise - the perfect supplement to every application

The fully structured range of system accessories for the new Klippon® TB enclosure series allows you to easily adapt the enclosures to meet the specific requirements of every application.

**Mounting hardware kits**

Mounting hardware kits are available for quick and easy installation of type label holders, document holders and rain hoods.

The label fastening set – SD is required to install a plastic (Trafolyte) ID or type label. With the aid of this set can you mount the ID or type label directly on the enclosure cover. The label fastening set has been specially developed for this purpose. Only by using this fastening set can you ensure that there will be no leaks into the enclosure or damage to the label.

The universal fastening set – TPSD has been developed to enable secure and quick installation of type label holders, rain covers or document holders, for example. By using this fastening set, the risk of leaks can be minimised, if not avoided.

### General ordering data

Type	SD FIXING SET	Version
Order No.	<a href="#">1285200000</a>	Klippon TB (Terminal Box), Identification plate fixing set, Height: 12
GTIN (EAN)	4050118075472	mm, Width: 12 mm, Depth: 16.4 mm, Basic material: Stainless steel,
Qty.	1 ST	rust-proof, untreated, silver
Type	TPSD FIXING SET KTB	Version
Order No.	<a href="#">1252190000</a>	Klippon TB (Terminal Box), Type plate fixings set, Basic material:
GTIN (EAN)	4050118043969	Stainless steel, rust-proof, untreated, silver
Qty.	20 ST	

### Earthing stud



Integrate, expand and customise: The ideal expansion for every application

The consistent structure of accessories for the new Klippon® TB enclosure range means that you can easily adapt the enclosure to the specific requirements of each application.

**Earthing bolt**

Earthing bolts to exchange as a complete component in two versions – brass and stainless steel.

### General ordering data

Type	PEBZ M10 KTB BR SET	Version
Order No.	<a href="#">1192680000</a>	Klippon TB (Terminal Box), Earthing stud, Miscellaneous, Height:
GTIN (EAN)	4032248974641	21 mm, Width: 21 mm, Depth: 48.7 mm, Basic material: Brass,
Qty.	1 ST	untreated, silver

## KTB MH 484815 S2N4

**Weidmüller Interface GmbH & Co. KG**  
 Klingenbergstraße 26  
 D-32758 Detmold  
 Germany

www.weidmueller.com

## Accessories

Type	PEBZ M10 KTB S4 SET	Version
Order No.	<a href="#">1192690000</a>	Klippon TB (Terminal Box), Earthing stud, Miscellaneous, Height: 21
GTIN (EAN)	4032248974658	mm, Width: 21 mm, Depth: 48.7 mm, Basic material: Stainless steel
Qty.	1 ST	1.4404 (316L), untreated, silver

## Document holders



Integrate, expand and customise - the perfect supplement to every application

The fully structured range of system accessories for the new Klippon® TB enclosure series allows you to easily adapt the enclosures to meet the specific requirements of every application.

Document holders

Document holders for the proper storage of documents in the enclosure

## General ordering data

Type	DOHA KTB A6 S2 R	Version
Order No.	<a href="#">1252780000</a>	Klippon TB (Terminal Box), Document holders, Riveted, Height: 110
GTIN (EAN)	4050118045512	mm, Width: 130 mm, Depth: 20 mm, Basic material: Stainless steel
Qty.	1 ST	1.4301, Stainless steel 1.4301 (304), Mirror polished, silver
Type	DOHA KTB A5 S2 R	Version
Order No.	<a href="#">1252750000</a>	Klippon TB (Terminal Box), Document holders, Riveted, Height: 150
GTIN (EAN)	4050118045390	mm, Width: 180 mm, Depth: 20 mm, Basic material: Stainless steel
Qty.	1 ST	1.4301, Stainless steel 1.4301 (304), Mirror polished, silver
Type	DOHA KTB A4 S2 R	Version
Order No.	<a href="#">1252730000</a>	Klippon TB (Terminal Box), Document holders, Riveted, Height: 200
GTIN (EAN)	4050118045383	mm, Width: 240 mm, Depth: 20 mm, Basic material: Stainless steel
Qty.	1 ST	1.4301, Stainless steel 1.4301 (304), Mirror polished, silver

## Grounding strap

The fully structured range of system accessories for the new Klippon® TB enclosure series allows you to easily adapt the enclosures to meet the specific requirements of every application. The following options are available:

- Closure Elements
- Document holders
- Earthing stud
- Gland plates
- Installation material
- Mounting plates
- Rain hoods
- Spacer
- Terminal rails
- Type label holder

## General ordering data

Type	PECD WIRE 6/200/D6 SET	Version
Order No.	<a href="#">2475490000</a>	Klippon TB (Terminal Box), Grounding strap, Sscrewed, Basic material:
GTIN (EAN)	4050118487206	Steel, Green/yellow
Qty.	1 ST	

## KTB MH 484815 S2N4

**Weidmüller Interface GmbH & Co. KG**  
 Klingenbergstraße 26  
 D-32758 Detmold  
 Germany

www.weidmueller.com

## Accessories

### Stainless steel 1.4404 (316L)



**Integrate, expand and customise:** The ideal expansion for every application

The consistent structure of accessories for the new Klippon® TB enclosure range means that you can easily adapt the enclosure to the specific requirements of each application.

#### Rain Covers

The rain cover provides an ideal, additional level of protection for the enclosure if it is installed in unusual climatic zones with, for instance, very heavy rainfall or extreme levels of direct sunlight.

#### General ordering data

Type	KTB RNHD XX4815 S4E R	Version	
Order No.	<a href="#">1314220000</a>	Klippon TB (Terminal Box), Rain hood, Height: 53.4 mm, Width: 485	
GTIN (EAN)	4050118117493	mm, Depth: 160.5 mm, Basic material: Stainless steel 1.4404 (316L),	
Qty.	1 ST	electropolished, silver	

### Depth 7.5 mm



**Integrate, expand and customise:** The ideal expansion for every application

The consistent structure of accessories for the new Klippon® TB enclosure range means that you can easily adapt the enclosure to the specific requirements of each application.

#### Terminal rails

The mounting rails are available in two sizes for mounting DIN rails (e.g. electronics, terminals) components in the enclosures.

#### General ordering data

Type	TS35X7.5 ST KTB4848 HOR	Version	
Order No.	<a href="#">8000006725</a>	Rail, TS 35, TS 35 x 7.5, Width: 419 mm, without slot, Steel,	
GTIN (EAN)	4050118652987	galvanized, chromium-plated	
Qty.	20 ST		
Type	TS35X7.5 ST KTB4848 VER	Version	
Order No.	<a href="#">8000006714</a>	Rail, TS 35, TS 35 x 7.5, Width: 425 mm, without slot, Steel,	
GTIN (EAN)	4050118652871	galvanized, chromium-plated	
Qty.	20 ST		

### Mounting plates



Mounting plates, with and without hole patterns, for longitudinal and transverse mounting of DIN mounting rails or components directly onto the mounting plate.

## KTB MH 484815 S2N4

**Weidmüller Interface GmbH & Co. KG**  
 Klingenbergstraße 26  
 D-32758 Detmold  
 Germany

www.weidmueller.com

## Accessories

### General ordering data

Type	GFSC M5X10 TX20 SET	Version
Order No.	<a href="#">1274150000</a>	Klippon EB (Essential Box), Mounting screw, Height: 13.3 mm, Width:
GTIN (EAN)	4050118063820	8.5 mm, Depth: 8.5 mm, Basic material: Steel, galvanized, galvanic
Qty.	1 ST	zinc plated and passivated, silver

### Depth 15 mm



**Integrate, expand and customise:** The ideal expansion for every application

The consistent structure of accessories for the new Klippon® TB enclosure range means that you can easily adapt the enclosure to the specific requirements of each application.

**Terminal rails**

The mounting rails are available in two sizes for mounting DIN rails (e.g. electronics, terminals) components in the enclosures.

### General ordering data

Type	TS35X15 ST KTB4848 HOR	Version
Order No.	<a href="#">8000073119</a>	Rail, TS 35, TS 35 x 15, Width: 419 mm, without slot, Steel, galvanic
GTIN (EAN)	4064675340751	zinc plated and passivated
Qty.	20 ST	
Type	TS35X15 ST KTB4848 VER	Version
Order No.	<a href="#">8000073120</a>	Rail, TS 35, TS 35 x 15, Width: 425 mm, without slot, Steel, galvanic
GTIN (EAN)	4064675340768	zinc plated and passivated
Qty.	20 ST	

### Installation material



**Integrate, expand and customise - the perfect supplement** to every application

The fully structured range of system accessories for the new Klippon® TB enclosure series allows you to easily adapt the enclosures to meet the specific requirements of every application.

**Mounting hardware kits**

Mounting hardware kits are available for quick and easy installation of type label holders, document holders and rain hoods.

The label fastening set – SD is required to install a plastic (Trafolyte) ID or type label. With the aid of this set can you mount the ID or type label directly on the enclosure cover. The label fastening set has been specially developed for this purpose. Only by using this fastening set can you ensure that there will be no leaks into the enclosure or damage to the label.

The universal fastening set – TPSD has been developed to enable secure and quick installation of type label holders, rain covers or document holders, for example. By using this fastening set, the risk of leaks can be minimised, if not avoided.

## KTB MH 484815 S2N4

**Weidmüller Interface GmbH & Co. KG**  
Klingenbergstraße 26  
D-32758 Detmold  
Germany

[www.weidmueller.com](http://www.weidmueller.com)

## Accessories

### General ordering data

Type	FKSC M6X8 D9/SW3	Version	
Order No.	<a href="#">064260000</a>	Klippon TB (Terminal Box), Mounting screw, Basic material: Steel	
GTIN (EAN)	4008190058258		
Qty.	50 ST		