

**IE-FCI-PWB-FR/B/CZ****Weidmüller Interface GmbH & Co. KG**

Klingenbergstraße 26

D-32758 Detmold

Germany

www.weidmueller.com



FrontCom® Vario integrates multiple functions in only one single frame. The system is easy to install and you can select from a wide range of data, signal and power modules. In addition to being extremely compact, FrontCom® Vario offers a number of unique product features that will make your project planning and work activities secure, fast and future-proof. Furthermore, the FrontCom® Vario system has an attractive housing design that, by the way, offers highest impact-resistance and fully meets the requirements of IP 65 protection class.

**General ordering data**

Version	FrontCom, Insert Power large, Type E, Socket connector, FR, CZ
Order No.	<a href="#">2426700000</a>
Type	IE-FCI-PWB-FR/B/CZ
GTIN (EAN)	4050118435139
Qty.	1 items



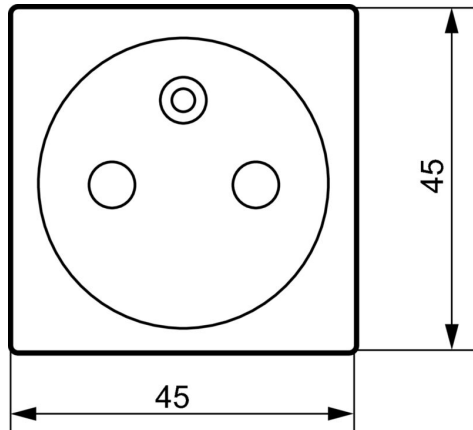
## Technical data

### Classifications

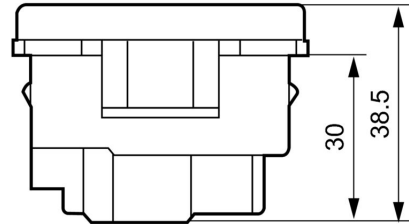
ETIM 8.0	EC001121	ETIM 9.0	EC001121
ETIM 10.0	EC001121	ECLASS 14.0	27-18-28-92
ECLASS 15.0	27-18-28-92		

**Drawings**

**Dimensioned drawing**



**Dimensioned drawing**



## IE-FCI-PWB-FR/B/CZ

**Weidmüller Interface GmbH & Co. KG**  
Klingenbergstraße 26  
D-32758 Detmold  
Germany

[www.weidmueller.com](http://www.weidmueller.com)

## Accessories

### Rail adaptor for socket inserts



At Weidmüller you can get everything you need from one source - including accessories for Industrial Ethernet.

The benefits for you:

- tools
- testing instruments
- cable bushings
- cabinet connections
- markers
- dust protection
- power packs
- overvoltage protection

### General ordering data

Type	IE-DINRAIL-AD-PWB	Version	
Order No.	<a href="#">2534680000</a>		
GTIN (EAN)	4050118546354		
Qty.	1 ST		