

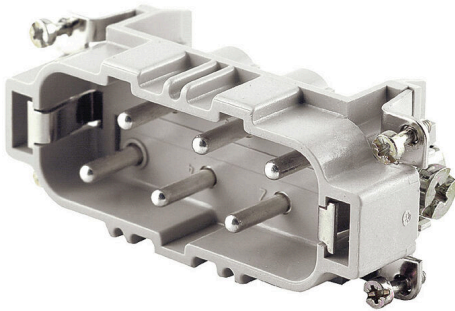
HDC HSB 6 MS 7 - 12**Weidmüller Interface GmbH & Co. KG**

Klingenbergstraße 26

D-32758 Detmold

Germany

www.weidmueller.com



The HSB series enables you to carry 35A per contact simultaneously. Assembly with screw connections, for secure and reliable connections.

The wire connection level is designed for screw connections. All screw connection elements are equipped with wire protection.

General ordering data

Version	HDC insert, Male, 400 V, 35 A, Number of poles: 6, Screw connection, Installation size: 6
Order No.	1498800000
Type	HDC HSB 6 MS 7 - 12
GTIN (EAN)	4008 19007 1875
Qty.	1 items

HDC HSB 6 MS 7 - 12

Weidmüller Interface GmbH & Co. KG
 Klingenbergstraße 26
 D-32758 Detmold
 Germany

www.weidmueller.com

Technical data

Approvals

Approvals



ROHS	Conform
UL File Number Search	UL Website
Certificate No. (cURus)	E92202

Dimensions and weights

Depth	84.5 mm	Depth (inches)	3.3268 inch
Height	34 mm	Height (inches)	1.3386 inch
Width	34 mm	Width (inches)	1.3386 inch
Net weight	71.28 g		

Temperatures

Limit temperature	-40 °C ... 125 °C
-------------------	-------------------

Environmental Product Compliance

RoHS Compliance Status	Compliant with exemption
RoHS Exemption (if applicable/known)	6c
REACH SVHC	Lead 7439-92-1, Potassium perfluorobutane sulfonate 29420-49-3
SCIP	e98b2b24-ba23-41bf-8d19-Odda3647412f

Chemical resistance	Substance	Acetone
	Chemical resistance	Resistant
	Substance	Ammonia, watery
	Chemical resistance	Conditionally resistant
	Substance	Petrol
	Chemical resistance	Resistant
	Substance	Benzene
	Chemical resistance	Resistant
	Substance	Diesel oil
	Chemical resistance	Conditionally resistant
	Substance	Acetic acid, concentrated
	Chemical resistance	Resistant
	Substance	Potassium hydroxide
	Chemical resistance	Conditionally resistant
	Substance	Methanol
	Chemical resistance	Conditionally resistant
	Substance	Motor oil
	Chemical resistance	Conditionally resistant
	Substance	Lye, diluted
	Chemical resistance	Resistant
Substance	Hydrochlorofluorocarbons	
Chemical resistance	Conditionally resistant	
Substance	Outdoor use	
Chemical resistance	Conditionally resistant	

Dimensions

Width	34 mm	Total length base	84.5 mm
Height of plug	34 mm		

HDC HSB 6 MS 7 - 12

Weidmüller Interface GmbH & Co. KG
 Klingenbergstraße 26
 D-32758 Detmold
 Germany

www.weidmueller.com

Technical data

General data

Number of poles	6		
Plugging cycles, silver	≥ 500		
Plugging cycles, gold	≥ 500		
Type of connection	Screw connection		
Installation size	6		
UL 94 flammability rating	V-0		
Volume resistance	≤2 mΩ		
Colour	beige		
Insulation resistance	1010 Ω		
Insulating material	PC glass-fibre reinforced (UL-listed and railway-certified)		
Insulating material group	IIIa		
Conductor cross-section	6 mm ²		
Surface finish	Silver passivated		
Max. torque for main contact	1.5 Nm		
Type	Male		
Pollution severity	3		
Basic material	Copper alloy		
Min. torque for main contact	1.2 Nm		
Series	HSB		
Rated voltage (DIN EN 61984)	400 V		
Rated voltage according to UL/CSA	600 V AC/DC		
Rated impulse voltage (DIN EN 61984)	6 kV		
Rated current (DIN EN 61984)	35 A		
Rated current (UR)	Wire connection cross section AWG	AWG 10	
	Rated current	35 A	
	Wire connection cross section AWG	AWG 12	
	Rated current	8 A	
	Wire connection cross section AWG	AWG 14	
	Rated current	8 A	
	Wire connection cross section AWG	AWG 16	
	Rated current	8 A	
	Wire connection cross section AWG	AWG 18	
	Rated current	8 A	
	Wire connection cross section AWG	AWG 20	
	Rated current	8 A	
	Rated current (cUR)	Wire connection cross section AWG	AWG 10
		Rated current	8 A
Wire connection cross section AWG		AWG 12	
Rated current		8 A	
Wire connection cross section AWG		AWG 14	
Rated current		8 A	
Wire connection cross section AWG		AWG 16	
Rated current		8 A	
Wire connection cross section AWG		AWG 18	
Rated current		8 A	
Wire connection cross section AWG		AWG 20	
Rated current		8 A	
Free from halogens		true	
Low smoke acc. DIN EN 45545-2		Yes	
BG	6		

Connection data PE

Connection type PE	Screw connection	Blade size, slotted (PE connection)	1 x 5.5
Stripping length PE connection	10 mm	Tightening torque, max. PE connection	2.5 Nm

HDC HSB 6 MS 7 - 12

Weidmüller Interface GmbH & Co. KG
 Klingenbergstraße 26
 D-32758 Detmold
 Germany

www.weidmueller.com

Technical data

Tightening torque, min. PE connection	2 Nm	Fixing screw	M 5
Rated cross-section	6 mm ²	Wire cross section, AWG (PE), min.	AWG 20
Wire cross section, AWG (PE), max.	AWG 10		

Version

Blade size, slotted (screw connection)	SD 0.8 x 4.0	Wire connection cross section AWG, max.	AWG 10
Stripping length, rated connection	11 mm	Type of connection	Screw connection
Installation size	6	Volume resistance	≤2 mΩ
Clamping screw	M 4	Blade size	size PZ 1
Wire connection cross section AWG, min.	AWG 20	Wire cross-section, solid, max.	6 mm ²
Wire cross-section, solid, min.	0.5 mm ²	Wire connection cross-section, finely stranded with wire-end ferrules DIN 46228/4, max.	6 mm ²
Wire connection cross-section, finely stranded with wire-end ferrules DIN 46228/4, min.	0.5 mm ²	Wire connection cross section, finely stranded, max.	6 mm ²
Wire connection cross section, finely stranded, min.	0.5 mm ²	Conductor cross-section, max.	6 mm ²
Conductor cross-section, min.	0.5 mm ²	Surface finish	Silver passivated
Max. torque for main contact	1.5 Nm	Basic material	Copper alloy
Min. torque for main contact	1.2 Nm	BG	6

Classifications

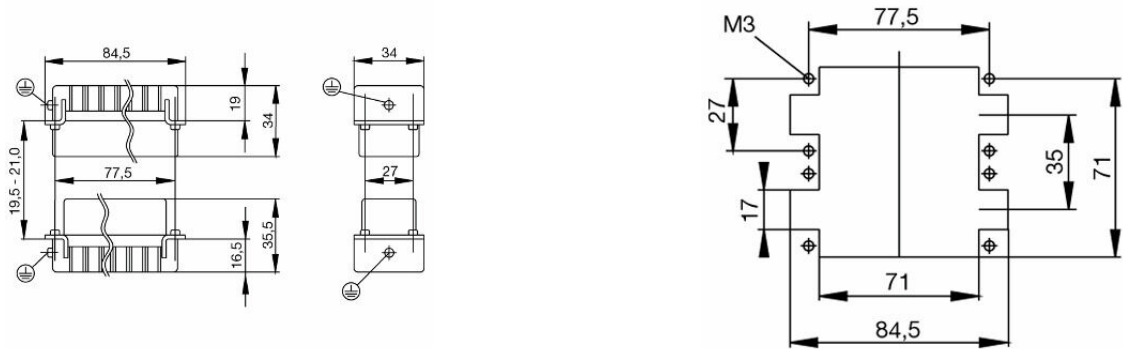
ETIM 8.0	EC000438	ETIM 9.0	EC000438
ETIM 10.0	EC000438	ECLASS 14.0	27-44-02-05
ECLASS 15.0	27-44-02-05		

HDC HSB 6 MS 7 - 12

Weidmüller Interface GmbH & Co. KG
Klingenbergstraße 26
D-32758 Detmold
Germany

Drawings

www.weidmueller.com



HDC HSB 6 MS 7 - 12

Weidmüller Interface GmbH & Co. KG
 Klingenbergstraße 26
 D-32758 Detmold
 Germany

www.weidmueller.com

Accessories

Slotted screwdriver



VDE insulated slot-head screwdriver, SDI DIN 7437, ISO 2380/2, drive output acc. to DIN 5264, ISO 2380/1.
 SoftFinish grip

General ordering data

Type	SDIS 0.6X3.5X100	Version
Order No.	9008390000	Screwdriver, Screwdriver
GTIN (EAN)	4032248056354	
Qty.	1 ST	
Type	SDS 0.6X3.5X100	Version
Order No.	9008330000	Screwdriver, Screwdriver
GTIN (EAN)	4032248056286	
Qty.	1 ST	
Type	SDIS 0.8X4.0X100	Version
Order No.	9008400000	Screwdriver, Screwdriver
GTIN (EAN)	4032248056361	
Qty.	1 ST	
Type	SDS 0.8X4.5X125	Version
Order No.	9009020000	Screwdriver, Screwdriver
GTIN (EAN)	4032248266883	
Qty.	1 ST	

Crosshead screwdriver Pozidriv



VDE insulated crosshead screwdriver type Pozidriv SDIK PZ DIN 7438, ISO 8764/2-PZ, output to ISO 8764-PZ,
 SoftFinish grip

General ordering data

Type	SDIK PZ1	Version
Order No.	9008900000	Screwdriver, Screwdriver
GTIN (EAN)	4032248266685	
Qty.	1 ST	
Type	SDK PZ1	Version
Order No.	9008530000	Screwdriver, Screwdriver
GTIN (EAN)	4032248056521	
Qty.	1 ST	

HDC HSB 6 MS 7 - 12

Weidmüller Interface GmbH & Co. KG
 Klingenbergstraße 26
 D-32758 Detmold
 Germany

www.weidmueller.com

Accessories

Slotted screwdriver



VDE insulated slot-head screwdriver, SDI DIN 7437, ISO 2380/2, drive output acc. to DIN 5264, ISO 2380/1. SoftFinish grip

General ordering data

Type	SDIS 1.0X5.5X125	Version	
Order No.	9008410000	Screwdriver, Screwdriver	
GTIN (EAN)	4032248056378		
Qty.	1 ST		
Type	SDS 1.0X5.5X150	Version	
Order No.	9008350000	Screwdriver, Screwdriver	
GTIN (EAN)	4032248056316		
Qty.	1 ST		

Crosshead screwdriver Pozidriv



VDE insulated crosshead screwdriver type Pozidriv SDIK PZ DIN 7438, ISO 8764/2-PZ, output to ISO 8764-PZ, SoftFinish grip

General ordering data

Type	SDIK PZ2	Version	
Order No.	9008890000	Screwdriver, Screwdriver	
GTIN (EAN)	4032248266661		
Qty.	1 ST		
Type	SDK PZ2	Version	
Order No.	9008540000	Screwdriver, Screwdriver	
GTIN (EAN)	4032248056538		
Qty.	1 ST		

HDC HSB 6 MS 7 - 12

Weidmüller Interface GmbH & Co. KG
Klingenbergstraße 26
D-32758 Detmold
Germany

www.weidmueller.com

Accessories

DSTV



Various accessories are available for our inserts. This includes coding elements for the inserts.

General ordering data

Type	DSTV COBU5	Version	
Order No.	1471500000	Heavy-duty connectors, Accessories, Coding element	
GTIN (EAN)	4008190178543		
Qty.	100 ST		
Type	DSTV COST4	Version	
Order No.	1471300000	Heavy-duty connectors, Accessories, Coding System	
GTIN (EAN)	4008190017354		
Qty.	100 ST		