

IE-CD-V14MRJ-FJ

Weidmüller Interface GmbH & Co. KG
Klingenbergstraße 26
D-32758 Detmold
Germany

www.weidmueller.com



Junction box / coupling, design for FreeCon PushPull
plug-in connectors ver. 14 according to IEC 61076-3-117

General ordering data

| | |
|------------|--|
| Version | Junction box, FreeCon, RJ45 module, IP65 |
| Order No. | 1068880000 |
| Type | IE-CD-V14MRJ-FJ |
| GTIN (EAN) | 403224882402 1 |
| Qty. | 1 items |

IE-CD-V14MRJ-FJ

Weidmüller Interface GmbH & Co. KG

Klingenbergstraße 26

D-32758 Detmold

Germany

www.weidmueller.com

Technical data

Approvals

Approvals



ROHS Conform

UL File Number Search [UL Website](#)

Certificate no. (cULus) E316369

Dimensions and weights

| | | | |
|------------|---------|-----------------|-------------|
| Depth | 100 mm | Depth (inches) | 3.937 inch |
| Height | 52 mm | Height (inches) | 2.0472 inch |
| Width | 41 mm | Width (inches) | 1.6142 inch |
| Net weight | 316.8 g | | |

Temperatures

| | | |
|--------------------------|-----------------------|----------------|
| Storage temperature | Operating temperature | -40 °C...70 °C |
| Installation temperature | | |

Environmental Product Compliance

| | |
|--------------------------------------|--------------------------------------|
| RoHS Compliance Status | Compliant with exemption |
| RoHS Exemption (if applicable/known) | 6c |
| REACH SVHC | Lead 7439-92-1 |
| SCIP | 67cf1078-beca-4687-860b-dc475a6ec24a |

General data

| | | | |
|-------------------|--------|-----------------------|--|
| Colour | silver | Housing main material | Aluminium profile, Cover: die-cast zinc, painted |
| Protection degree | IP65 | Wiring | PROFINET |

General standards

| | | | |
|---|--|---|-----------|
| Connector standard | IEC 61076-3-117 Var. 14, IEC 60603-7-5 | UL standard for communication accessories | UL 1863 |
| Application-specific communication cable facilities | PROFINET installation instructions | IP protection classes | IEC 60529 |
| Certificate no. (cULus) | E316369 | | |

Technical data RJ45 module

| | | | |
|--|--|--|-----------------------|
| Wire cross-section, finely stranded, max. AWG 22 (AWG) | Wire cross-section, finely stranded, min. AWG 26 (AWG) | | |
| Wiring | PROFINET | Category (RJ45 module) | Cat.5 (ISO/IEC 11801) |
| Plugging cycles (RJ45 module) | 750 | Insulation resistance (RJ45 module) | > 500 MΩ |
| Shielding (RJ45 module) | 360° shield contact | Connection 2 (RJ45 module) | RJ45 |
| Housing base material (RJ45 module) | Zinc diecast | Sheath diameter, max. (RJ45 module) | 10 mm |
| Contact resistance (RJ45 module) | ≤ 20 mΩ | Plugging force (RJ45 module) | ≤ 30 N |
| Current capacity (RJ45 module) | 1 A | Dielectric strength, contact - shielding (RJ45 module) | ≤ 1500 V DC |
| Dielectric strength, contact - contact (RJ45 module) | ≤ 1000 V DC | Colour (RJ45 module) | silver |

IE-CD-V14MRJ-FJ

Weidmüller Interface GmbH & Co. KG
Klingenbergstraße 26
D-32758 Detmold
Germany

www.weidmueller.com

Technical data

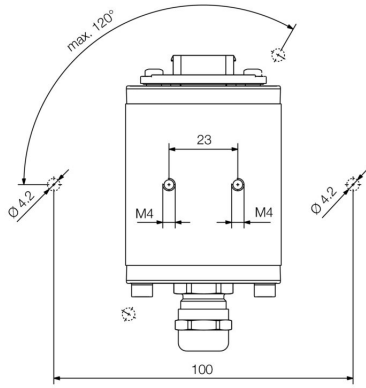
| | | | |
|-------------------------------------|------|-------------------------------|------------------|
| Connection 1 (RJ45 module) | IDC | Contact surface (RJ45 module) | Gold over nickel |
| Sheath diameter, min. (RJ45 module) | 5 mm | | |

Classifications

| | | | |
|-------------|-------------|-------------|-------------|
| ETIM 8.0 | EC002597 | ETIM 9.0 | EC002597 |
| ETIM 10.0 | EC002597 | ECLASS 14.0 | 27-44-03-18 |
| ECLASS 15.0 | 27-44-03-18 | | |

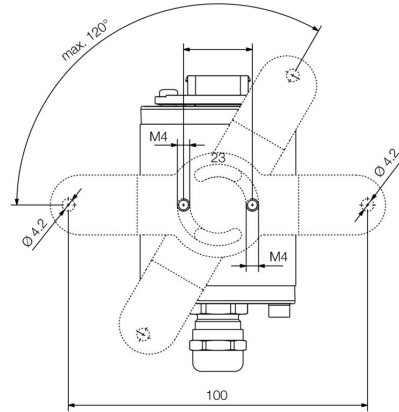
Drawings

Dimensioned drawing



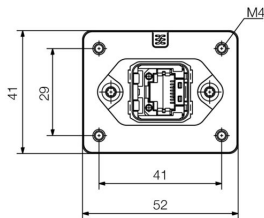
Bottom view

Dimensioned drawing



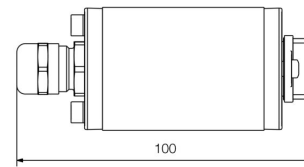
Bottom view with mounting foot

Dimensioned drawing



Front view

Dimensioned drawing



Side view

IE-CD-V14MRJ-FJ

Weidmüller Interface GmbH & Co. KG
 Klingenbergstraße 26
 D-32758 Detmold
 Germany

www.weidmueller.com

Accessories

Mounting foot for FreeCon



At Weidmüller you can get everything you need from one source - including accessories for Industrial Ethernet.

The benefits for you:

- tools
- testing instruments
- cable bushings
- cabinet connections
- markers
- dust protection
- power packs
- overvoltage protection

General ordering data

| | | | |
|------------|----------------------------|---------|------------------------------|
| Type | IE-CD-MA | Version | |
| Order No. | 1099580000 | Version | Mounting foot, FreeCon, IP65 |
| GTIN (EAN) | 4032248874040 | | |
| Qty. | 10 ST | | |

Dust caps



For protecting your devices against dust and dirt.

General ordering data

| | | | |
|------------|----------------------------|---------|--|
| Type | IE-BP-V14P | Version | |
| Order No. | 1058310000 | Version | Flange-mounted housing, protective cap |
| GTIN (EAN) | 4032248799404 | | |
| Qty. | 10 ST | | |

Sets - RJ45



PushPull plug-in connector set according to IEC 61076-3-117 ver.14 (PROFINET), metal incl. RJ45 insert

IE-CD-V14MRJ-FJ

Weidmüller Interface GmbH & Co. KG
 Klingenbergstraße 26
 D-32758 Detmold
 Germany

www.weidmueller.com

Accessories

General ordering data

| | | | |
|------------|----------------------------|---|--|
| Type | IE-PS-V14M-RJ45-FH-P | Version | |
| Order No. | 1012170000 | Plug insert RJ45 tool-free, Variant 14 metal, Cat.5 (ISO/IEC 11801) | |
| GTIN (EAN) | 4032248719815 | | |
| Qty. | 10 ST | | |

Dragline cable Cat.5 PUR - RJ45 V14 IP67



Assembled IE cables, PROFINET, Cat. 5, PUR, green, drag-chain compatible, PushPull plug-in connector according to IEC 61076-3-117 ver.14

General ordering data

| | | | |
|------------|----------------------------|--|--|
| Type | IE-C5DD4UG0010A2EA2E-X | Version | |
| Order No. | 1119730010 | Dragline cable, PROFINET, RJ45 IP 67 PushPull V14 metal, RJ45 IP | |
| GTIN (EAN) | 4032248985463 | 67 PushPull V14 metal, Cat.5 (ISO/IEC 11801) / Cat.5e (TIA T568-B), PUR, 1 m | |
| Qty. | 1 ST | | |