

## SAI-H3-M12-L-SI

**Weidmüller Interface GmbH & Co. KG**  
Klingenbergstraße 26  
D-32758 Detmold  
Germany

[www.weidmueller.com](http://www.weidmueller.com)



### General ordering data

Version	Y connector
Order No.	<a href="#">3099300000</a>
Type	SAI-H3-M12-L-SI
GTIN (EAN)	4099987133951
Qty.	1 items

## SAI-H3-M12-L-SI

Weidmüller Interface GmbH &amp; Co. KG

Klingenbergstraße 26

D-32758 Detmold

Germany

www.weidmueller.com

## Technical data

## Approvals

Approvals



ROHS Conform

## Dimensions and weights

Net weight 50 g

## Environmental Product Compliance

RoHS Compliance Status Compliant without exemption

REACH SVHC No SVHC above 0.1 wt%

## Connection data

Group outlet - plug-in connector	M12 pin	Single outlet 1 - plug-in connector	M12 socket
Single outlet 2 - plug-in connector	M12 socket		

## Technical data customisable plug-in connectors

Number of poles	4	Coding	L-coded
Contact surface	Gold-plated	Housing main material	TPU
Insulation resistance	≥ 100 MΩ	Contact material	CuZn
Nominal voltage	63 V	Nominal current	16 A
Protection degree	IP65	Plugging cycles	≥ 100
Pollution severity	3	Cable gland	M 12
Shield connection	Yes	Threaded ring material	Brass, nickel-plated
Temperature range of housing	-40 ... +85 °C		

## Standards

Connector standard IEC 61076-2-111

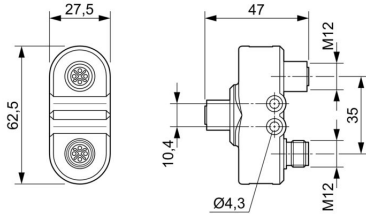
## General data

Number of poles	4	Coding	L-coded
Contact material, socket	CuZn	Contact material, pin	CuZn
Contact surface	Gold-plated	Housing main material	TPU
Insulation resistance	≥ 100 MΩ	Contact material	CuZn
Nominal voltage	63 V	Nominal current	16 A
Protection degree	IP65	Plugging cycles	≥ 100
Pollution severity	3	Cable gland	M 12
Connection 1	M12/M12	Connection 2	M12
Shield connection	Yes	Temperature range of housing	-40 ... +85 °C
Conductor O.D.	-		

## Classifications

ETIM 8.0	EC002925	ETIM 9.0	EC002925
ETIM 10.0	EC002925	ECLASS 14.0	27-44-01-06
ECLASS 15.0	27-44-01-06		

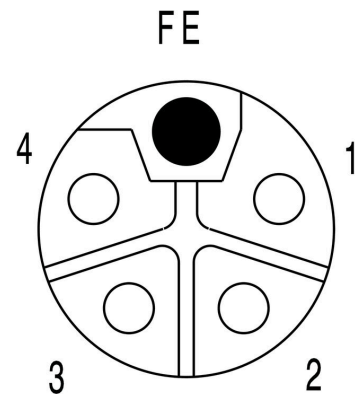
Dimensioned drawing



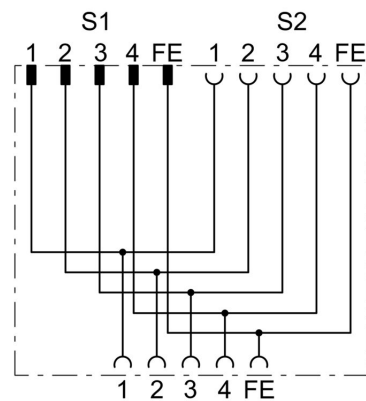
Pole scheme



Pole scheme



Wiring diagram



**Derating curve**

