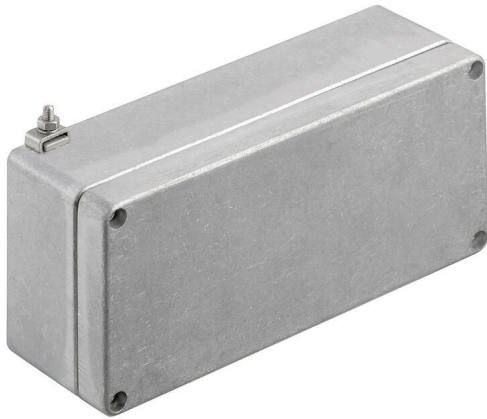


KLIPPON K31 EX

Weidmüller Interface GmbH & Co. KG

Klingenbergstraße 26
D-32758 Detmold
Germany

www.weidmueller.com



The aluminium Klippon® K enclosures are suitable for use in an extremely wide range of different areas. Various components can be installed inside the enclosures, and will benefit in particular from the high temperature resistance, the excellent IP protection and the good impact resistance.

No matter what kind of application the customer is planning, Weidmüller is able to provide a wide range of aluminium enclosures precisely fitting the customer's requirements.

Klippon® K enclosures for hazardous areas are available on request.

Our extensive product range offers the following advantages:

- Available in two surface finishes: natural and powder-coated (RAL 7001)
 - With chloroprene moulded seal as standard (silicone moulded seal optionally available)
 - Standardised closure system with Torx slotted screw head for 19 enclosure sizes
 - Mounting holes outside of the gasket area
 - High IP protection classes: IP66, IP67 and IP68 according to DIN EN 60529
 - Impact resistance of up to 7 (10) Joules
 - The enclosures are approved according to ATEX, IECEx, cULus, and DNV GL as well as the empty enclosure standard.
- Suitable for railway applications according to EN 45545-2:2013
 - Alloy is resistant to salt water
 - Standardised distributor enclosures with threaded holes and a variety of terminal configurations

General ordering data

| | |
|------------|--|
| Version | Klippon K (aluminium empty enclosure), Empty enclosure, Aluminium enclosure, Height: 80 mm, Width: 175 mm, Depth: 57 mm, Basic material: Aluminium AlSi12, untreated, silver |
| Order No. | 9526890000 |
| Type | KLIPPON K31 EX |
| GTIN (EAN) | 4032248019106 |
| Qty. | 1 items |

KLIPPON K31 EX

Weidmüller Interface GmbH & Co. KG
 Klingenbergstraße 26
 D-32758 Detmold
 Germany

www.weidmueller.com

Technical data

Approvals

Approvals



ROHS Conform

Dimensions and weights

| | | | |
|-----------------------------|--------|----------------------------|-------------|
| Depth | 57 mm | Depth (inches) | 2.2441 inch |
| Height | 80 mm | Height (inches) | 3.1496 inch |
| Width | 175 mm | Width (inches) | 6.8898 inch |
| Mounting dimension - height | 52 mm | Mounting dimension - width | 163 mm |
| Net weight | 594 g | | |

Temperatures

Operating temperature -60 °C...135 °C

Environmental Product Compliance

RoHS Compliance Status Compliant without exemption
 REACH SVHC No SVHC above 0.1 wt%

Cable glands, left

| | | | |
|-----|---|-----|---|
| M12 | 2 | M16 | 2 |
| M20 | 1 | | |

Cable glands, right

| | | | |
|-----|---|-----|---|
| M16 | 2 | M20 | 1 |
| M12 | 2 | | |

Cable glands, top/bottom

| | | | |
|-----|---|-----|---|
| M20 | 4 | M12 | 9 |
| M25 | 3 | M16 | 6 |

Certificate numbers enclosure

| | | | |
|---|----------------------------|--|---|
| Declaration of Conformity No. (DoC LVD) | DE PS24 10 160412 001ISS03 | Attestation of Conformity No. (AoC) | DE PS24 10 160308 001ISS03 |
| Certificate no. empty enclosure (INMETRO) | LMP 23.0526U | Certificate No. (DNV) | TAE00002SM |
| Certificate no. Terminal Box (ATEX) | IBExU12ATEX1145 X | Certificate no. empty enclosure (ATEX) | IBExU12ATEX1144 U |
| Certificate no. Terminal Box (INMETRO) | LMP 23.0527X | Certificate no. Terminal Box (IECEX) | IECEX IBE 13.0002X |
| Certificate no. empty enclosure (IECEX) | IECEX IBE 13.0001U | Certificate No. (IECEX) | IECEXIBE13.0001U |
| Certificate No. (ATEX) | IBEXU12ATEX1144U | Approval conditions | DNV, GL, RMRS, ATEX, IECEX, UL AEx Class Div., CCC, INMETRO |

General information

| | | | |
|-----------------------------|--------|---------------------------------|--------|
| Material thickness of cover | 2.5 mm | Material thickness of enclosure | 4 mm |
| Operating temperature, max. | 135 °C | Operating temperature, min. | -60 °C |

KLIPPON K31 EX

Weidmüller Interface GmbH & Co. KG
 Klingenbergstraße 26
 D-32758 Detmold
 Germany

www.weidmueller.com

Technical data

| | | | |
|------------------------|--|-----------------------|---|
| Lid attachment | M4 torx stainless steel screws with slot | Standards | IEC 60079-0, IEC 60079-7, IEC 60079-31, EN 45545-2:2013 |
| Surface finish | untreated | Impact resistance | 7 J ATEX version |
| Protection degree | IP66, IP67 | Basic material | Aluminium AISi12 |
| Seal material | Silicone | Torque for lid screws | 2.5 Nm |
| Integral fixing | Threaded holes M4 | Enclosure attachment | Holes 4 mm |
| Number of lid screws | 4 | Access opening: width | 167 mm |
| Flange plate | No | Lid | Yes |
| Access opening: height | 72 mm | Areas of use | Explosive risk zone, Process industry, Transportation, Packaging industry, Marine engineering, Machine construction, Harbour facilities |

horizontal assembly

| | | | |
|-----------------------------|------|---------------|------|
| WDU 2,5 / ZDU 2,5 / IDU 2,5 | 1x23 | WDU 4 / ZDU 4 | 1x19 |
|-----------------------------|------|---------------|------|

vertical assembly

| | | | |
|-----------------------------|---|---------------|---|
| WDU 2,5 / ZDU 2,5 / IDU 2,5 | * | WDU 4 / ZDU 4 | * |
|-----------------------------|---|---------------|---|

Classifications

| | | | |
|-------------|-------------|-------------|-------------|
| ETIM 8.0 | EC002503 | ETIM 9.0 | EC002503 |
| ETIM 10.0 | EC002503 | ECLASS 14.0 | 27-18-05-02 |
| ECLASS 15.0 | 27-18-05-02 | | |

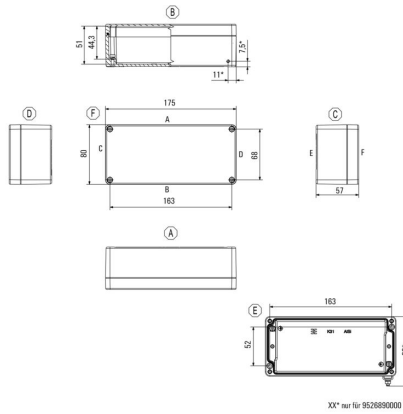
KLIPPON K31 EX

Weidmüller Interface GmbH & Co. KG
Klingenbergstraße 26
D-32758 Detmold
Germany

Drawings

www.weidmueller.com

Dimensioned drawing



KLIPPON K31 EX

Weidmüller Interface GmbH & Co. KG

Klingenbergstraße 26
D-32758 Detmold
Germany

www.weidmueller.com

Accessories

Klippon® K - Hinge



The system accessories for the Klippon® K enclosure series allows you to easily adapt the enclosures to meet the specific requirements of every application.

- DIN Rails TS 35 and TS 15
- Mounting plates
- Hinges
- Wall-mounted holder

Weidmüller can manufacture and supply this enclosure - according to customer specifications - fitted with all necessary terminals and cable glands.

General ordering data

| | | | |
|------------|----------------------------|---------|---|
| Type | HG K+POK | Version | |
| Order No. | 1580360000 | | |
| GTIN (EAN) | 4008190203542 | | Klippon POK (polyester empty enclosure), External joint, Hinge, Basic material: Aluminium AISi 12, silver |
| Qty. | 1 ST | | |

Klippon® K - Mounting plates



The system accessories for the Klippon® K enclosure series allows you to easily adapt the enclosures to meet the specific requirements of every application.

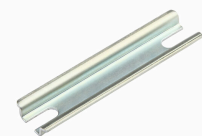
- DIN Rails TS 35 and TS 15
- Mounting plates
- Hinges
- Wall-mounted holder

Weidmüller can manufacture and supply this enclosure - according to customer specifications - fitted with all necessary terminals and cable glands.

General ordering data

| | | | |
|------------|----------------------------|---------|---|
| Type | MOPL K31 STAHL | Version | |
| Order No. | 3073040000 | | |
| GTIN (EAN) | 4008190857974 | | Klippon K (aluminium empty enclosure), Mounting plate, Mounting plate, Height: 67 mm, Width: 164 mm, Depth: 2 mm, Basic material: Sheet steel, galvanized, galvanized, silver |
| Qty. | 1 ST | | |

TS 15



The system accessories for the Klippon® K enclosure series allows you to easily adapt the enclosures to meet the specific requirements of every application.

- DIN Rails TS 35 and TS 15
- Mounting plates
- Hinges
- Wall-mounted holder

Weidmüller can manufacture and supply this enclosure - according to customer specifications - fitted with all necessary terminals and cable glands.

General ordering data

| | | | |
|------------|----------------------------|---------|--|
| Type | TS15 164 KLIPPON K31 CSS | Version | |
| Order No. | 1910040000 | | |
| GTIN (EAN) | 4032248536955 | | Rail, TS 15, Width: 164 mm, without slot, Steel, galvanized, chromium-plated |
| Qty. | 1 ST | | |

KLIPPON K31 EX

Weidmüller Interface GmbH & Co. KG
 Klingenbergstraße 26
 D-32758 Detmold
 Germany

www.weidmueller.com

Accessories

Installation material



Integrate, expand and customise - the perfect supplement to every application

The fully structured range of system accessories for the new Klippon® TB enclosure series allows you to easily adapt the enclosures to meet the specific requirements of every application.

Mounting hardware kits

Mounting hardware kits are available for quick and easy installation of type label holders, document holders and rain hoods.

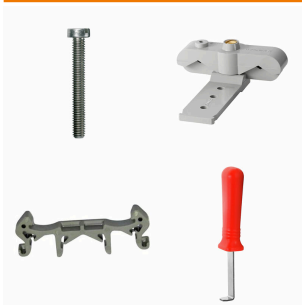
The label fastening set – SD is required to install a plastic (Trafolyte) ID or type label. With the aid of this set can you mount the ID or type label directly on the enclosure cover. The label fastening set has been specially developed for this purpose. Only by using this fastening set can you ensure that there will be no leaks into the enclosure or damage to the label.

The universal fastening set – TPSD has been developed to enable secure and quick installation of type label holders, rain covers or document holders, for example. By using this fastening set, the risk of leaks can be minimised, if not avoided.

General ordering data

| | | |
|------------|----------------------------|--|
| Type | TPSD FIXING SET KTB | Version |
| Order No. | 1252190000 | Klippon TB (Terminal Box), Type plate fixings set, Basic material: |
| GTIN (EAN) | 4050118043969 | Stainless steel, rust-proof, untreated, silver |
| Qty. | 20 ST | |
| Type | SD FIXING SET | Version |
| Order No. | 1285200000 | Klippon TB (Terminal Box), Identification plate fixing set, Height: 12 |
| GTIN (EAN) | 4050118075472 | mm, Width: 12 mm, Depth: 16.4 mm, Basic material: Stainless steel, |
| Qty. | 1 ST | rust-proof, untreated, silver |

Mounting support



We offer a broad portfolio of mounting support for easy handling and supplementation of our products. From various tools to insulating sleeves and various screws, our components are matched to each other down to the last detail and thus facilitate assembly in compliance with the respective standards and protective regulations.

General ordering data

| | | |
|------------|----------------------------|---|
| Type | FKSC M4X6 D8/SW2 | Version |
| Order No. | 1567480000 | SAK Series, Allen hex screw, Screws, Number of poles: 1 |
| GTIN (EAN) | 4008190033491 | |
| Qty. | 100 ST | |

KLIPPON K31 EX

Weidmüller Interface GmbH & Co. KG
 Klingenbergstraße 26
 D-32758 Detmold
 Germany

www.weidmueller.com

Accessories

TS 15



The system accessories for the Klippon® K enclosure series allows you to easily adapt the enclosures to meet the specific requirements of every application.

- DIN Rails TS 35 and TS 15
- Mounting plates
- Hinges
- Wall-mounted holder

Weidmüller can manufacture and supply this enclosure - according to customer specifications - fitted with all necessary terminals and cable glands.

General ordering data

| | | | |
|------------|----------------------------|--|--|
| Type | TS15X5 ST K31 | Version | |
| Order No. | 8000003887 | Rail, TS 15, Width: 164 mm, without slot, Steel, galvanic zinc plated and passivated | |
| GTIN (EAN) | 4050118652529 | | |
| Qty. | 20 ST | | |

Depth 7.5 mm



The system accessories for the Klippon® K enclosure series allows you to easily adapt the enclosures to meet the specific requirements of every application.

- DIN Rails TS 35 and TS 15
- Mounting plates
- Hinges
- Wall-mounted holder

Weidmüller can manufacture and supply this enclosure - according to customer specifications - fitted with all necessary terminals and cable glands.

General ordering data

| | | | |
|------------|----------------------------|---|--|
| Type | TS35X7.5 ST K31 | Version | |
| Order No. | 8000003898 | Rail, TS 35, TS 35 x 7.5, Width: 164 mm, without slot, Steel, galvanic zinc plated and passivated | |
| GTIN (EAN) | 4050118652604 | | |
| Qty. | 20 ST | | |

Depth 15 mm



The system accessories for the Klippon® K enclosure series allows you to easily adapt the enclosures to meet the specific requirements of every application.

- DIN Rails TS 35 and TS 15
- Mounting plates
- Hinges
- Wall-mounted holder

Weidmüller can manufacture and supply this enclosure - according to customer specifications - fitted with all necessary terminals and cable glands.

General ordering data

| | | | |
|------------|----------------------------|---|--|
| Type | TS35X15 ST K31 | Version | |
| Order No. | 8000073089 | Rail, TS 35, TS 35 x 15, Width: 164 mm, with slot, Steel, galvanic zinc plated and passivated | |
| GTIN (EAN) | 4064675337003 | | |
| Qty. | 20 ST | | |