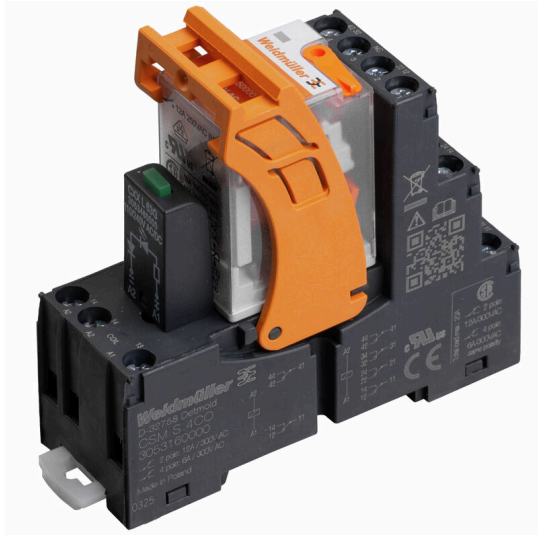


CRMKIT S 230VAC 4CO L/PB

Weidmüller Interface GmbH & Co. KG
 Klingenbergstraße 26
 D-32758 Detmold
 Germany

www.weidmueller.com



Similar to illustration

General ordering data

Version	CUBESERIES, Number of contacts: 4, CO contact AgNi, Rated control voltage: 230 V AC, Continuous current: 6 A, Screw connection, Test button available: Yes
Order No.	3137330000
Type	CRMKIT S 230VAC 4CO L/PB
GTIN (EAN)	4099987361798
Qty.	5 items

CRMKIT S 230VAC 4CO L/PB

Weidmüller Interface GmbH & Co. KG
Klingenbergstraße 26
D-32758 Detmold
Germany

www.weidmueller.com

Technical data

Approvals

Approvals



ROHS Conform

Dimensions and weights

Depth	68.2 mm	Depth (inches)	2.685 inch
Height	80.3 mm	Height (inches)	3.1614 inch
Width	26.9 mm	Width (inches)	1.0591 inch
Net weight	112 g		

Temperatures

Storage temperature	Ambient temperature	-40 °C...55 °C
Operating temperature		

Environmental Product Compliance

RoHS Compliance Status	Compliant without exemption
REACH SVHC	No SVHC above 0.1 wt%

Control side

Rated control voltage	230 V AC	Rated current AC	9.5 mA
Power rating	2.3 VA	Coil resistance	16100 Ω ± 10 %
Status indicator	Green LED	Input frequency	50...60Hz
Coil voltage of the replacement relay deviating from the rated control voltage	No	Coil voltage of the replacement relay	230 V AC

Load side

Rated switching voltage	250 V AC	Continuous current	6 A
Max. switching frequency at rated load	0.1 Hz	Max. switching voltage, AC	250 V
Max. switching voltage, DC	250 V	Inrush current	16 A / 20 ms
AC switching capacity (resistive), max.	1500	DC switching capacity (resistive), max.	168 W @ 24 V
Switch-on delay	≤ 20 ms	Switch-off delay	≤ 12 ms
Contact type	4 CO contact (AgNi)	Mechanical service life	2 x 10 ⁷ switching cycles
Min. switching power	10 mA @ 12 V, 100 mA @ 5 V		

General data

Operating altitude	≤ 2000 m, above sea level	
Mounting rail	TS 35	
Test button available	Yes	
Version of test button	Lockable test button, Momentary test button	
Mechanical switch position indicator	Yes	
Colour	black	
UL94 flammability rating component	Component	Socket
	UL94 flammability rating	V-2
	Component	Relay cover
	UL94 flammability rating	V-2

CRMKIT S 230VAC 4CO L/PB

Weidmüller Interface GmbH & Co. KG
 Klingenbergstraße 26
 D-32758 Detmold
 Germany

www.weidmueller.com

Technical data

Insulation coordination

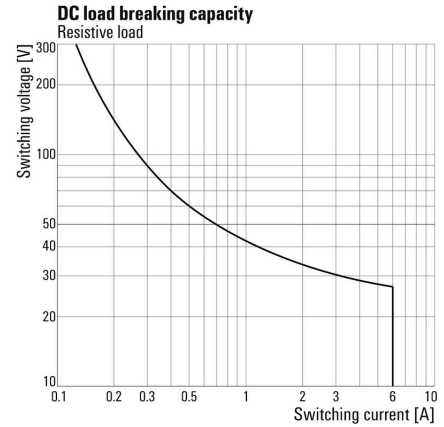
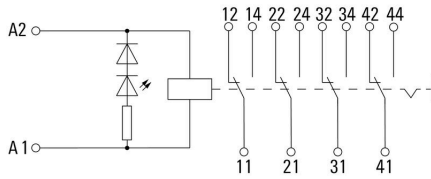
Rated voltage	250 V	Surge voltage category	II
Dielectric strength for control side - load side	4 kVeff / 1 Min.	Dielectric strength of neighbouring contacts	3 KVeff / 1 Min.
Dielectric strength to mounting rail	4 kVeff / 1 Min.	Protection degree	IP20

Connection data

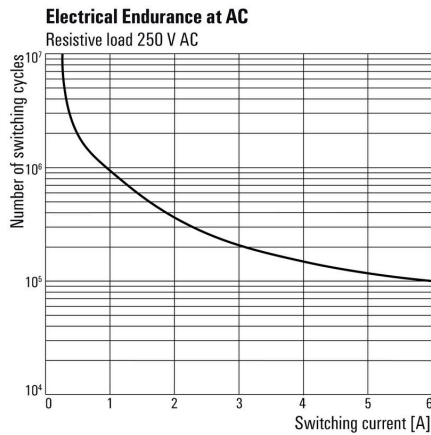
Wire connection method	Screw connection	Stripping length, rated connection	8 mm
Tightening torque, min.	0.7 Nm	Clamping range, rated connection	2.5 mm ²
Clamping range, min.	2.5 mm ²	Clamping range, max.	4 mm ²
Wire connection cross section AWG, min.	AWG 20	Wire connection cross section AWG, max.	AWG 16
Wire cross-section, solid, min.	2.5 mm ²	Wire cross-section, solid, max.	4 mm ²
Wire cross-section, solid, min. (AWG)	AWG 20	Wire cross-section, solid, max. (AWG)	AWG 16
Twin wire-end ferrules, min.	1.5 mm ²	Twin wire-end ferrules, max.	2.5 mm ²
Blade size	PZ 1		

Classifications

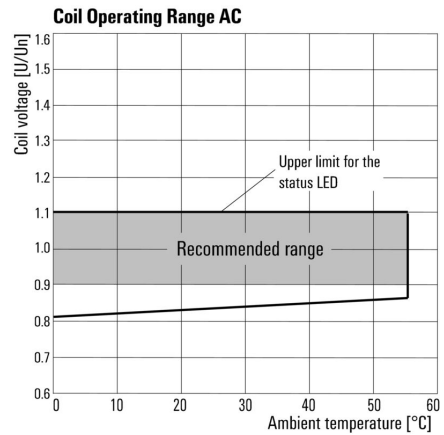
ETIM 8.0	EC001437	ETIM 9.0	EC001437
ETIM 10.0	EC001437	ECLASS 14.0	27-37-16-01
ECLASS 15.0	27-37-16-01		



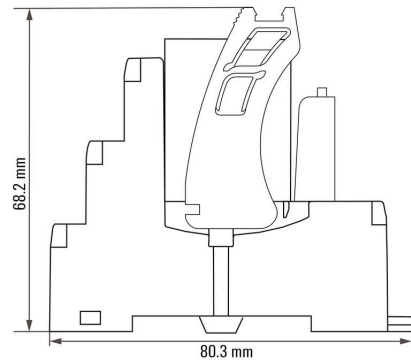
Graph



Graph

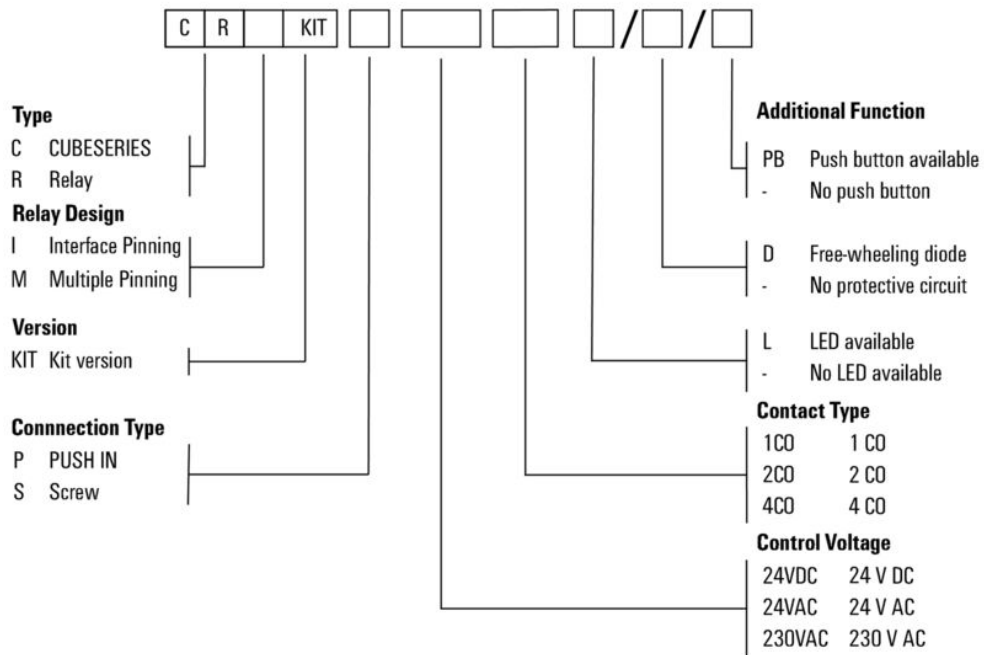


Dimensional drawing



Miscellaneous

Typecode CUBESERIES KIT Versions



CRMKIT S 230VAC 4CO L/PB

Weidmüller Interface GmbH & Co. KG
 Klingenbergstraße 26
 D-32758 Detmold
 Germany

www.weidmueller.com

Accessories

Slotted screwdriver



VDE insulated slot-head screwdriver, SDI DIN 7437, ISO 2380/2, drive output acc. to DIN 5264, ISO 2380/1.
 SoftFinish grip

General ordering data

Type	SDIS 0.6X3.5X100	Version	
Order No.	2749810000	Screwdriver, Blade width (B): 3.5 mm, Blade length: 100 mm, Blade thickness (A): 0.6 mm	
GTIN (EAN)	4050118897012		
Qty.	1 ST		
Type	SDIS SLIM 0.6X3.5X100	Version	
Order No.	2749610000	Mounting tool, Blade width (B): 3.5 mm, Blade length: 100 mm, Blade thickness (A): 0.6 mm	
GTIN (EAN)	4050118896350		
Qty.	1 ST		

Blank



MultiFit is the Weidmüller marker system used for other makes of terminals. Similar to the Weidmüller Dekafix, the markers of the MultiFit family are available ready-for-use with standard printing.

We recommend to carry out a test with sample markers on the terminals used when using MultiFit for the first time.

- One marker, suitable for different makes of terminals.
- Ready-to-use markers with standard printing
- Blank markers for printing with the PrintJet CONNECT or Plotter
- Delivery of individually printed markers according to customer CAE data or specifications
- One marking system for all applications

For custom printing: Please send us a file of our labeling software M-Print PRO or M-Print PRO Online (without installation) for your labeling specifications.

General ordering data

Type	MF 10/5 MC NE WS	Version	
Order No.	1677160000	MultiFit, Terminal marker, 10 x 5 mm, Pitch in mm (P): 5.00 Phoenix, Wieland, Legrand, Telemecanique, Entrelec, white	
GTIN (EAN)	4008190475505		
Qty.	600 ST		
Type	MF 10/6 MC NE WS	Version	
Order No.	1677220000	MultiFit, Terminal marker, 10 x 6 mm, Pitch in mm (P): 6.00 Phoenix, Wieland, Legrand, Telemecanique, Entrelec, white	
GTIN (EAN)	4008190475529		
Qty.	600 ST		
Type	MF 10/8 MC NE WS	Version	
Order No.	1868440000	MultiFit, Terminal marker, 10 x 8 mm, Pitch in mm (P): 8.00 Phoenix, Entrelec, white	
GTIN (EAN)	4032248440023		
Qty.	350 ST		

CRMKIT S 230VAC 4CO L/PB

Weidmüller Interface GmbH & Co. KG
 Klingenbergstraße 26
 D-32758 Detmold
 Germany

Accessories

www.weidmueller.com

MultiFit



MultiMark MultiFit

For connectors from competitors.

The elastic surface finish makes for simple installation. This special material enables the strips to be stretched to accommodate slight variations in spacing, especially with long terminal blocks.

A print resolution of 300 dpi also produces a very legible script. Your benefits with MultiMark

- Firm hold and durable printing
- Continuous strips save installation time
- Easy mounting thanks to an innovative composite material
- Large label field for optimal legibility
- High flexibility thanks to manufacturer independence
- Firm hold and durable printing
- Continuous strips save installation time
- Easy mounting thanks to an innovative composite material
- Large label field for optimal legibility
- High flexibility thanks to manufacturer independence
-] • Firm hold and durable printing
- Continuous strips save installation time
- Easy mounting thanks to an innovative composite material
- Large label field for optimal legibility
- High flexibility thanks to manufacturer independence

General ordering data

Type	MF 10/3.5 MM WS	Version
Order No.	2885970000	Terminal marker, 10 x 3.5 mm, Pitch in mm (P): 3.50 white
GTIN (EAN)	4064675854579	
Qty.	850 ST	
Type	MF 10/4.2 MM WS	Version
Order No.	2885980000	Terminal marker, 10 x 4.2 mm, Pitch in mm (P): 4.20 white
GTIN (EAN)	4064675854586	
Qty.	750 ST	

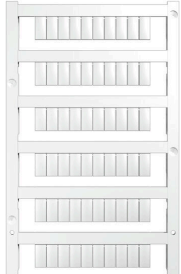
CRMKIT S 230VAC 4CO L/PB

Weidmüller Interface GmbH & Co. KG
 Klingenbergstraße 26
 D-32758 Detmold
 Germany

www.weidmueller.com

Accessories

Blank



MultiFit is the Weidmüller marker system used for other makes of terminals. Similar to the Weidmüller Dekafix, the markers of the MultiFit family are available ready-for-use with standard printing.

We recommend to carry out a test with sample markers on the terminals used when using MultiFit for the first time.

- One marker, suitable for different makes of terminals.
- Ready-to-use markers with standard printing
- Blank markers for printing with the PrintJet CONNECT or Plotter
- Delivery of individually printed markers according to customer CAE data or specifications
- One marking system for all applications

For custom printing: Please send us a file of our labeling software M-Print PRO or M-Print PRO Online (without installation) for your labeling specifications.

General ordering data

Type	MF 10/10 MC NE WS	Version	
Order No.	1856760000	MultiFit, Terminal marker, 10 x 10 mm, Pitch in mm (P): 10.00	
GTIN (EAN)	4032248401031	Phoenix, Entelec, white	
Qty.	200 ST		

MultiFit



MultiMark MultiFit

For connectors from competitors.

The elastic surface finish makes for simple installation. This special material enables the strips to be stretched to accommodate slight variations in spacing, especially with long terminal blocks.

A print resolution of 300 dpi also produces a very legible script. Your benefits with MultiMark

- Firm hold and durable printing
- Continuous strips save installation time
- Easy mounting thanks to an innovative composite material
- Large label field for optimal legibility
- High flexibility thanks to manufacturer independence
- Firm hold and durable printing
- Continuous strips save installation time
- Easy mounting thanks to an innovative composite material
- Large label field for optimal legibility
- High flexibility thanks to manufacturer independence
- Firm hold and durable printing
- Continuous strips save installation time
- Easy mounting thanks to an innovative composite material
- Large label field for optimal legibility
- High flexibility thanks to manufacturer independence

CRMKIT S 230VAC 4CO L/PB

Weidmüller Interface GmbH & Co. KG
 Klingenbergstraße 26
 D-32758 Detmold
 Germany

www.weidmueller.com

Accessories

General ordering data

Type	MF 10/8 MM WS	Version
Order No.	2519190000	Terminal marker, 10 x 8 mm, white
GTIN (EAN)	4050118531411	
Qty.	400 ST	
Type	MF 10/5 MM WS	Version
Order No.	2519170000	Terminal marker, 10 x 5 mm, white
GTIN (EAN)	4050118531190	
Qty.	600 ST	
Type	MF 10/6 MM WS	Version
Order No.	2519180000	Terminal marker, 10 x 6 mm, white
GTIN (EAN)	4050118531404	
Qty.	500 ST	
Type	MF 10/16 MM WS	Version
Order No.	2886020000	Terminal marker, 10 x 16 mm, white
GTIN (EAN)	4064675854623	
Qty.	150 ST	
Type	MF 10/7.6 MM WS	Version
Order No.	2885990000	Terminal marker, 10 x 7.6 mm, Pitch in mm (P): 7.60 white
GTIN (EAN)	4064675854593	
Qty.	400 ST	
Type	MF 10/10 MM WS	Version
Order No.	2886000000	Terminal marker, 10 x 10 mm, white
GTIN (EAN)	4064675854609	
Qty.	300 ST	
Type	MF 10/12 MM WS	Version
Order No.	2886010000	Terminal marker, 10 x 12 mm, white
GTIN (EAN)	4064675854616	
Qty.	250 ST	

Cross-connections



General ordering data

Type	CXM CCS 6P GY	Version
Order No.	3053180000	CUBESERIES, Cross-connector
GTIN (EAN)	4099987023009	
Qty.	2 ST	

CRMKIT S 230VAC 4CO L/PB

Weidmüller Interface GmbH & Co. KG
Klingenbergstraße 26
D-32758 Detmold
Germany

www.weidmueller.com

Accessories

Accessories



System accessory

Discover a wide range of accessories for your u-remote system - the ideal addition to make your applications even more efficient and flexible.

General ordering data

Type	UR20-EBK-ACC	Version	
Order No.	1346610000	End bracket ,	
GTIN (EAN)	4050118151596		
Qty.	5 ST		