

CRKIT P 24VDC 1CO L/D/PB

Weidmüller Interface GmbH & Co. KG
 Klingenbergstraße 26
 D-32758 Detmold
 Germany

www.weidmueller.com



Similar to illustration

Relay sockets with PUSH IN connection for quick installation

General ordering data

| | |
|------------|---|
| Version | CUBESERIES, Number of contacts: 1, CO contact AgNi, Rated control voltage: 24 V DC, Continuous current: 16 A, PUSH IN, Test button available: Yes |
| Order No. | 3137570000 |
| Type | CRKIT P 24VDC 1CO L/D/PB |
| GTIN (EAN) | 4099987362047 |
| Qty. | 10 items |

CRIKIT P 24VDC 1CO L/D/PB
Weidmüller Interface GmbH & Co. KG

 Klingenbergstraße 26
 D-32758 Detmold
 Germany

www.weidmueller.com
Technical data
Approvals

Approvals



ROHS Conform

Dimensions and weights

| | | | |
|------------|---------|-----------------|-------------|
| Depth | 72.5 mm | Depth (inches) | 2.8543 inch |
| Height | 97 mm | Height (inches) | 3.8189 inch |
| Width | 15.9 mm | Width (inches) | 0.626 inch |
| Net weight | 67 g | | |

Temperatures

| | | |
|-----------------------|---------------------|----------------|
| Storage temperature | Ambient temperature | -40 °C...70 °C |
| Operating temperature | | |

Environmental Product Compliance

| | |
|------------------------|-----------------------------|
| RoHS Compliance Status | Compliant without exemption |
| REACH SVHC | No SVHC above 0.1 wt% |

Control side

| | | | |
|--|-----------|---------------------------------------|---------------------|
| Rated control voltage | 24 V DC | Rated current DC | 23.5 mA |
| Power rating | 565 mW | Coil resistance | 1440 Ω ± 10 % |
| Status indicator | Green LED | Protective circuit | Free-wheeling diode |
| Coil voltage of the replacement relay deviating from the rated control voltage | No | Coil voltage of the replacement relay | 24 V DC |

Load side

| | | | |
|---|--------------------------------------|---|---|
| Rated switching voltage | 250 V AC | Continuous current | 16 A @ 1CO with bridged output wire connections; 12 A; @ 1CO without bridged output wire connections |
| Max. switching frequency at rated load | 0.1 Hz | Max. switching voltage, AC | 250 V |
| Max. switching voltage, DC | 250 V | AC switching capacity (resistive), max. | 4000 |
| DC switching capacity (resistive), max. | 384 W @ 24 V | Switch-on delay | ≤ 12 ms |
| Switch-off delay | ≤ 6 ms | Contact type | 1 CO contact (AgNi) |
| Mechanical service life | 5 x 10 ⁶ switching cycles | Min. switching power | 10 mA @ 12 V, 100 mA @ 5 V |

General data

| | | | |
|--------------------------------------|---|-------------|--|
| Operating altitude | ≤ 2000 m, above sea level | | |
| Mounting rail | TS 35 | | |
| Test button available | Yes | | |
| Version of test button | Lockable test button, Momentary test button | | |
| Mechanical switch position indicator | Yes | | |
| Colour | black | | |
| UL94 flammability rating component | Component | Socket | |
| | UL94 flammability rating | V-0 | |
| | Component | Relay cover | |

Creation date 17.02.2026 12:26:20 MEZ

Catalogue status / Drawings

CRIKIT P 24VDC 1CO L/D/PB

Weidmüller Interface GmbH & Co. KG
 Klingenbergstraße 26
 D-32758 Detmold
 Germany

www.weidmueller.com

Technical data

| UL94 flammability rating V-2

Insulation coordination

| | | | |
|------------------------|------|---------------------------|------------------|
| Surge voltage category | II | Impulse withstand voltage | 4 kV (1.2/50 µs) |
| Protection degree | IP20 | | |

Connection data

| | | | |
|---------------------------------------|---------------------|--|---------------------|
| Wire connection method | PUSH IN | Stripping length, rated connection | 8 mm |
| Clamping range, rated connection | 1.5 mm ² | Clamping range, min. | 0.5 mm ² |
| Clamping range, max. | 1.5 mm ² | Wire cross-section, solid, min. | 0.5 mm ² |
| Wire cross-section, solid, max. | 1.5 mm ² | Wire cross-section, solid, min. (AWG) | AWG 20 |
| Wire cross-section, solid, max. (AWG) | AWG 16 | Conductor cross-section, flexible, AEH (DIN 46228-1), max. | 1.5 mm ² |
| Blade size | 0.6 x 3.5 mm | | |

Classifications

| | | | |
|-------------|-------------|-------------|-------------|
| ETIM 8.0 | EC001437 | ETIM 9.0 | EC001437 |
| ETIM 10.0 | EC001437 | ECLASS 14.0 | 27-37-16-01 |
| ECLASS 15.0 | 27-37-16-01 | | |

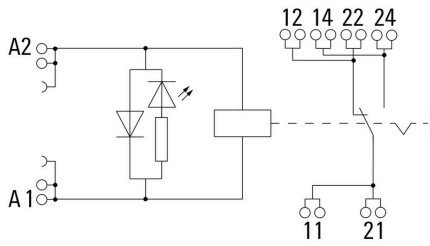
CRIKIT P 24VDC 1CO L/D/PB

Weidmüller Interface GmbH & Co. KG
 Klingenbergstraße 26
 D-32758 Detmold
 Germany

www.weidmueller.com

Drawings

Wiring diagram



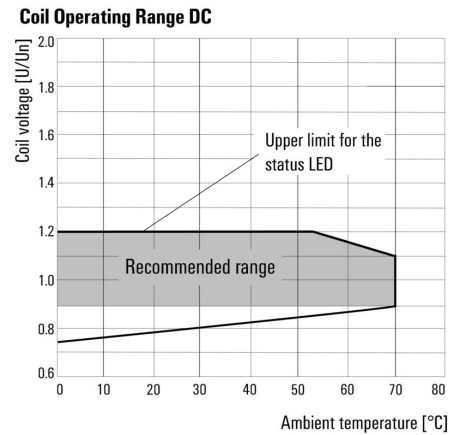
Graph



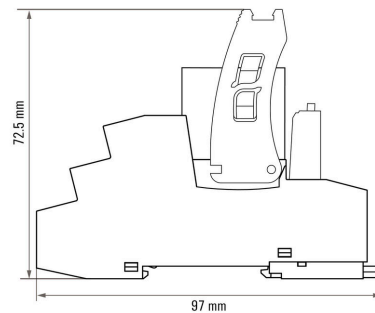
Graph



Graph



Dimensional drawing



CRKIT P 24VDC 1CO L/D/PB

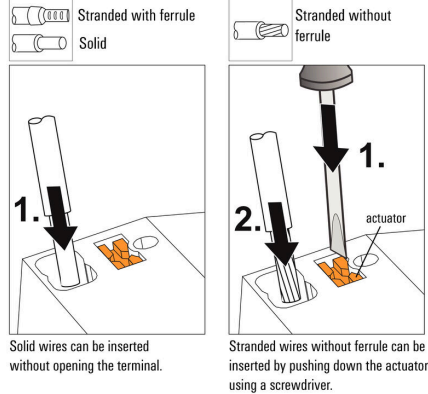
Weidmüller Interface GmbH & Co. KG
 Klingenbergstraße 26
 D-32758 Detmold
 Germany

Drawings

www.weidmueller.com

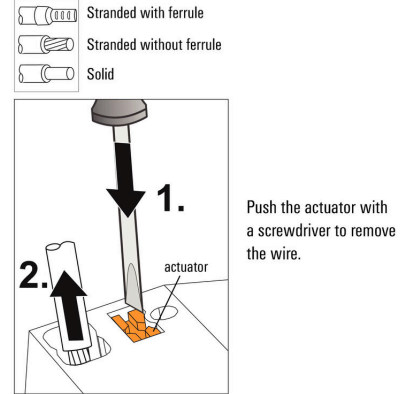
Miscellaneous

Insert flexible and solid cables



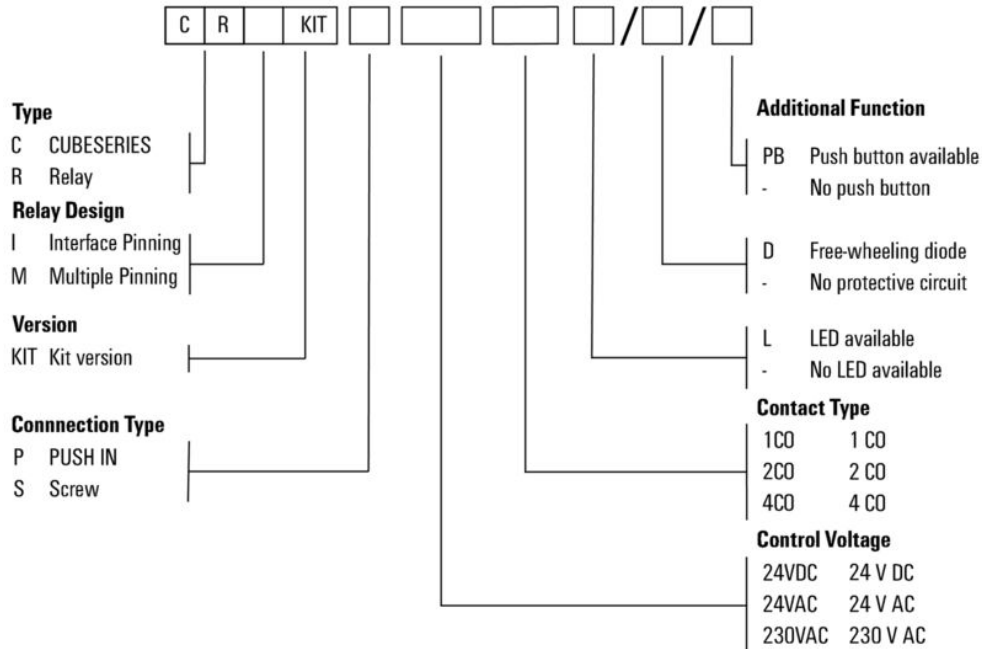
Miscellaneous

Removal of cables



Miscellaneous

Typecode CUBESERIES KIT Versions



CRIKIT P 24VDC 1CO L/D/PB

Weidmüller Interface GmbH & Co. KG
 Klingenbergstraße 26
 D-32758 Detmold
 Germany

www.weidmueller.com

Accessories

Slotted screwdriver



VDE insulated slot-head screwdriver, SDI DIN 7437, ISO 2380/2, drive output acc. to DIN 5264, ISO 2380/1.
 SoftFinish grip

General ordering data

| | | | |
|------------|----------------------------|---|--|
| Type | SDIS 0.6X3.5X100 | Version | |
| Order No. | 2749810000 | Screwdriver, Blade width (B): 3.5 mm, Blade length: 100 mm, Blade thickness (A): 0.6 mm | |
| GTIN (EAN) | 4050118897012 | | |
| Qty. | 1 ST | | |

Blank



MultiFit is the Weidmüller marker system used for other makes of terminals. Similar to the Weidmüller Dekafix, the markers of the MultiFit family are available ready-for-use with standard printing.

We recommend to carry out a test with sample markers on the terminals used when using MultiFit for the first time.

- One marker, suitable for different makes of terminals.
- Ready-to-use markers with standard printing
- Blank markers for printing with the PrintJet CONNECT or Plotter
- Delivery of individually printed markers according to customer CAE data or specifications
- One marking system for all applications

For custom printing: Please send us a file of our labeling software M-Print PRO or M-Print PRO Online (without installation) for your labeling specifications.

General ordering data

| | | | |
|------------|----------------------------|--|--|
| Type | MF 10/10 MC NE WS | Version | |
| Order No. | 1856760000 | MultiFit, Terminal marker, 10 x 10 mm, Pitch in mm (P): 10.00 | |
| GTIN (EAN) | 4032248401031 | Phoenix, Entrelec, white | |
| Qty. | 200 ST | | |
| Type | MF 10/5 MC NE WS | Version | |
| Order No. | 1677160000 | MultiFit, Terminal marker, 10 x 5 mm, Pitch in mm (P): 5.00 Phoenix, | |
| GTIN (EAN) | 4008190475505 | Wieland, Legrand, Telemecanique, Entrelec, white | |
| Qty. | 600 ST | | |
| Type | MF 10/6 MC NE WS | Version | |
| Order No. | 1677220000 | MultiFit, Terminal marker, 10 x 6 mm, Pitch in mm (P): 6.00 Phoenix, | |
| GTIN (EAN) | 4008190475529 | Wieland, Legrand, Telemecanique, Entrelec, white | |
| Qty. | 600 ST | | |
| Type | MF 10/8 MC NE WS | Version | |
| Order No. | 1868440000 | MultiFit, Terminal marker, 10 x 8 mm, Pitch in mm (P): 8.00 Phoenix, | |
| GTIN (EAN) | 4032248440023 | Entrelec, white | |
| Qty. | 350 ST | | |

CRIKIT P 24VDC 1CO L/D/PB

Weidmüller Interface GmbH & Co. KG
 Klingenbergstraße 26
 D-32758 Detmold
 Germany

Accessories

www.weidmueller.com

MultiFit



MultiMark MultiFit

For connectors from competitors.

The elastic surface finish makes for simple installation. This special material enables the strips to be stretched to accommodate slight variations in spacing, especially with long terminal blocks.

A print resolution of 300 dpi also produces a very legible script. Your benefits with MultiMark

- Firm hold and durable printing
- Continuous strips save installation time
- Easy mounting thanks to an innovative composite material
- Large label field for optimal legibility
- High flexibility thanks to manufacturer independence
- Firm hold and durable printing
- Continuous strips save installation time
- Easy mounting thanks to an innovative composite material
- Large label field for optimal legibility
- High flexibility thanks to manufacturer independence
-] • Firm hold and durable printing
- Continuous strips save installation time
- Easy mounting thanks to an innovative composite material
- Large label field for optimal legibility
- High flexibility thanks to manufacturer independence

General ordering data

| | | |
|------------|----------------------------|---|
| Type | MF 10/10 MM WS | Version |
| Order No. | 2886000000 | Terminal marker, 10 x 10 mm, white |
| GTIN (EAN) | 4064675854609 | |
| Qty. | 300 ST | |
| Type | MF 10/12 MM WS | Version |
| Order No. | 2886010000 | Terminal marker, 10 x 12 mm, white |
| GTIN (EAN) | 4064675854616 | |
| Qty. | 250 ST | |
| Type | MF 10/3.5 MM WS | Version |
| Order No. | 2885970000 | Terminal marker, 10 x 3.5 mm, Pitch in mm (P): 3.50 white |
| GTIN (EAN) | 4064675854579 | |
| Qty. | 850 ST | |
| Type | MF 10/4.2 MM WS | Version |
| Order No. | 2885980000 | Terminal marker, 10 x 4.2 mm, Pitch in mm (P): 4.20 white |
| GTIN (EAN) | 4064675854586 | |
| Qty. | 750 ST | |
| Type | MF 10/5 MM WS | Version |
| Order No. | 2519170000 | Terminal marker, 10 x 5 mm, white |
| GTIN (EAN) | 4050118531190 | |
| Qty. | 600 ST | |
| Type | MF 10/6 MM WS | Version |
| Order No. | 2519180000 | Terminal marker, 10 x 6 mm, white |
| GTIN (EAN) | 4050118531404 | |
| Qty. | 500 ST | |

CRIKIT P 24VDC 1CO L/D/PB

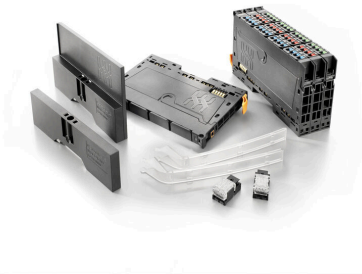
Weidmüller Interface GmbH & Co. KG
 Klingenbergstraße 26
 D-32758 Detmold
 Germany

www.weidmueller.com

Accessories

| | | | |
|------------|----------------------------|---|--|
| Type | MF 10/7.6 MM WS | Version | |
| Order No. | 2885990000 | Terminal marker, 10 x 7.6 mm, Pitch in mm (P): 7.60 white | |
| GTIN (EAN) | 4064675854593 | | |
| Qty. | 400 ST | | |
| Type | MF 10/8 MM WS | Version | |
| Order No. | 2519190000 | Terminal marker, 10 x 8 mm, white | |
| GTIN (EAN) | 4050118531411 | | |
| Qty. | 400 ST | | |

Accessories



System accessory

Discover a wide range of accessories for your u-remote system - the ideal addition to make your applications even more efficient and flexible.

General ordering data

| | | | |
|------------|----------------------------|----------------|--|
| Type | UR20-EBK-ACC | Version | |
| Order No. | 1346610000 | End bracket, , | |
| GTIN (EAN) | 4050118151596 | | |
| Qty. | 5 ST | | |

Cross-connections



Cross-connection for the sockets in the CUBESERIES CRI.

- Versions with red and blue coloured plastic for potential coding

Versions for PUSH IN sockets:

- 8-pin cross connection for A1 and A2 of the coil
- 2-pin jumper to connect to the neighbored sockets
- 2-pin jumper to connect the output channels within one socket

Version for screw sockets:

- 8-pin cross connection to connect to the neighbored sockets

General ordering data

| | | | |
|------------|----------------------------|-----------------------------|--|
| Type | CXI CCP 2P BL | Version | |
| Order No. | 3052660000 | CUBESERIES, Cross-connector | |
| GTIN (EAN) | 4099987022484 | | |
| Qty. | 20 ST | | |
| Type | CXI CCP 2P RD | Version | |
| Order No. | 3052650000 | CUBESERIES, Cross-connector | |
| GTIN (EAN) | 4099987022477 | | |
| Qty. | 20 ST | | |
| Type | CXI CCP 8P BL | Version | |
| Order No. | 3052700000 | CUBESERIES, Cross-connector | |
| GTIN (EAN) | 4099987022507 | | |
| Qty. | 10 ST | | |

CRIKIT P 24VDC 1CO L/D/PB

Weidmüller Interface GmbH & Co. KG
Klingenbergstraße 26
D-32758 Detmold
Germany

www.weidmueller.com

Accessories

| | | |
|------------|----------------------------|-----------------------------|
| Type | CXI CCP 8P RD | Version |
| Order No. | 3052690000 | CUBESERIES, Cross-connector |
| GTIN (EAN) | 4099987022491 | |
| Qty. | 10 ST | |
| Type | CXX JMP 2P BL | Version |
| Order No. | 3053260000 | CUBESERIES, Cross-connector |
| GTIN (EAN) | 4099987023085 | |
| Qty. | 30 ST | |
| Type | CXX JMP 2P RD | Version |
| Order No. | 3053250000 | CUBESERIES, Cross-connector |
| GTIN (EAN) | 4099987023078 | |
| Qty. | 30 ST | |