

TRPL 24-230VUC 2CO

Weidmüller Interface GmbH & Co. KG
 Klingenbergstraße 26
 D-32758 Detmold
 Germany

www.weidmueller.com

Similar to illustration



The all-rounder. Compact relay modules, 12.8 mm width with extensive accessories, maximum vibration resistance, and unlimited cross-connection possibilities.

- 2 CO contacts
- Contact material: AgNi
- Integrated status LED for easy function testing
- Unique multi-voltage input from 12 to 60 V UC and 24 to 230 V UC
- Input voltages from 5 V DC to 230 V UC with colored markings: AC: red, DC: blue, UC: white

General ordering data

| | |
|------------|---|
| Version | TERMSERIES-compact, Relay module, Number of contacts: 2, x 1 CO Contact AgNi, Rated control voltage: 24...230 V UC $\pm 10\%$, Continuous current: 6 A, PUSH IN, Test button available: No |
| Order No. | 2773880000 |
| Type | TRPL 24-230VUC 2CO |
| GTIN (EAN) | 406467503765 1 |
| Qty. | 10 items |

TRPL 24-230VUC 2CO

Weidmüller Interface GmbH & Co. KG

Klingenbergstraße 26

D-32758 Detmold

Germany

www.weidmueller.com

Technical data

Approvals

Approvals



UL File Number Search [UL Website](#)
 Certificate no. (cULus) E141197

Dimensions and weights

| | | | |
|------------|---------|-----------------|-------------|
| Depth | 62.5 mm | Depth (inches) | 2.4606 inch |
| Height | 89.4 mm | Height (inches) | 3.5197 inch |
| Width | 12.8 mm | Width (inches) | 0.5039 inch |
| Net weight | 53.5 g | | |

Temperatures

| | | | |
|-----------------------|----------------|---------------------|---|
| Storage temperature | -40 °C...85 °C | Ambient temperature | -40 °C...60 °C |
| Operating temperature | | Humidity | 5-85% relative humidity, Tu = 40°C, without condensation |

Environmental Product Compliance

| | |
|--------------------------------------|--------------------------------------|
| RoHS Compliance Status | Compliant with exemption |
| RoHS Exemption (if applicable/known) | 7a, 7cl |
| REACH SVHC | Lead 7439-92-1 |
| SCIP | 9e2cbc49-76d9-4611-b8ec-5b4f549a0aa9 |

Rated data UL

| | | | |
|------------------------------------|--------|------------------------------------|--------|
| Connection cross-section AWG, min. | AWG 26 | Connection cross-section AWG, max. | AWG 14 |
| Pollution severity level | 2 | | |

Control side

| | | | |
|-----------------------|------------------------------------|------------------|--------------------------------------|
| Rated control voltage | 24...230 V UC ±10 % | Rated current AC | 19.3 mA @ 24 V AC, 2.5 mA @ 230 V AC |
| Rated current DC | 9.6mA @ 24 V DC, 1.1 mA @ 230 V DC | Power rating | 230 mW @ 24 V DC, 253 mVA @ 230V DC |
| Coil resistance | 3388 Ω ± 10 % | Status indicator | Green LED |
| Protective circuit | Rectifier | | |

Load side

| | | | |
|---|---|---|--------------------------------------|
| Rated switching voltage | 250 V AC | Continuous current | 6 A |
| Max. switching frequency at rated load | 0.1 Hz | Max. switching voltage, AC | 250 V |
| Max. switching voltage, DC | 250 V | Inrush current | 20 A / 20 ms |
| AC switching capacity (resistive), max. | 1500 VA | DC switching capacity (resistive), max. | 144W @ 24 V |
| Contact type | 2 x 1 CO Contact (AgNi) | Mechanical service life | 5 x 10 ⁶ switching cycles |
| Min. switching power | 1 mA @ 24 V, 10 mA @ 12 V, 100 mA @ 5 V | | |

TRPL 24-230VUC 2CO

Weidmüller Interface GmbH & Co. KG

Klingenbergstraße 26
D-32758 Detmold
Germany

www.weidmueller.com

Technical data

General data

| | | | |
|-----------------------|---------------------------|--------------------------------------|-------|
| Operating altitude | ≤ 2000 m, above sea level | Mounting rail | TS 35 |
| Test button available | No | Mechanical switch position indicator | No |
| Colour | black | | |

Insulation coordination

| | | | |
|---|-----------------------|--|------------------|
| Pollution severity | 2 | Surge voltage category | III |
| Clearance and creepage distances for control side - load side | ≥ 6 mm | Dielectric strength for control side - load side | 4 kVeff / 1 Min. |
| Type of isolation at input and output | reinforced insulation | Dielectric strength of neighbouring contacts | 4 kVeff / 1 min |
| Type of isolation at neighbouring contacts | reinforced insulation | Dielectric strength of open contact | 1 kVeff / 1 min |
| Dielectric strength to mounting rail | 4 kVeff / 1 Min. | Impulse withstand voltage | 6 kV (1.2/50 µs) |
| Protection degree | IP20 | | |

Further details of approvals / standards

| | |
|-------------------------|---------|
| Certificate no. (cULus) | E141197 |
|-------------------------|---------|

Connection data

| | | | |
|---|---------------------|---|----------------------|
| Wire connection method | PUSH IN | Stripping length, rated connection | 9 mm |
| Clamping range, rated connection | 1.5 mm ² | Clamping range, min. | 0.14 mm ² |
| Clamping range, max. | 2.5 mm ² | Wire connection cross section AWG, min. | AWG 26 |
| Wire connection cross section AWG, max. | AWG 14 | Wire cross-section, solid, min. | 0.5 mm ² |
| Wire cross-section, solid, max. | 1.5 mm ² | Wire cross-section, solid, min. (AWG) | AWG 26 |
| Wire cross-section, solid, max. (AWG) | AWG 14 | Wire connection cross section, finely stranded, min. | 0.35 mm ² |
| Wire connection cross section, finely stranded, max. | 2.5 mm ² | Wire cross-section, finely stranded, min. (AWG) | AWG 26 |
| Wire cross-section, finely stranded, max. (AWG) | AWG 14 | Wire connection cross-section, finely stranded with wire-end ferrules DIN 46228/4, min. | 0.14 mm ² |
| Wire connection cross-section, finely stranded with wire-end ferrules DIN 46228/4, max. | 1.5 mm ² | Conductor cross-section, flexible, AEH (DIN 46228-1), min. | 0.5 mm ² |
| Conductor cross-section, flexible, AEH (DIN 46228-1), max. | 1.5 mm ² | Blade size | 0.6 x 3.5 mm |

Classifications

| | | | |
|-------------|-------------|-------------|-------------|
| ETIM 8.0 | EC001437 | ETIM 9.0 | EC001437 |
| ETIM 10.0 | EC001437 | ECLASS 14.0 | 27-37-16-01 |
| ECLASS 15.0 | 27-37-16-01 | | |

TRPL 24-230VUC 2CO

Weidmüller Interface GmbH & Co. KG
 Klingenbergstraße 26
 D-32758 Detmold
 Germany

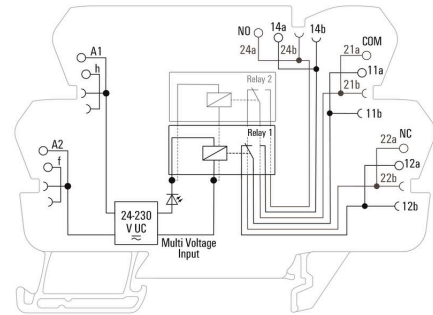
www.weidmueller.com

Drawings

Similar to illustration



Wiring diagram



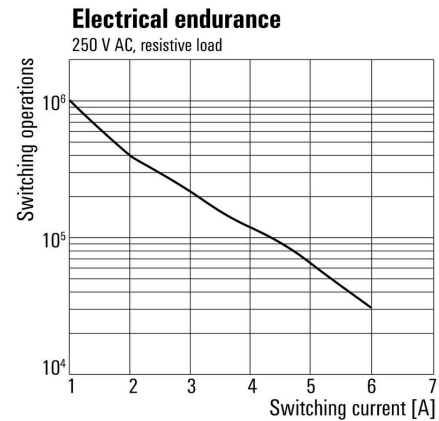
*This switch controls two Relays

Graph



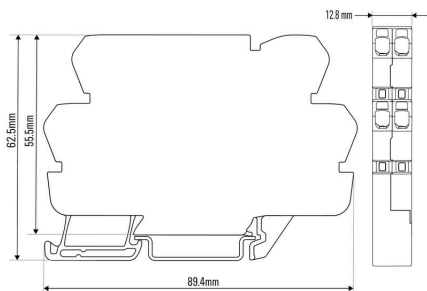
DC load limit curve Resistive load

Graph

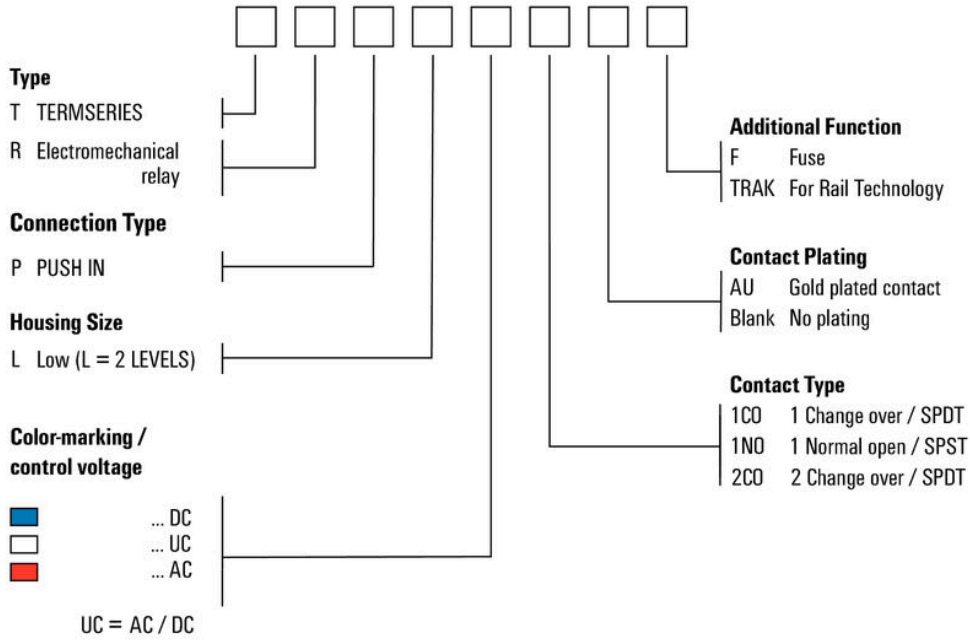


Electrical service life 230 V AC resistive load

Dimensional drawing



Type code electromechanical relay



Type codes