

KLIPPON STB 2.1 MS HT

Weidmüller Interface GmbH & Co. KG

Klingenbergstraße 26

D-32758 Detmold

Germany

www.weidmueller.com



Ideally suited for the energy, process and transportation industries, the Klippon® STB enclosure series is the perfect complement to our existing Klippon® enclosure portfolio. Enclosures in this series are approved according to international standards such as e.g. the Lloyds Register and EN62208.

- Sheet steel 1.0330, powder-coated in RAL 7032
- Comes with a standard seal that is resistant to high temperatures - extended temperature range of -60°C to +120°C
- Approved according to Lloyds Register
- Flexible options for fastening the internal mounting rail
- IP66 protection
- Secure, permanent function of the seal is ensured by seal compression protection
- Earthing stud in the cover and base of the enclosure
- Laser cut weld seams for increased quality
- Already welded-on mounting feet guarantee optimum enclosure installation

Weidmüller can manufacture and supply this enclosure - according to customer specifications - fitted with all necessary terminals and cable glands.

General ordering data

| | |
|------------|--|
| Version | Klippon STB (Small Terminal Box), Empty enclosure, Sheet steel enclosure, Height: 190 mm, Width: 150 mm, Depth: 90 mm, Basic material: Sheet steel, Powder-coated, Pebble grey |
| Order No. | 1025010000 |
| Type | KLIPPON STB 2.1 MS HT |
| GTIN (EAN) | 4032248745227 |
| Qty. | 1 items |

KLIPPON STB 2.1 MS HT

Weidmüller Interface GmbH & Co. KG
Klingenbergstraße 26
D-32758 Detmold
Germany

www.weidmueller.com

Technical data

Approvals

Approvals



ROHS Conform

Dimensions and weights

| | | | |
|----------------------------|--------|-----------------|-------------|
| Depth | 90 mm | Depth (inches) | 3.5433 inch |
| Height | 190 mm | Height (inches) | 7.4803 inch |
| Width | 150 mm | Width (inches) | 5.9055 inch |
| Mounting dimension - width | 175 mm | Net weight | 2020 g |

Temperatures

Operating temperature -60 °C... 120 °C

Environmental Product Compliance

RoHS Compliance Status Compliant without exemption
REACH SVHC No SVHC above 0.1 wt%

Cable glands, left

| | | | |
|-----|----|-----|---|
| M12 | 15 | M50 | 1 |
| M16 | 10 | M32 | 3 |
| M25 | 3 | M20 | 8 |
| M40 | 2 | | |

Cable glands, right

| | | | |
|-----|----|-----|----|
| M25 | 3 | M16 | 10 |
| M40 | 2 | M50 | 1 |
| M32 | 3 | M20 | 10 |
| M12 | 18 | | |

Cable glands, top/bottom

| | | | |
|-----|----|-----|----|
| M20 | 8 | M12 | 15 |
| M40 | 2 | M32 | 3 |
| M25 | 3 | M50 | 1 |
| M16 | 10 | | |

Certificate numbers enclosure

Declaration of Conformity No. (DoC LVD) DE PS2620 160412 002ISS02 Certificate No. (LLOYDSREG) LR23307703TA
Approval conditions LR

General information

Material thickness of cover 1.5 mm Material thickness of enclosure 1.5 mm
Operating temperature, max. 120 °C Operating temperature, min. -60 °C

KLIPPON STB 2.1 MS HT

Weidmüller Interface GmbH & Co. KG
 Klingenbergstraße 26
 D-32758 Detmold
 Germany

www.weidmueller.com

Technical data

| | | | |
|----------------------|--|------------------------|-----------------------------|
| Lid attachment | M5 hexagonal screw with slot and 10mm distance across flats | Standards | DIN 4102-12 |
| Surface finish | Powder-coated | Impact resistance | 10 J version standard |
| Protection degree | IP66 | Basic material | Sheet steel |
| Seal material | Silicone | Integral fixing | TAS 20 rail welded to floor |
| Enclosure attachment | Welded-on mounting foot with 8-mm holes | Protection class (UL) | Type 4, Type 4X |
| Number of lid screws | 4 | Access opening: width | 130 mm |
| Flange plate | No | Max. payload | 19.95 kg |
| Lid | Yes | Access opening: height | 172 mm |
| Areas of use | Transportation, Marine engineering, Process industry, Packaging industry | | |

Housing earth

| | | | |
|----------------------------|---|----------------------------|--|
| Cross-section , max. | 25 mm ² | Earth, enclosure, cover | Welded-on M6 x 10 stainless-steel earth stud |
| Earth, enclosure, external | Welded-on M6 x 16 stainless-steel bolts | Earth, enclosure, internal | Welded-on M6 x 16 stainless-steel bolts |

vertical assembly

| | | | |
|-----------------------------|------|-----------------|------|
| WDU 10 / ZDU 10 | 1x15 | WDU 16 / ZDU 16 | 1x13 |
| WDU 2,5 / ZDU 2,5 / IDU 2,5 | 1x30 | WDU 4 / ZDU 4 | 1x25 |
| WDU 6 / ZDU 6 | 1x20 | | |

Important note

Product information The fire rating up to E90 acc. to DIN 4102-12 depends on concrete configurations / installations (details see "Declaration of Manufacturer" in "Downloads")

Classifications

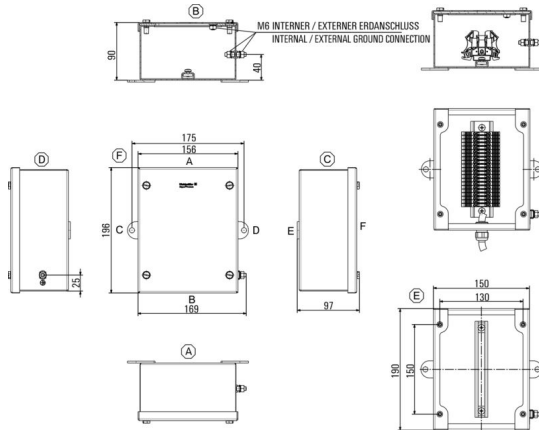
| | | | |
|-------------|-------------|-------------|-------------|
| ETIM 8.0 | EC000261 | ETIM 9.0 | EC000261 |
| ETIM 10.0 | EC000261 | ECLASS 14.0 | 27-18-01-01 |
| ECLASS 15.0 | 27-18-01-01 | | |

KLIPPON STB 2.1 MS HT

Weidmüller Interface GmbH & Co. KG
Klingenbergstraße 26
D-32758 Detmold
Germany

Drawings

Dimensioned drawing



KLIPPON STB 2.1 MS HT

Weidmüller Interface GmbH & Co. KG
 Klingenbergstraße 26
 D-32758 Detmold
 Germany

www.weidmueller.com

Accessories

Terminal rails - TS35



The system accessories for the Klippon® STB enclosure series allows you to easily adapt the enclosures to meet the specific requirements of every application.

- DIN Rails TS 35
- Mounting screws

Weidmüller can manufacture and supply this enclosure - according to customer specifications - fitted with all necessary terminals and cable glands.

General ordering data

| Type | SFNS5 VKMU M5 SW15 | Version |
|------------|----------------------------|--|
| Order No. | 0433500000 | Klippon STB (Small Terminal Box), Fixing nut, Square, Height: 15 mm, |
| GTIN (EAN) | 4008190494520 | Width: 15 mm, Depth: 11.7 mm, Basic material: Steel, galvanized, |
| Qty. | 20 ST | galvanized, silver |

Grounding strap

The fully structured range of system accessories for the new Klippon® TB enclosure series allows you to easily adapt the enclosures to meet the specific requirements of every application. The following options are available:

- Closure Elements
- Document holders
- Earthing stud
- Gland plates
- Installation material
- Mounting plates
- Rain hoods
- Spacer
- Terminal rails
- Type label holder

General ordering data

| Type | PECD WIRE 6/200/D6 SET | Version |
|------------|----------------------------|---|
| Order No. | 2475490000 | Klippon TB (Terminal Box), Grounding strap, Sscrewed, Basic material: |
| GTIN (EAN) | 4050118487206 | Steel, Green/yellow |
| Qty. | 1 ST | |

Ventilation plugs - DAE



In addition to cable glands for a wide range of applications, the product portfolio is rounded off by plugs, pressure compensation elements, adaptors and the corresponding accessories such as locknuts, sealing rings, flat washers and earthing rings.

KLIPPON STB 2.1 MS HT

Weidmüller Interface GmbH & Co. KG
 Klingenbergstraße 26
 D-32758 Detmold
 Germany

www.weidmueller.com

Accessories

General ordering data

| | | |
|------------|----------------------------|---|
| Type | DAE M12 SS | Version |
| Order No. | 1868550000 | DAE (ventilation element), Compensating element, straight, M 12, 10 |
| GTIN (EAN) | 4032248440405 | mm, IP66, IP68, IP69K, Stainless steel 1.4305 (303) |
| Qty. | 10 ST | |
| Type | DAE M12 PA LONG | Version |
| Order No. | 1868570000 | DAE (ventilation element), Compensating element, straight, M 12, 10 |
| GTIN (EAN) | 4032248440429 | mm, IP66, IP68, IP69K, Polyamide 6 |
| Qty. | 10 ST | |

Terminal rails - TS35



The system accessories for the Klippon® STB enclosure series allows you to easily adapt the enclosures to meet the specific requirements of every application.

- DIN Rails TS 35
- Mounting screws

Weidmüller can manufacture and supply this enclosure - according to customer specifications - fitted with all necessary terminals and cable glands.

General ordering data

| | | |
|------------|----------------------------|---|
| Type | TS35X7.5 ST STB 2.1 STB... | Version |
| Order No. | 1567660000 | Rail, TS 35, TS 35 x 7.5, Width: 150 mm, without slot, Steel, galvanic |
| GTIN (EAN) | 4008190084868 | zinc plated and passivated |
| Qty. | 100 ST | |
| Type | TS35X15 ST STB 2.1 STB 3 | Version |
| Order No. | 8000073219 | Rail, TS 35, TS 35 x 15, Width: 150 mm, with slot, Steel, galvanic zinc |
| GTIN (EAN) | 4064675356776 | plated and passivated |
| Qty. | 20 ST | |