

SAI-8-M 5P M12 OL2**Weidmüller Interface GmbH & Co. KG**

Klingenbergstraße 26

D-32758 Detmold

Germany

www.weidmueller.com



M12 distributors are available in various versions. The 4, 6 or 8 M12 slots are in 4 or 5 pole design. The group outlet is designed as a fixed cable version, hood version for connection by the user, or with M23. Special versions are also available. For instance, there are 1-to-1 distributors for use with any connection types, or distributors approved for Ex Zone 1.

General ordering data

Version	Hood distributor, M12, 30 V, A-coded, LED: No, LED initiator: No, Wiring type: PNP
Order No.	1816610000
Type	SAI-8-M 5P M12 OL2
GTIN (EAN)	4032248308002
Qty.	1 items

SAI-8-M 5P M12 OL2

Weidmüller Interface GmbH & Co. KG

Klingenbergstraße 26

D-32758 Detmold

Germany

www.weidmueller.com

Technical data

Approvals

ROHS Conform

Dimensions and weights

Depth	152 mm	Depth (inches)	5.9842 inch
Height	41.5 mm	Height (inches)	1.6339 inch
Width	60 mm	Width (inches)	2.3622 inch
Net weight	270 g		

Temperatures

Operating temperature -20 - 90°C

Environmental Product Compliance

RoHS Compliance Status Compliant without exemption
 REACH SVHC No SVHC above 0.1 wt%

Connection data

Conductor O.D., min.	6 mm	Conductor O.D., max.	12 mm
Sheathing stripping length	100 mm	Cable gland	M 20
Clamping range, min.	0.08 mm ²	Clamping range, max.	1.5 mm ²
Wire connection cross section AWG, min.	AWG 28	Wire connection cross section AWG, max.	AWG 14
Solid, min. H05(07) V-U	0.2 mm ²	Solid, max. H05(07) V-U	1.5 mm ²
Flexible, min. H05(07) V-K	0.2 mm ²	Flexible, max. H05(07) V-K	1.5 mm ²
w. plastic collar ferrule, DIN 46228 pt 4, 0.2 mm ² min.		w. plastic collar ferrule, DIN 46228 pt 4, 1.5 mm ² max.	
w. wire end ferrule, DIN 46228 pt 1, min.	0.2 mm ²	w. wire end ferrule, DIN 46228 pt 1, max.	1.5 mm ²
Storage space	Standard	Distributor outlet	Hood distributor

Electrical data

Rated voltage, min.	10 V	Rated voltage, max.	30 V
Test voltage	1 kV	Max. current-carrying capacity per slot	4 A
Total current	10 A	Current per signal	2 A
Electrical isolation available	Yes	Insulation resistance	109 Ω

General technical data

Protection degree	IP68	Plug-in station coding	A-coded
Number of poles	5	Number of contact sockets	8
Connection thread	M12	Pollution severity	3
Fire behaviour	V-0	Plugging cycles	≤ 50
LED	No	LED initiator	No

Material data

Housing main material	Pocan	Material of distributor	Plastic
Housing colour	grey, RAL 7032	Hood sealing material	Viton
Screw socket	Nickel-plated CuZn	Contact material	CuZn
Contact surface	Gold-plated	Contact carrier material	PBT (UL 94 V0)

SAI-8-M 5P M12 OL2

Weidmüller Interface GmbH & Co. KG
Klingenbergstraße 26
D-32758 Detmold
Germany

www.weidmueller.com

Technical data**Technical data cable**

Number of poles	5	Conductor O.D., max.	12 mm
Conductor O.D., min.	6 mm	Suitable for cable carriers	No

Classifications

ETIM 8.0	EC003558	ETIM 9.0	EC003558
ETIM 10.0	EC003558	ECLASS 14.0	27-44-01-11
ECLASS 15.0	27-44-01-11		

SAI-8-M 5P M12 OL2

Weidmüller Interface GmbH & Co. KG
 Klingenbergstraße 26
 D-32758 Detmold
 Germany

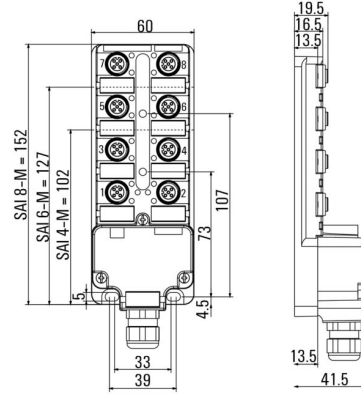
Drawings

www.weidmueller.com

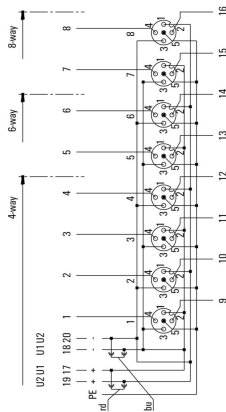
Similar to illustration



Dimensioned drawing



Wiring diagram



SAI-8-M 5P M12 OL2

Weidmüller Interface GmbH & Co. KG

Klingenbergstraße 26

D-32758 Detmold

Germany

www.weidmueller.com

Accessories

M12



Protective caps protect unassigned plug-in stations against external influences.

General ordering data

Type	SAI-SK-M12	Version	
Order No.	9456050000	Protected component assemblies, Protective cap	
GTIN (EAN)	4008190304058		
Qty.	30 ST		

Screwty® cable gland tool with torque function



The ideal tool for any application
Screwty® is the ideal, all-purpose tool for tightening all common sensor and actuator cables. Even difficult-to-reach round plugs are accessible using the Screwty®. A simple turning movement tightens and loosens the connectors without the need for excessive force. The Screwty® is a unique and global solution since it fits with most cables and plugs from other vendors (over 90 %). The Screwty® consists of a handle with a conventional 1/4" adapter. Thus it can be used for all sizes: for M12 and M8 round plug-in connectors, and for M12F and M8F customisable plugs and sockets, as well as for all M23 plugs and sockets.

General ordering data

Type	SCREWTY SET -DM	Version	
Order No.	1920000000	Cable gland tool for M8, M12 lines and connectors	
GTIN (EAN)	4032248436859		
Qty.	1 ST		

SAI-8-M 5P M12 OL2

Weidmüller Interface GmbH & Co. KG
 Klingenbergstraße 26
 D-32758 Detmold
 Germany

www.weidmueller.com

Accessories

Blank



ESG is the tried-and-tested marker in MultiCard format for use on many well-known electrical devices. The result is high-quality device marking with a high-contrast appearance.

Various types are available for devices from manufacturers like Siemens, ABB, Beckhoff etc.

Advantages at a glance:

- Tags for universal usage, self-adhesive or clip-on tags, depending on type
- For aligned equipment, e.g. circuit breakers, we supply ESG markers for clipping onto tag rails
- Individual laser-quality printing according to specifications

For custom printing: Please send us a file of our labeling software M-Print PRO or M-Print PRO Online (without installation) for your labeling specifications.

General ordering data

Type	ESG 9/20 MC NE WS	Version	
Order No.	1609940000	ESG, Device markers x 20 mm, PA 66, Colour: white, pluggable	
GTIN (EAN)	4008190203528		
Qty.	200 ST		

Bus cables for the SAI hooded distributor and M23



Weidmüller can supply suitable bus lines for customising. All bus cables are suitable for moving cable carriers and are available by the metre. The colour coding of the lines corresponds to the standard in mechanical engineering. The connection hoods of the M12 distributor always have the same number of terminals so that only one type of cable is necessary.

Advantages of bus cables supplied by the metre:

- Special lengths for bus cables
- No cable waste
- No storage space required for different cable lengths
- Also available in specific lengths.

General ordering data

Type	SAIH-SLL-3X0.75-16X0.34	Version	
Order No.	9457560000	Distribution line, Shielded: No, LED: No, Sheath material: PUR,	
GTIN (EAN)	4008190311506	Halogen: No	
Qty.	100 M		