

SAIE-M12B-CD-1.0U**Weidmüller Interface GmbH & Co. KG**

Klingenbergstraße 26

D-32758 Detmold

Germany

www.weidmueller.com



Various build-in connectors are required for the connections on the device side of the sensor/actuator cabling. These are available in the versions M12, M8 and M5.

General ordering data

Version	Built-in plugs, M12, Female socket, straight, PG 9, Number of poles: 5, 1 m
Order No.	1436710100
Type	SAIE-M12B-CD-1.0U
GTIN (EAN)	4050118244458
Qty.	1 items

SAIE-M12B-CD-1.0U

Weidmüller Interface GmbH & Co. KG
 Klingenbergstraße 26
 D-32758 Detmold
 Germany

www.weidmueller.com

Technical data

Approvals

ROHS	Conform
------	---------

Dimensions and weights

Net weight	80 g
------------	------

Environmental Product Compliance

RoHS Compliance Status	Compliant with exemption
RoHS Exemption (if applicable/known)	6c
REACH SVHC	Lead 7439-92-1
SCIP	bd63baef-8092-4596-90c7-5b4daa22710b

Technical specifications for cable

Cable length	1 m	Sheathing colour	violet
PE function	No	Bending radius, min., moving	10 x cable diameter
Bending radius, min., stationary	5 x cable diameter	Strand / cable length	1 m
Sheath material	PUR halogen-free	Number of poles	5

Technical data customisable plug-in connectors

Number of poles	5	Coding	A-coded
Contact surface	Gold-plated	Cable diameter, max.	7.5 mm
Cable diameter, min.	6.9 mm	Nominal voltage	125 V
Nominal current	4 A	Protection degree	IP68
Pollution severity	3	Cable gland	PG 9
Temperature range of housing	-5 ... +70 °C		

Standards

Connector standard	IEC 61076-2-101
--------------------	-----------------

Classifications

ETIM 8.0	EC003570	ETIM 9.0	EC003570
ETIM 10.0	EC003570	ECLASS 14.0	27-44-01-03
ECLASS 15.0	27-44-01-03		

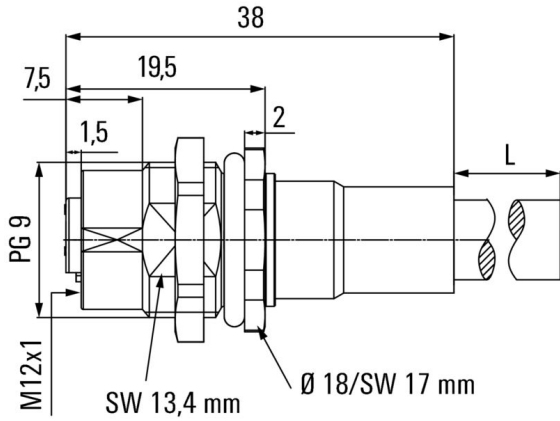
SAIE-M12B-CD-1.0U

Weidmüller Interface GmbH & Co. KG
Klingenbergstraße 26
D-32758 Detmold
Germany

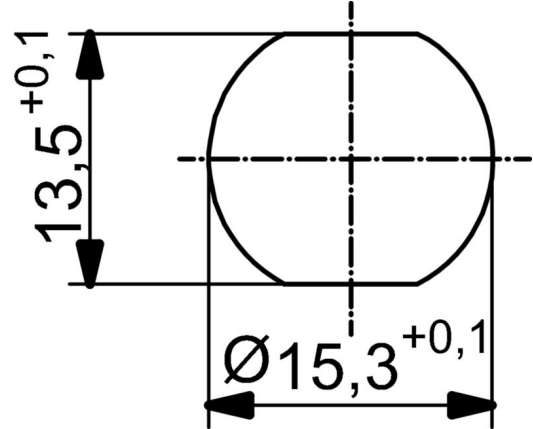
www.weidmueller.com

Drawings

Dimensioned drawing



Detailed drawing



Wiring diagram

